

## 2 EURO / 2 EUROINOX SETS WITH 2 HORIZONTAL MULTISTAGE EURO



**CE** Booster set with 2 EURO centrifugal pumps complete with baseplate, suction and delivery manifold, 2 membrane vessels and control panel supplied complete with: Automatic inverter for exchanging the order of pump starting at each start-up

### MAIN SWITCH.

Float or pressure switch can be inserted as protection against operation without water.

Low voltage auxiliary circuit complete with transformer and fuse.

**The units are supplied with tanks and with air connector**

**motralec**

4 rue Lavoisier . ZA Lavoisier . 95223 HERBLAY CEDEX  
Tel. : 01.39.97.65.10 / Fax. : 01.39.97.68.48  
Demande de prix / e-mail : [service-commercial@motralec.com](mailto:service-commercial@motralec.com)

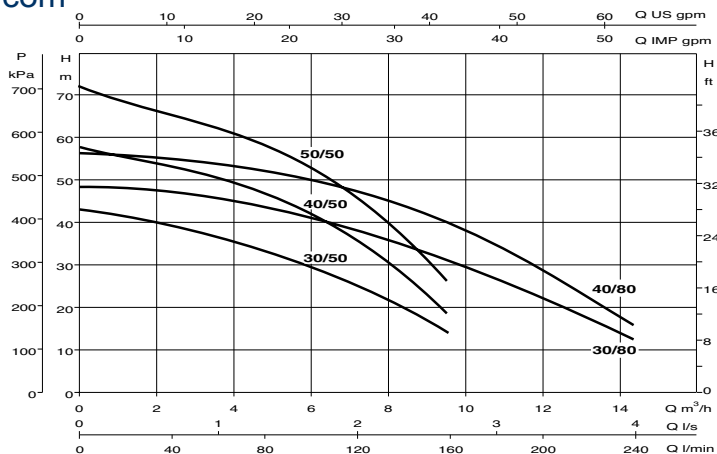
[www.motralec.com](http://www.motralec.com)

## TECHNICAL DATA

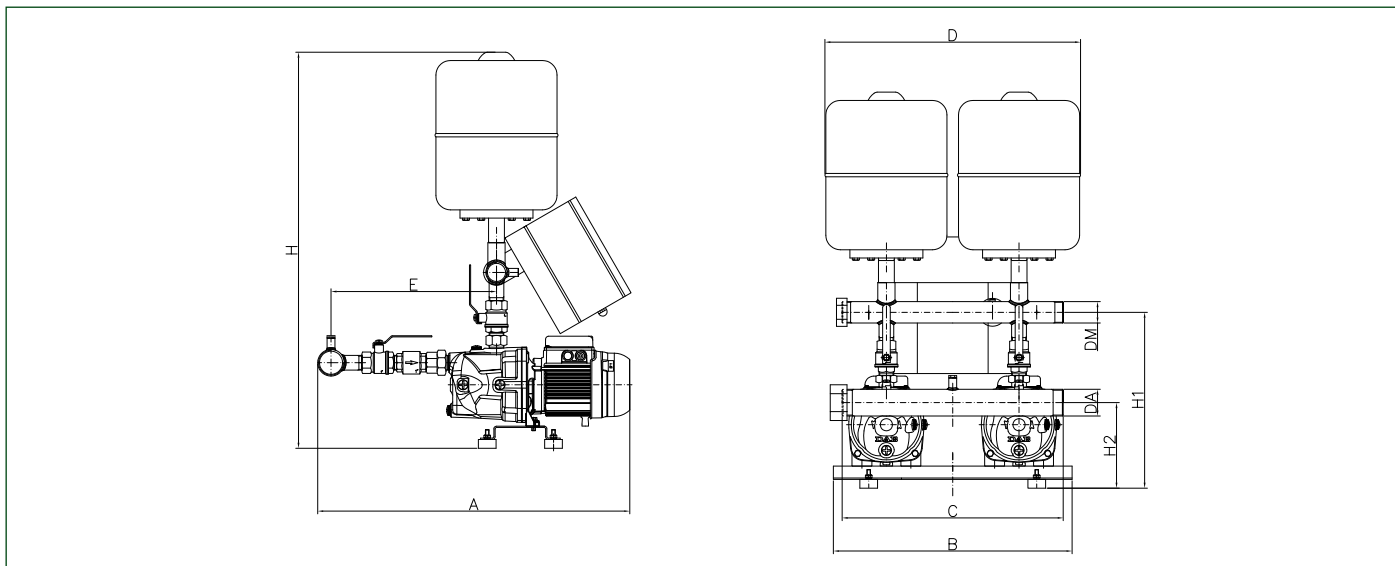
MODEL	CODE	ELECTRICAL DATA				MAX PRESSURE OBTAINABLE BAR	PRESSURE SWITCH SETTING IN BAR
		VOLTAGE 50 Hz	P2 NOMINAL		In A		
			KW X2	HP X 2			
2 EURO 30/50 M	500127100	1 X 230 V ~	0,55	0,75	2x3,9	3,8	2÷3,3
2 EURO 30/50 T	500127600	3 X 400 V ~	0,55	0,75	2x1,6	3,8	2÷3,3
2 EURO 40/50 M	500127150	1 X 230 V ~	0,75	1	2x5,3	5,3	3÷4,5
2 EURO 40/50 T	500127650	3 X 400 V ~	0,75	1	2x2,2	5,3	3÷4,5
2 EURO 50/50 M	500127200	1 X 230 V ~	1	1,36	2x6,3	6,5	4÷5,5
2 EURO 50/50 T	500127700	3 X 400 V ~	1	1,36	2x2,5	6,5	4÷5,5
2 EURO 30/80 M	500127250	1 X 230 V ~	0,8	1,1	2x5,3	4,3	2,5÷3,8
2 EURO 30/80 T	500127750	3 X 400 V ~	0,8	1,1	2x2,2	4,3	2,5÷3,8
2 EURO 40/80 M	500127300	1 X 230 V ~	1	1,36	2x6,3	5,5	3,8÷5,2
2 EURO 40/80 T	500127800	3 X 400 V ~	1	1,36	2x2,5	5,5	3,8÷5,2

MODEL	CODE	ELECTRICAL DATA				MAX PRESSURE OBTAINABLE BAR	PRESSURE SWITCH SETTING IN BAR
		VOLTAGE 50 Hz	P2 NOMINAL		In A		
			KW X2	HP X 2			
2 EUROINOX 30/50 M	500128100	1 X 230 V ~	0,55	0,75	2x3,9	3,8	2÷3,3
2 EUROINOX 30/50 T	500128600	3 X 400 V ~	0,55	0,75	2x1,6	3,8	2÷3,3
2 EUROINOX 40/50 M	500128150	1 X 230 V ~	0,75	1	2x5,3	5,3	3÷4,5
2 EUROINOX 40/50 T	500128650	3 X 400 V ~	0,75	1	2x2,2	5,3	3÷4,5
2 EUROINOX 50/50 M	500128200	1 X 230 V ~	1	1,36	2x6,3	6,5	4÷5,5
2 EUROINOX 50/50 T	500128700	3 X 400 V ~	1	1,36	2x2,5	6,5	4÷5,5
2 EUROINOX 30/80 M	500128250	1 X 230 V ~	0,8	1,1	2x5,3	4,3	2,5÷3,8
2 EUROINOX 30/80 T	500128750	3 X 400 V ~	0,8	1,1	2x2,2	4,3	2,5÷3,8
2 EUROINOX 40/80 M	500128300	1 X 230 V ~	1	1,36	2x6,3	5,5	3,8÷5,2
2 EUROINOX 40/80 T	500128800	3 X 400 V ~	1	1,36	2x2,5	5,5	3,8÷5,2

The set is supplied assembled, tested, in a strong carton on a wooden pallet complete with instruction leaflet and wiring diagram.  
Available on request the 3x230 V version



**DIMENSIONS AND WEIGHTS**



MODEL	A	B	C	D	E	H	H1	H2	Ø MANIFOLD		WEIGHT Kg
									SUCTION	DELIVERY	
2 EURO 30/50 M	755	540	500	578	415	890	402	194	2"	1 1/2"	57
2 EURO 30/50 T	755	540	500	578	415	890	402	194	2"	1 1/2"	57
2 EURO 40/50 M	755	540	500	578	415	890	402	194	2"	1 1/2"	57
2 EURO 40/50 T	755	540	500	578	415	890	402	194	2"	1 1/2"	57
2 EURO 50/50 M	755	540	500	578	415	890	402	194	2"	1 1/2"	57
2 EURO 50/50 T	755	540	500	578	415	890	402	194	2"	1 1/2"	58
2 EURO 30/80 M	755	540	500	578	415	890	402	194	2"	1 1/2"	57
2 EURO 30/80 T	755	540	500	578	415	890	402	194	2"	1 1/2"	57
2 EURO 40/80 M	755	540	500	578	415	890	402	194	2"	1 1/2"	57
2 EURO 40/80 T	755	540	500	578	415	890	402	194	2"	1 1/2"	58
2 EUROINOX 30/50 M	760	540	500	578	450	830	420	194	2"	1 1/2"	57
2 EUROINOX 30/50 T	760	540	500	578	450	830	420	194	2"	1 1/2"	57
2 EUROINOX 40/50 M	760	540	500	578	450	830	420	194	2"	1 1/2"	57
2 EUROINOX 40/50 T	760	540	500	578	450	830	420	194	2"	1 1/2"	57
2 EUROINOX 50/50 M	760	540	500	578	450	830	420	194	2"	1 1/2"	56
2 EUROINOX 50/50 T	760	540	500	578	450	830	420	194	2"	1 1/2"	58
2 EUROINOX 30/80 M	760	540	500	578	450	830	420	194	2"	1 1/2"	57
2 EUROINOX 30/80 T	760	540	500	578	450	830	420	194	2"	1 1/2"	57
2 EUROINOX 40/80 M	760	540	500	578	450	830	420	194	2"	1 1/2"	56
2 EUROINOX 40/80 T	760	540	500	578	450	830	420	194	2"	1 1/2"	58