

Submersible pumps for waste water containing solids. Spherical clearance 35 mm.

TP 35

Application

HOMA TP series pumps are suitable for pumping drainage water or waste water. With their 35 mm spherical clearance they are especially able to pump liquids with larger suspended solids like fibres, textiles etc. They are used for various applications in public and private sector, trade and industry

DIN EN 12050-2: Conformity and design approved and controlled by LGA.

Installation: Transportable or permanent. Models with float switch control for automatic pump operation, depending on liquid level in the sump.

Pumped liquid: Clear water and drainage water, sewage containing soft solids. Max. liquid temperature: 40°C.

Operation: motor submerged: permanent (S1)

Design

Fully submersible, compact integrated motor-pump unit consisting of:

Pump: Single stage centrifugal pump with vertical discharge G2.

Impeller: Vortex impeller for liquids containing a high level of impurities or fibrous matter and containing gas.

Motor: Fully submersible, pressure tight electric motor, oil filled. Insulation class B. Degree of protection IP 68. Thermal monitoring in the winding. Cable:

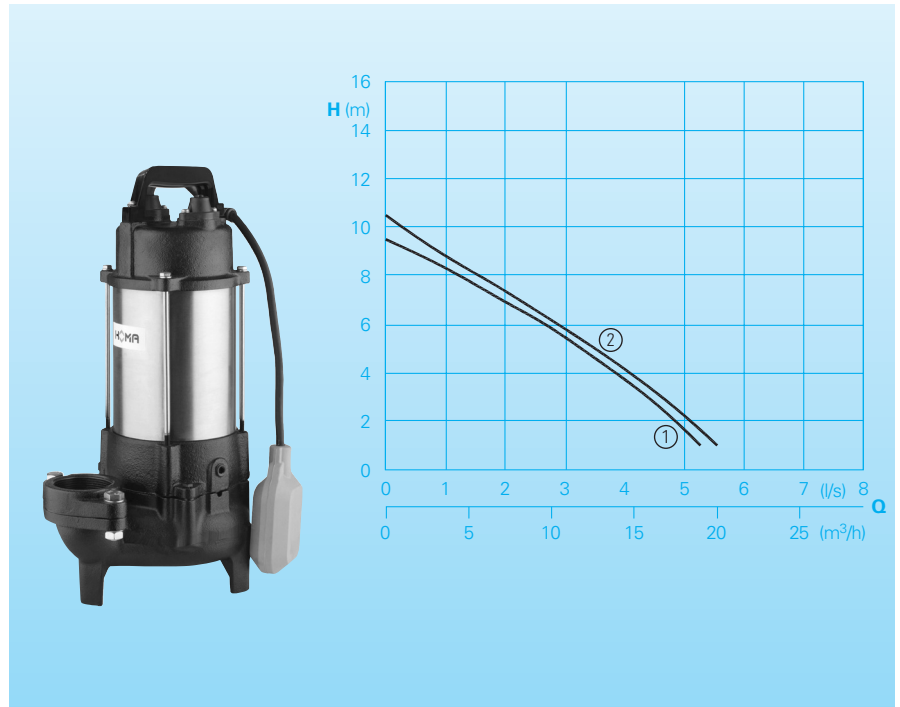
Model W (A): H07 RN - F3 G1

Model D (A): H07 RN - F4 G1

Shaft/Beating: Large diameter stainless rotor shaft, pre-lubricated bearings.

Seals: mechanical seals

Performance



Technical Data

Curve No.	Pump type	Motor P ₁ (kW)	P ₂ (kW)	Speed (rpm)	Nominal current (A)	Spherical clearance (mm)	Weight (kg)
①	TP 35V 07/02 W (A)	0,7	0,4	2780	3,3	35	17,0
①	TP 35V 07/02 D (A)	0,7	0,4	2780	1,3	35	16,0
②	TP 35V 10/02 W (A)	1,1	0,8	2800	5,2	35	19,0
②	TP 35V 10/02 D (A)	1,1	0,8	2800	1,9	35	18,0

Model W: 230-240V/1Ph 50Hz

Model D: 400-415V/3Ph 50Hz

Materials

Pump housing	
Impeller, Motor housing cover	EN-GJL-250
Motor housing	Stainless steel 1.4301
Rotor shaft	Stainless steel
Mechanical seal pump side	SiC/SiC
motor side	carbon/ceramic
Elastomere	NBR
Mechan. connecting parts	Stainless steel

Equipment supplied

Pump with base stand, 10 m of cable.

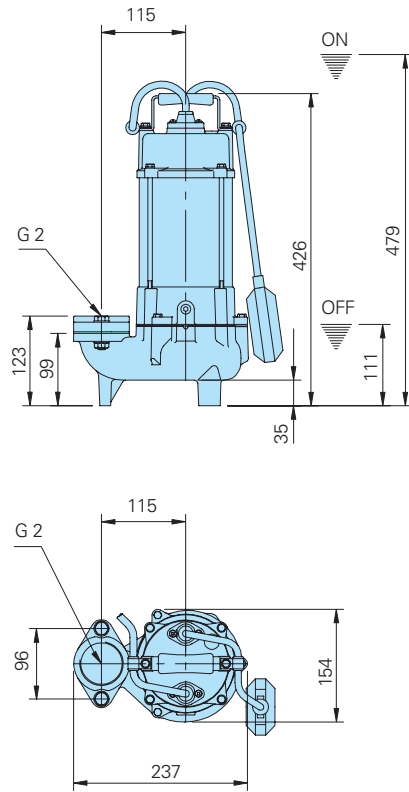
Model W: with plug type F.

Model D: with phase inverter

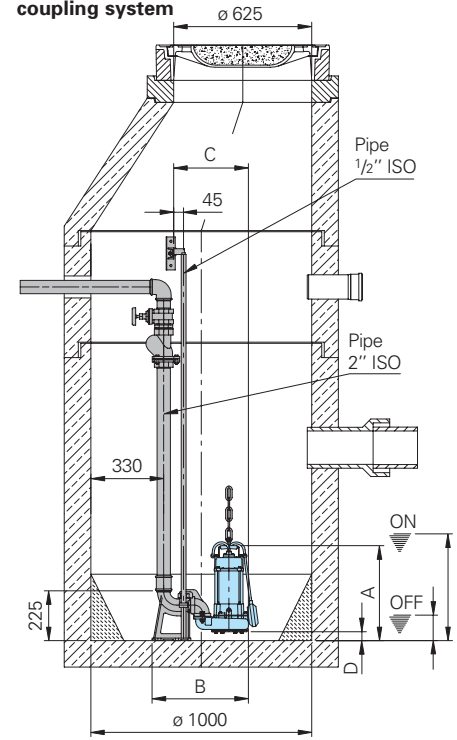
Model A: with automatic level control HOMA-Nivomatik.

Dimensions and Installations (all dimensions in mm)

TP 35 V with base stand

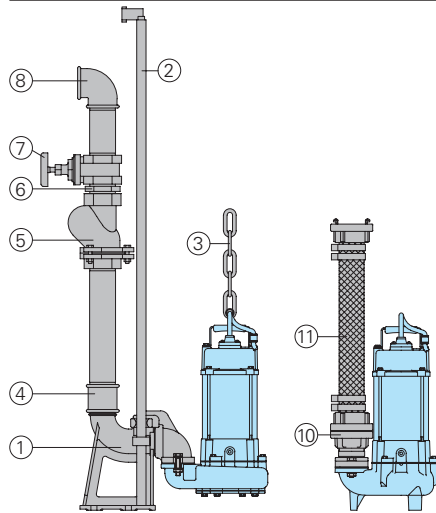


Permanent sump installation with auto-coupling system



Pump type	A	B	C	D	ON	OFF
TP35V.../2W(D)(A)	435	427	329	44	488	120

Accessories



Description	Dimension	Part No.
① Auto-coupling system with flange, upper slide rail bracket and flanged pump coupling BSP 2 KK50VO/45		8604003
○ Auto-coupling system complete or partial in stainless steel	All types	On request
○ Screw-kits for installation of coupling-system		On request
Inter. upper slide rail bracket	Ø 1/2" for KK50	7320271
② Guide rails, pair, per m steel galvanized	Ø 1/2	2190085
stainless steel	Ø 1/2	2190250
③ Pump chain sets, testet. With shackle, One- or Two-strand, different lengths and load capacities		on request
④ Galvanized double nipple	BSP 2 F	2109102
	BSP 2 F/	2102210
	BSP 1 1/2 F	
⑤ Cast iron swing check valve	BSP 1 1/2 F	2212902
	BSP 2 F	2212903

Description	Dimension	Part No.
⑥ Galvanized double nipple	BSP 1 1/2 M	2009020
	BSP 2 M	2009018
⑦ Bronze gate valve	BSP 1 1/2 F	2216015
	BSP 2 F	2216020
⑧ 90° galvanized elbow	BSP 1 1/2 F	2113605
	BSP 2 F	2113606
T-piece for twin-pump arrangement	BSP 1 1/2 F	2114302
	BSP 2 F	2114306
○ Hose coupling	BSP 2" M	
	Ø 50 mm	2001514
⑩ Storz fixed coupling	BSP 2" M	2175030
⑪ Synthetic pressure hose with rubber lining and couplings, C-38 mm Ø		
	length 10 m	2611311
	length 20 m	2611312
	C-52 mm Ø	
	length 10 m	2611210
	length 15 m	2611215
	length 20 m	2611220
	length 30 m	2611230
Reinforced hose, per m	50 mm Ø	2632050
Hose bands	2"	2306009
○ Control panel for single or twin pump stations for automatic operation		On request

Description	Größe	Art.-Nr.
① Auto-coupling system with flange, upper slide rail bracket and flanged pump coupling BSP 2 KK50VO/45		8604003



HOMA Pumpenfabrik GmbH
 P.O.Box 22 63, D-53814 Neunk.-Seelscheid
 Tel. +49 (0) 22 47/702-0, Fax +49 (0) 22 47/702-44
 e-mail: info@homa-pumpen.de
 www.homapumps.com