

**Submersible drainage pumps  
jacket cooled  
for clear water and drainage water.**

**Chromatic® C 225 – C 290**

**Application**

HOMA Chromatic pumps are submersible, jacket cooled drainage pumps for pumping water from basements, cellars, sumps and collection tanks, for pumping discharge from hand basins, showers and washing machines, for flood relief and water removal from water courses or reservoirs.

The water jacket cooled motor with the top discharge protects the motor against overheating even during sip operation.

DIN EN 12050-2: Conformity and design approved and controlled by LGA, certificate No. 0220119.

Installation: Transportable or permanent. Models with float switch control for automatic pump operation, depending on medium level in the sump.

Pumped medium: Clear water or drainage water containing soft solids up to 10 mm spherical clearance.

Max. medium temperature: 35° C, short term up to 60° C.

Operation: Intermittent.

**Design**

Fully submersible, compact integrated motor-pump consisting of:

Pump: Single stage centrifugal pump with vertical discharge BSP 1 1/4". Discharge connection with integrated non-return valve.

Impeller: Open multi-channel impeller, spherical clearance 10 mm.

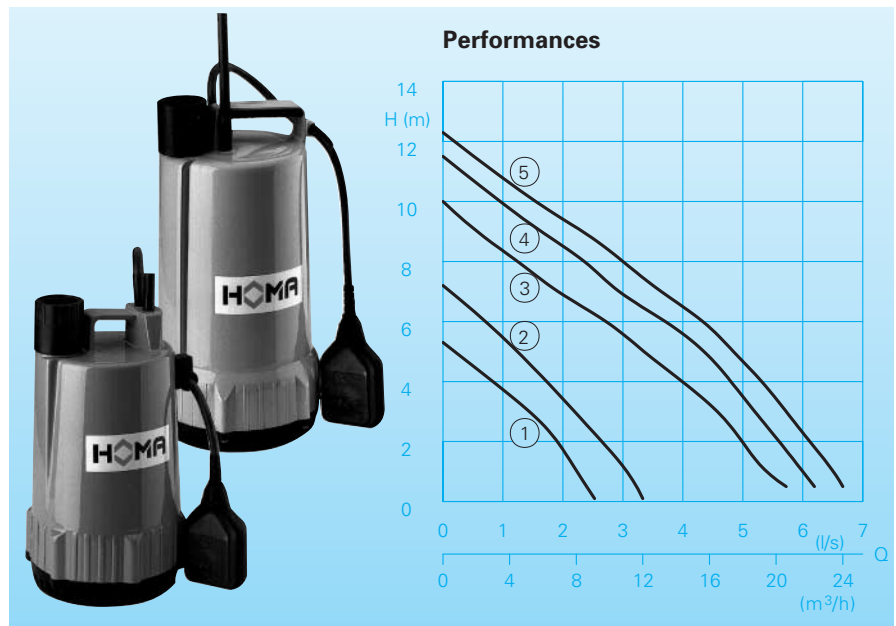
Motor: Fully submersible, pressure tight electric motor. Stainless steel motor housing. Insulation class F. Motor protection IP 68. Thermal sensors embedded in the motor winding (only 1 Ph-models).

Cable:

C 225/235: H05RN-F3G1

C 280, C 290 WB: H07RN-F3G1

C 290 WBA, D, DA: H07RN-F4G1



**Technical Data**

Curve No.	Pump type	Motor-input P <sub>1</sub> (kW)	Motor-output P <sub>2</sub> (kW)	Voltage 50 Hz (V)	Nominal current (A)	Cable length (m)	Weight (kg)
①	C 225 W (A)	0,25	0,13	230-240/1Ph	1,4	10 (5)	4,1
②	C 235 W (A)	0,35	0,18	230-240/1Ph	1,8	10 (5)	4,6
③	C 280 W (A)	1,00	0,76	230-240/1Ph	4,5	10	8,0
④	C 290 WB (A)	1,20	0,91	230-240/1Ph	5,0	10	8,3
⑤	C 290 D (A)	1,10	0,86	400-415/3Ph	2,0	10	8,3

Speed: 2900 rpm

Discharge: BSP 1 1/4"

Model A: With automatic level control HOMA-Nivomatik

Other voltages are available upon request

Shaft/Bearing: Large diameter stainless steel rotor shaft, pre-lubricated bearings.

Seals: C 225 and C 235 with 2 lip-seals, C 280 and C 290 with mechanical seal.

Materials:

Motor housing, rotor shaft, screws	Stainless steel
Suction sieve, jacket cooling	Wear resistant synthetic material
Impeller, pressure cover	Glass-fibre, reinforced synthetic
Mechanical seals	Carbon-graphite/ceramic
Seal kit	Perbonane

**Equipment supplied**

Pump with discharge connection BSP 1 1/4" F with integrated non-return valve.

Model W(A): With cable.

Model WB(A): With cable, control box with overload protection, on-off-switch respectively hand-auto-switch.

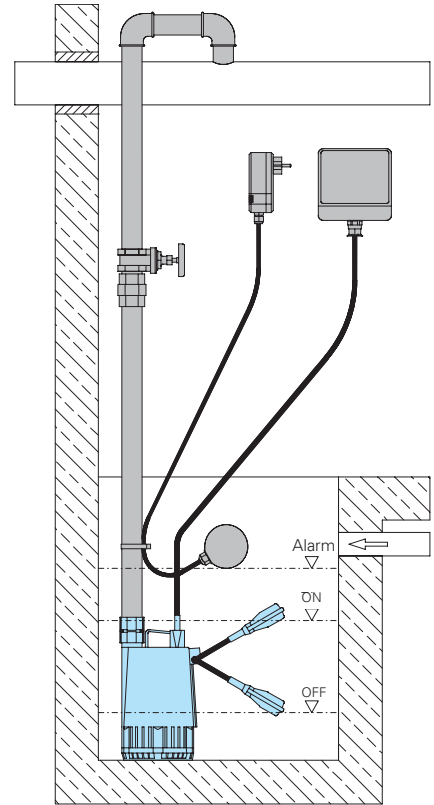
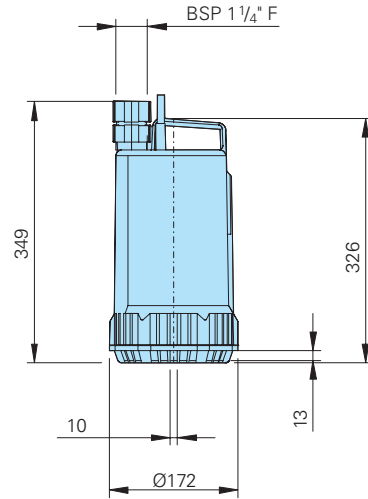
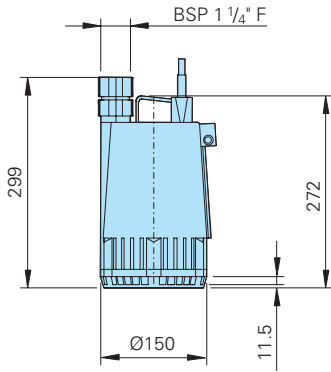
Model D(A): With cable, control box with motor protection, on-off-switch respectively hand-auto-switch.

Model A: With automatic level control HOMA-Nivomatik.

Dimensions and Installations

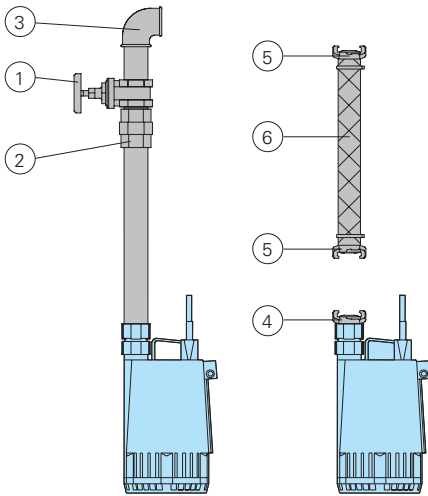
C 225, C 235

C 280, C 290



all dimensions in mm

Accessories



Part Description	Dimension	Part. No.
① Bronze gate valve	BSP 1 1/4" F	2216012
② Galvanized pipe union	BSP 1 1/4" M/F	2114304
③ 90° galvanized elbow	BSP 1 1/4" F	2113604
	BSP 1 1/4" F/M	2111405
T-piece for twin pump arrangement	BSP 1 1/4" F	2114301
○ Bronze non-return valve (if integrated non-return valve is not fitted)	BSP 1 1/4" F	2211213
Galvanized double nipple	BSP 1 1/4" M	2009011
④ Brass fixed coupling	BSP 1 1/4" M	2005413
⑤ Brass hose coupling	1"	2003313
	1 1/4"	2003413
⑥ PVC hose, per m	1" Ø	2621000
	1 1/4" Ø	2621200
Reinforced hose, per m	1" Ø	2632025
	1 1/4" Ø	2632030
Hose band	3/4"-1"	2302330
	1 1/4"	2303252

Part Description	Dimension	Part. No.
○ HOMA-Nivomatik float switch level control, conversion unit		
- for 220-240 V/1Ph		
AZW 10/5	length 5 m	1435055
AZW 10/10	length 10 m	1430105
- for 380-415 V/3Ph		
AZD 10/5	length 5 m	1912452
AZD 10/10	length 10 m	1914452
○ HOMA 2 poles earth leakage circuit breaker Fi 16/0,03 A		1561160
○ Alarm device AL 1 Mains-operated with connector for battery 9V (see below) for mains-independent operation with integrated buzzer. Mains connection 220-240 V/1Ph		1586010
Battery for mains-independent operation	9V	1952209
Float switch MB mercury free, on or off, with integrated counter weight		
Cable length	6 m	1465706
	10 m	1465710
○ Control panel for single or twin pump station for automatic operation		On request



HOMA Pumpenfabrik GmbH  
 P. O. Box 2263, D-53814 Neunk.-Seelscheid  
 Tel. ++49(0)22 47/702-0, Fax ++49(0)22 47/702-44  
 e-mail: info@homa-pumpen.de  
 www.homapumps.com