

Combi Guardian®

"A smart solution for a big problem"

GARETH EDWARDS
CHEF

COMBI GUARDIAN



AUTOMATIC GREASE REMOVAL UNIT FOR COMBI OVENS

Traps grease and food waste

Automatically separates & removes fat from oven

Solids filtration as standard

Stainless steel construction

Automatic wash down as standard

Easy to install & maintain

Collected waste can be recycled

Programmable logic control

Full customer support

Up to 3 years warranty

Side access to basket & wiper blade



FOUR-STAGE OPERATION SYSTEM

STAGE 1 Solids Collection

Wastewater from the kitchen is directed through the inlet of the **Grease Guardian®** where a removable strainer basket collects any solid debris.

STAGE 2 Grease & Oil Separation

Grease in the wastewater floats to the surface and is trapped while the clear water leaves the unit and enters the drainage system.

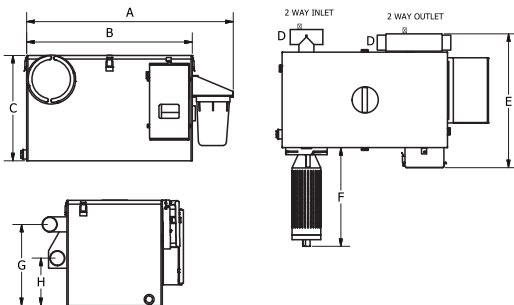
STAGE 3 Self Cleaning & Grease Removal

The PLC programmed heating element is activated to liquefy grease, which is then removed by the skimming wheel and deposited into a portable container for recycling. Can be connected to: pot and single bowl sink fixtures.

STAGE 4 Automatic Spray System

An automatic spray system activates to clean unit and replenish water level for continuous skimming of grease.

X-SERIES FEATURES SIDE ACCESS TO BASKET & WIPER BLADE AND MULTI DIRECTIONAL PLUMBING FIXTURES



Model	Length (A) INCLUDES CONTAINER	Length (B) TANK ONLY	Height (C)	Inlet/Outlet (D)	Width (E) INCLUDES PANEL	Basket (F) CLEARANCE NEEDED	Inlet Height (G) INLET	Outlet Height (H) OUTLET	Max Flow
X7 Combi	717	443	349	48.3	529	365	240	185	0.5 lps
X15 Combi	892	623	381	60.1	572	365	245	120	0.95 lps

ALL DIMENSIONS IN MM

Specification: Automatic grease trap (AGRU) with built in automatic grease removal and dry, front-loading solids strainer. 16 Gauge 304 Bright Finish Stainless Steel. Sealed, Stainless Steel Top. 25 Watt, 230v; 50Hz Motor. 600-Watt Heater with Thermal Cut Out. User friendly Logic Controller with Backlit Display. Skimming Drum is capable of skimming 1.5 gallons per hour. Can be connected to combi ovens. Automatic solenoid valve for spray wash as standard. Please note dimensions are subject to change without notice. Automatic spray bar option.