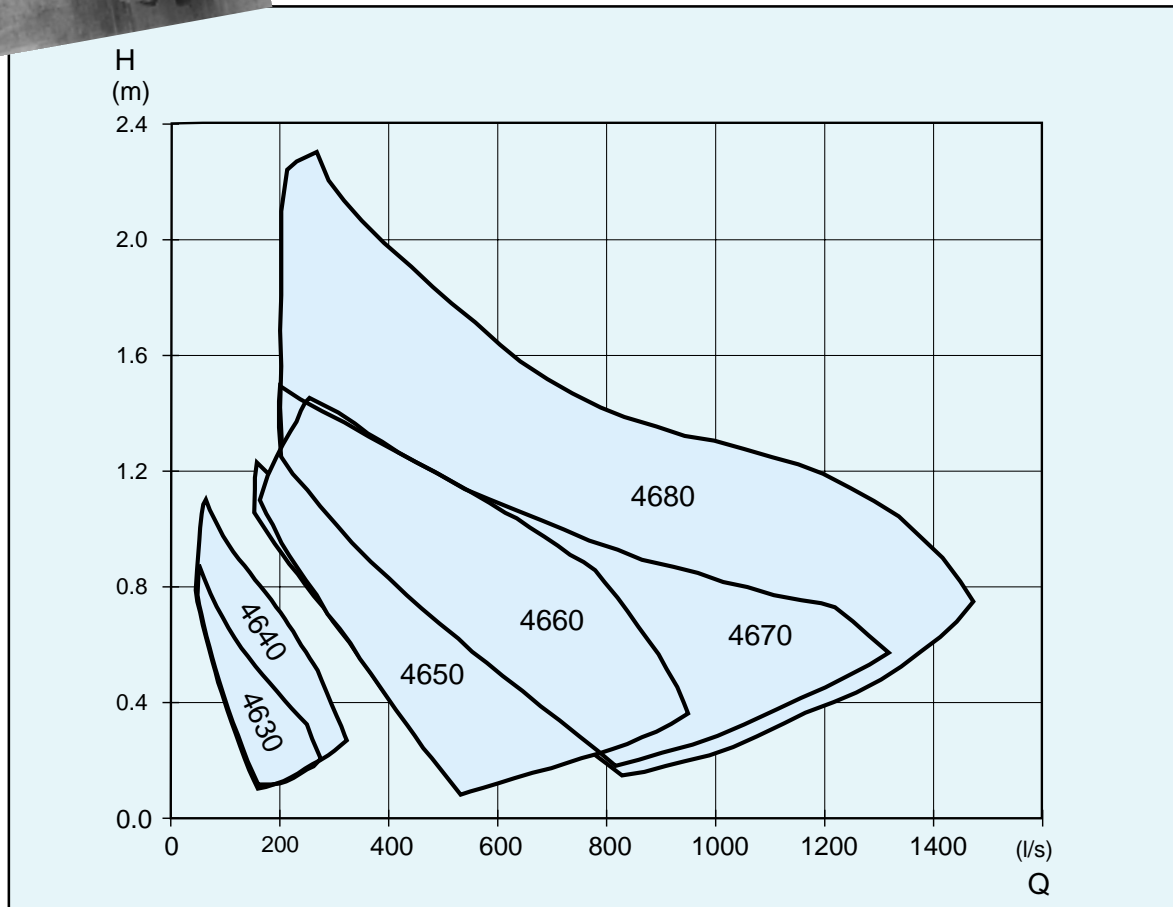
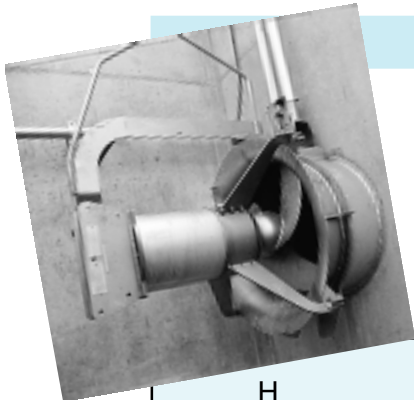


PP 4600

PROPELLER-PUMPS • 50 Hz

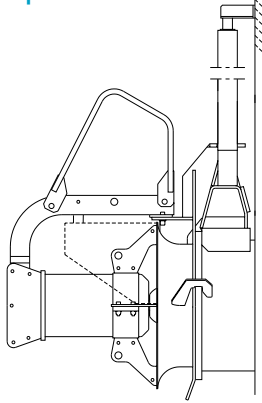


The 4600 propeller pump is designed for applications requiring very large capacity at ultra low head.

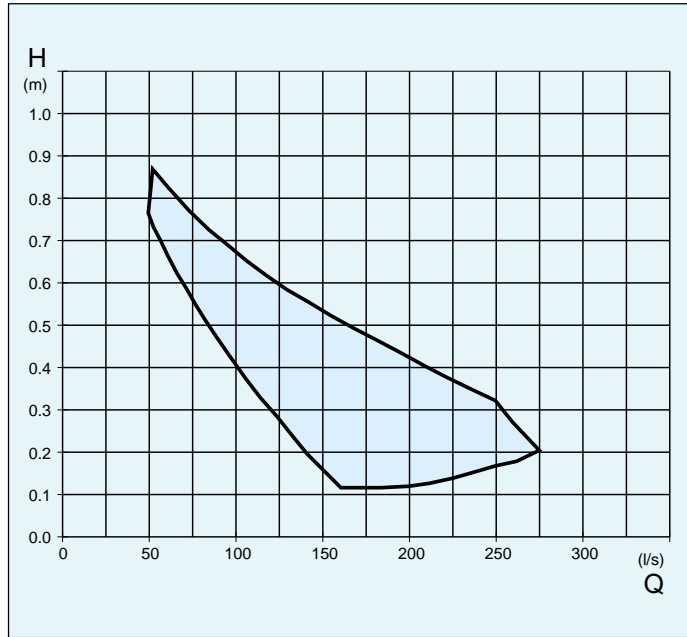


PP 4630

3-phase

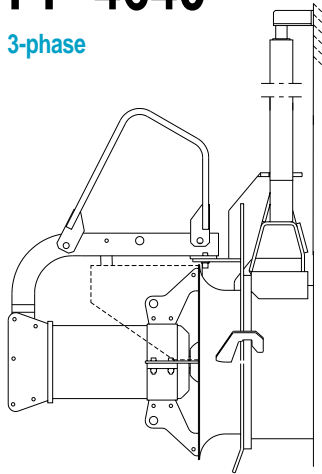


| | |
|---------------------|------------|
| Max. power, input | 2.1kW |
| Rated power, output | 1.5kW |
| Speed | 750* r/min |
| Weight | 77 kg |

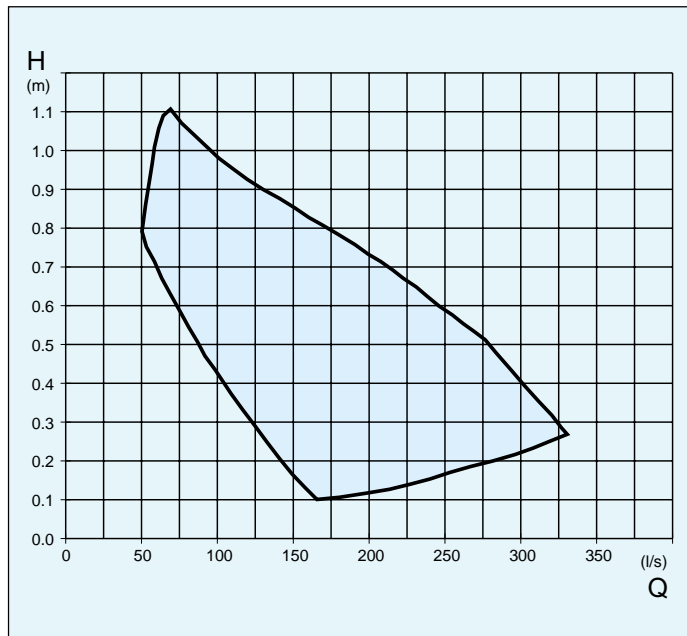


PP 4640

3-phase



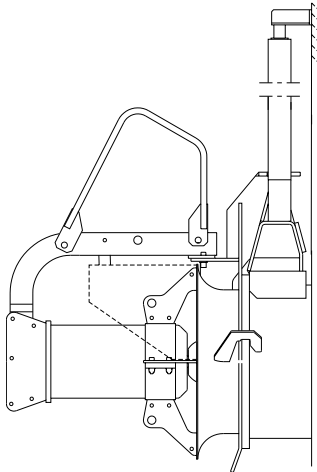
| | |
|---------------------|------------|
| Max. power, input | 3.4kW |
| Rated power, output | 2.5kW |
| Speed | 705* r/min |
| Weight | 83 kg |



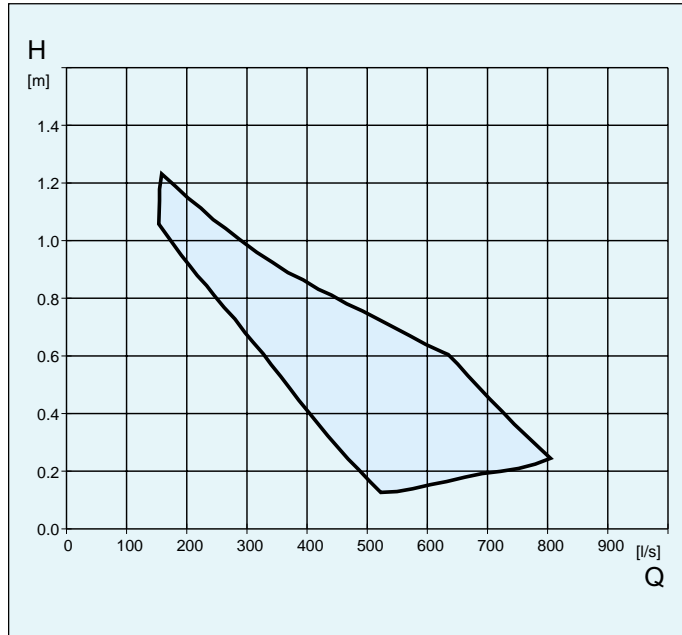
*400V

PP 4650

3-phase

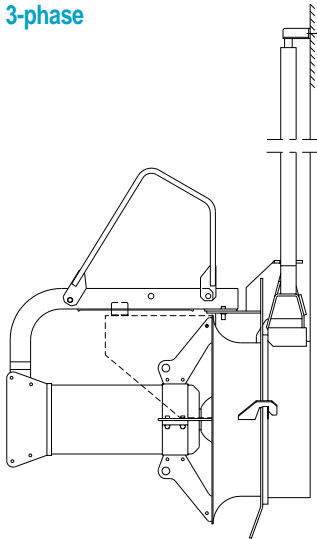


| | |
|---------------------|------------|
| Max. power, input | 6.9 kW |
| Rated power, output | 5 kW |
| Speed | 480* r/min |
| Weight | 196 kg |

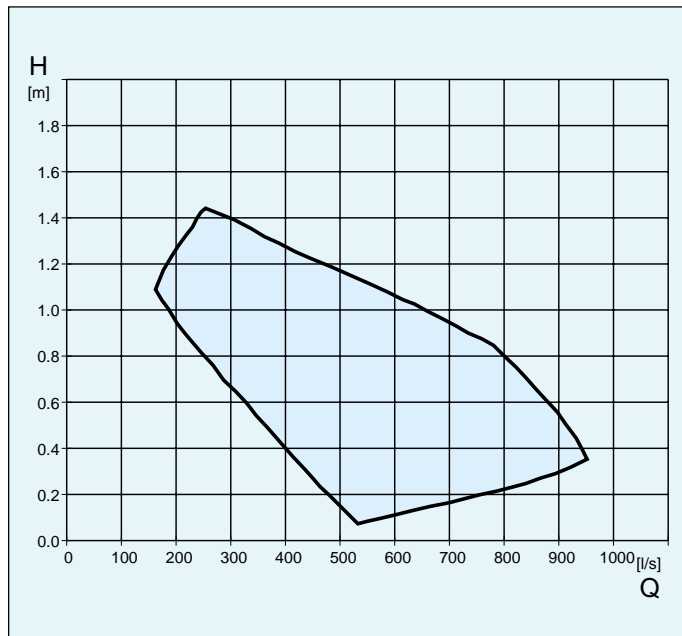


PP 4660

3-phase



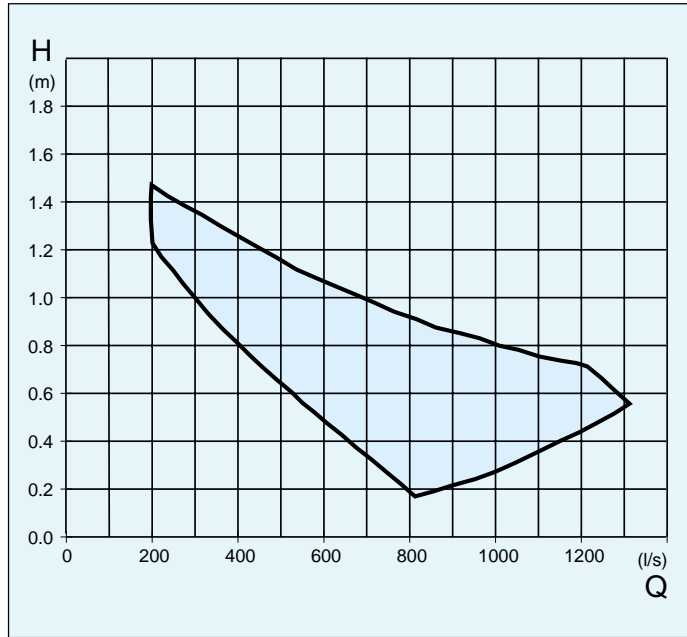
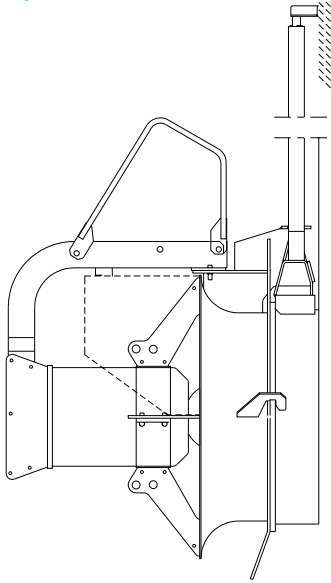
| | |
|---------------------|------------|
| Max. power, input | 13.4kW |
| Rated power, output | 10 kW |
| Speed | 475* r/min |
| Weight | 242 kg |



*400V

PP 4670

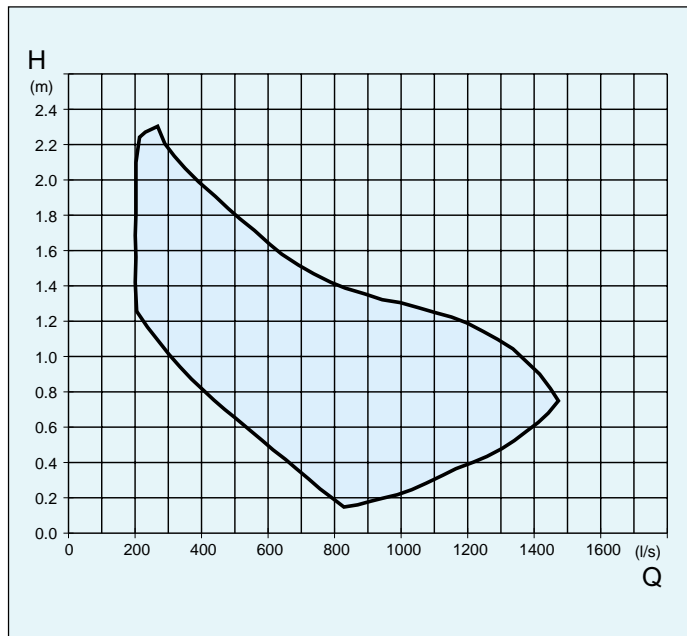
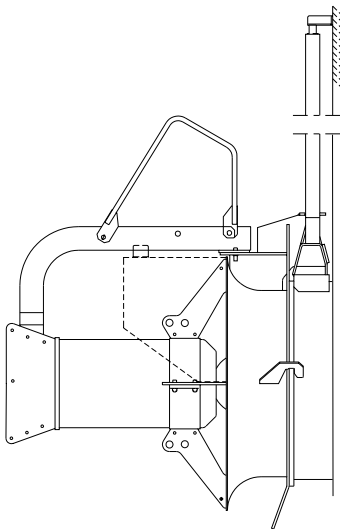
3-phase



| | |
|---------------------|------------|
| Max. power, input | 17.1 kW |
| Rated power, output | 13 kW |
| Speed | 360* r/min |
| Weight | 395 kg |

PP 4680

3-phase



| | |
|---------------------|------------|
| Max. power, input | 32 kW |
| Rated power, output | 25 kW |
| Speed | 360* r/min |
| Weight | 516 kg |

*400V