



Flygt Submersible Pumps

AVAILABLE FOR RENTAL AND SALE



www.motralec.com / service-commercial@motralec.com / 01.39.97.65.10

Flygt 3000 Series

Better heat transfer

Our specially designed and manufactured motor provides enhanced cooling because heat losses are concentrated around the stator. Trickle impregnated in resin (Class H insulation), the stator windings are rated at 180°C (355°F) and enable up to 30 starts per hour.

Efficient cooling

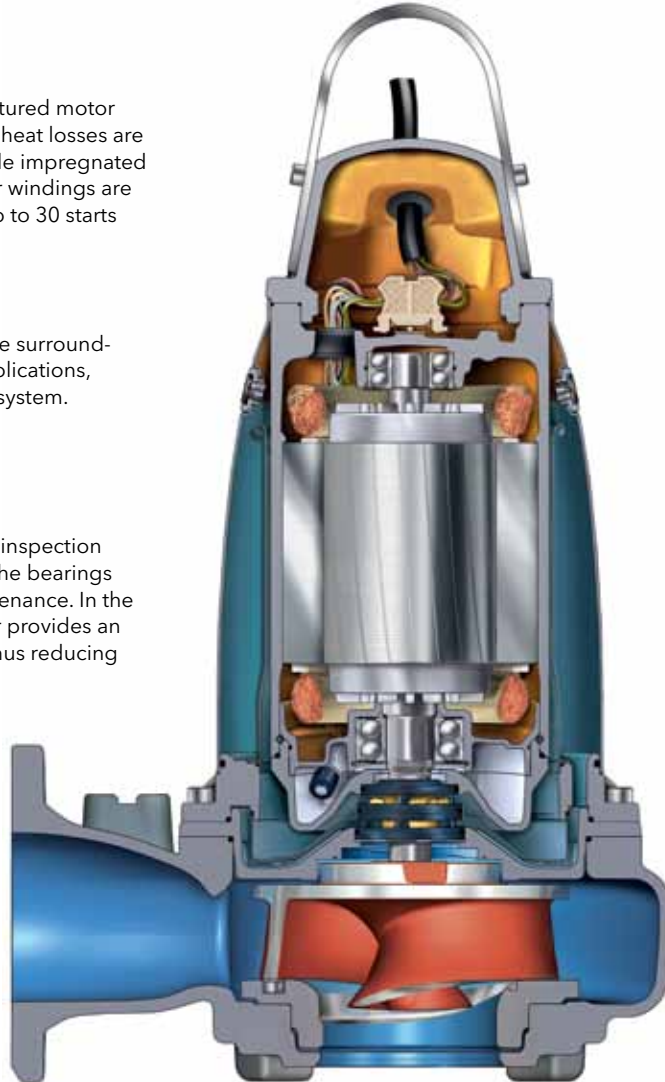
These pumps are cooled either by the surrounding liquid or, in more demanding applications, with an internal closed-loop cooling system.

Inspection chamber

To increase operational reliability, an inspection chamber between the seal unit and the bearings enables rapid spot checks and maintenance. In the case of a seal failure, a built-in sensor provides an early warning of any fluid build-up, thus reducing the risk of expensive repair work.

Compliance

Each pump is tested and approved in accordance with national and international standards, including IEC 34-1 and CSA. Pumps are available in explosion-proof versions for use in hazardous environments, and are approved by the Factory Mutual, European Standard and IEC.



Cable entry

Water-resistant cable entry provides both sealing and strain relief functions to ensure a safe installation.

Sensors

Thermal sensors embedded in the stator windings prevent overheating, and a leakage sensor in the inspection chamber minimizes the risk for bearing and stator failure.

Long-life bearings

Durable bearings provide a minimum service life of 50,000 hours.

Enduring seals

The Flygt Plug-in™ seal with the Active Seal™ system offers increased sealing reliability and zero leakage into the motor, thereby reducing the risk of bearing and stator failure.

Flygt Plug-in™ seal with Active Seal™ system



Inner seal with laser-cut spiral grooves.



The Flygt Plug-in™ seal is a seal unit that eliminates the risks associated with incorrect installation and careless handling. It comprises the Active Seal™ system in one easy-to-handle unit.

The Active Seal™ system is a patented zero-leakage double-seal system that actively prevents liquid from entering the motor cavity, thereby reducing the risk for bearing and stator failure. It comprises a unique inner seal that acts as a micro-pump and an outer seal that prevents leakage

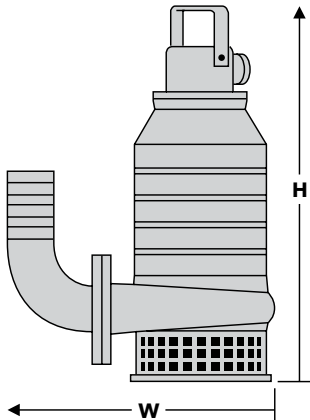
of pumped media into the buffer chamber.

Laser-cut grooves on the inner seal create a hydrodynamic pumping effect that prevents any leakage from entering the motor.

This translates into enhanced sealing reliability, reduced downtime and fewer unscheduled maintenance checks. In addition, regular service inspections can be prolonged in many applications.

Stainless Steel 3000 Series Sludge and Solids-Handling Sewage Pumps

CS/DS 3060 (SS)



Model number: 3060.390
 Motor rating: 1ø: 2.5 HP @ 3400 RPM
 3ø: 3.7 HP @ 3300 RPM

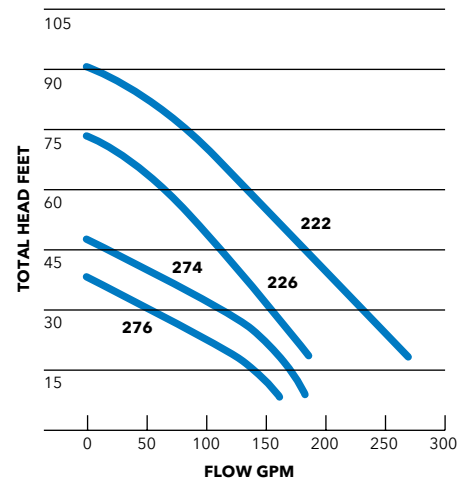
Voltage (1ø): 230V
 Full load amps: 11A

Voltage (3ø): 200V 230V 460V 575V
 Full load amps: 10.8A 9.4A 4.7A 3.8A

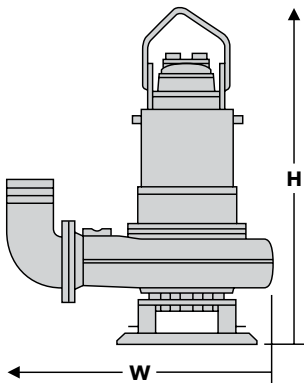
Versions: CS: 3" Standard
 Imp. Code 226 (1ø), 222 (3ø)
 DS: 3" Vortex
 Imp. Code 276 (1ø), 274 (3ø)

Hose connection: Slip-on
 Pump dimensions: 16 1/2" W (max.) x 23 1/2" H (max.)
 Max. weight (lbs.): 95

Description: CS/DS: Stainless steel construction; rests on bottom strainer. CS: Open impeller, with diffuser. DS: Vortex type impeller.



CS 3201 (SS)



Model number: 3201.280
 Motor rating: 30 HP @ 860 RPM
 35 HP @ 1170 RPM
 47 HP @ 1760 RPM

Voltage (3ø): 230V
 Full load amps: 82/94/116A

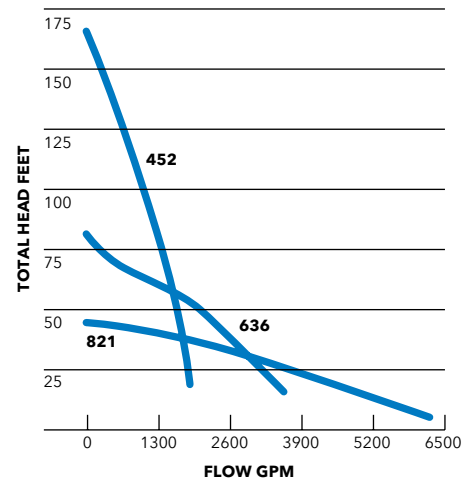
Voltage (3ø): 460V 575V
 Full load amps: 41/47/58A 33/38/46A

Versions: 6" High hd., Imp. Code 452 (47 HP)
 8" Std., Imp. Code 636 (35 HP)
 10" High volume
 Imp. Code 821 (30 HP)

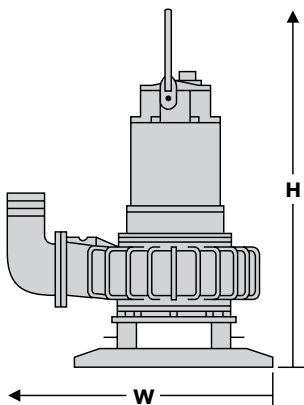
Hose connection: Slip-on
 Pump dimensions: 56" W (max.) x 63" H (max.)
 Max. weight (lbs.): 1600

Description: Stainless steel construction; closed, solids handling impeller, wear rings; rests on bottom stand.

Options: Explosion proof (FM approved) variant 3201.290



CS 3300 (SS)



Model number: 3300.280
 Motor rating: 60 HP @ 1170 RPM & 875 RPM
 45 HP @ 875 RPM
 77, 88 HP @ 1170 RPM

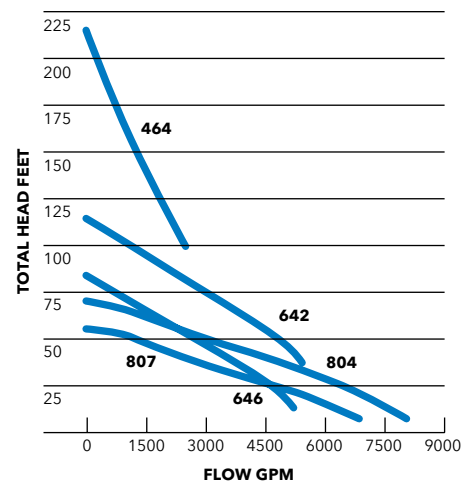
Voltage (3ø, 60 HP): 460V 575V
 Full load amps: 73/80A 58/65A

Voltage (3ø, 45/77/88 HP): 460V 575V
 Full load amps: 60/91/108A 48/73/86A

Versions: 6" High hd., Imp. Code 464 (88 HP)
 8" Standard
 Imp. Code 646 (60 HP), 642 (77 HP)
 10" High volume
 Imp. Code 807 (45 HP), 804 (60 HP)

Hose connection: Slip-on
 Pump dimensions: 56 3/4" W (max.) x 75 3/4" H (max.)
 Max. weight (lbs.): 2590

Description: Stainless steel construction; closed, solids handling impeller, wear rings; rests on bottom stand.

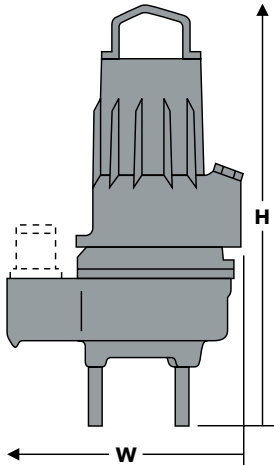


3000 Series Solids-Handling Sewage Pumps

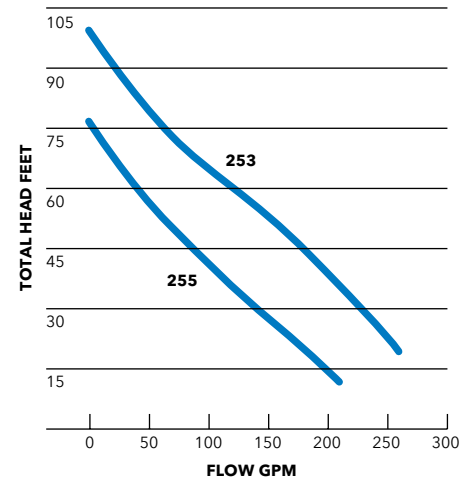
CLOSED IMPELLERS

CS models feature closed wastewater impellers designed for pumping typical wastewater solids as found in many sewage applications. Usually, a stationary brass or nitrile rubber wear ring is set into the volute bottom, surrounding the lower part of the impeller, to prevent wear and maintain hydraulic efficiency. Larger models may also utilize a stainless steel rotating ring, tightly fitted around the lower part of the impeller, to further reduce wear.

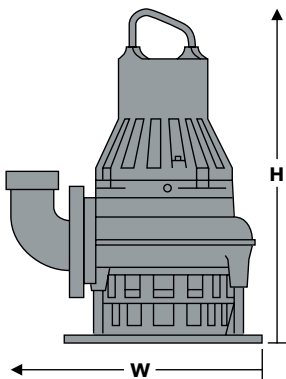
CF/CS 3068



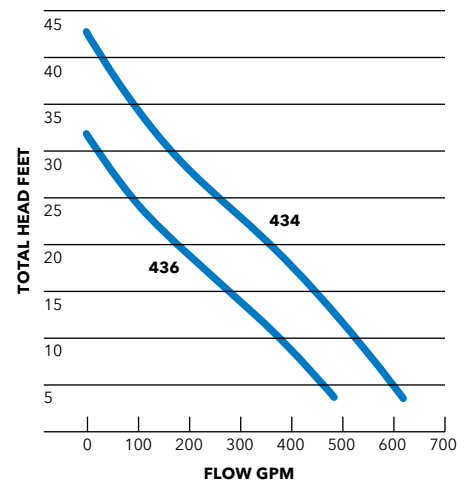
Model number: 3068.180
 Motor rating: 1ø: 2.3 HP@3300 RPM
 3ø: 2.7, 3.8 HP@3300 RPM
 Voltage (1ø): 230V
 Full load amps: 10A
 Voltage (3ø): 200V 230V
 Full load amps: 8.5/12A 7.5/10.4A
 460V 575V
 3.7/5.2A 2.9/4A
 Versions: 2" High head
 Imp. Code 255 (1ø), 253 (3ø)
 Hose connection: Female NPT, Slip-on (optional)
 Pump dimensions: 14 1/8" W (max.) x 22 3/8" H (max.)
 Max. weight (lbs.): 84
 Description: Cast iron construction; closed solids handling impeller with thrulet, rests on legs or stand.
 Options: Explosion proof (FM approved) variant 3068.090



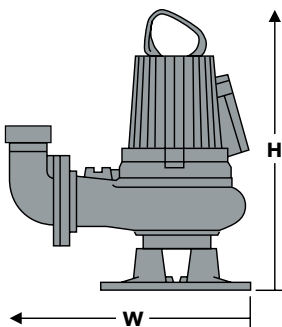
CS 3085



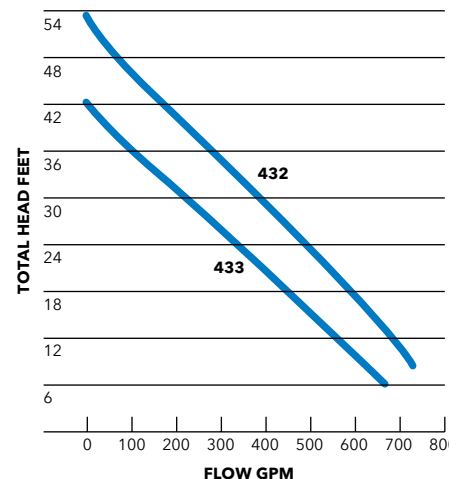
Model number: 3085.183
 Motor rating: 1ø: 2.4 HP@1750 RPM
 3ø: 2.2, 3 HP@1750 RPM
 Voltage (1ø): 230V
 Full load amps: 10A
 Voltage (3ø): 200V 230V
 Full load amps: 7.8/10A 6.7/9A
 460V 575V
 3.4/4.5A 2.7/3.6A
 Versions: 3" Std., Imp. Code 436 (1ø, 3ø)
 434 (3ø, 3HP only)
 Hose connection: NPSM threaded, or slip-on
 Pump dimensions: 19" W (max.) x 23 3/4" H (max.)
 Max. weight (lbs.): 175
 Description: Cast iron construction; closed solids handling impeller with thrulet, wear ring; rests on stand.
 Options: Explosion proof (FM approved) variant 3085.092
 Warm liquid versions available



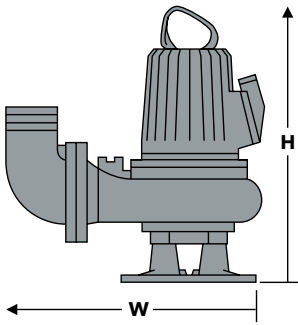
CS 3102



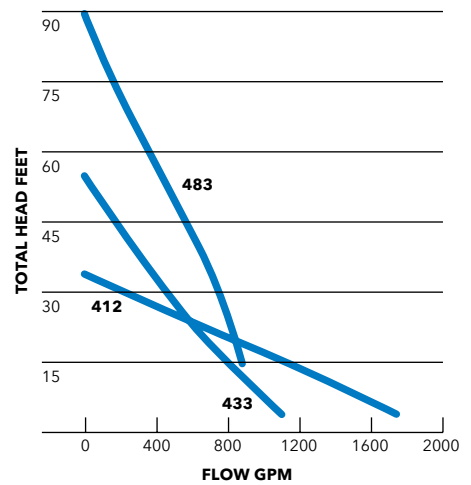
Model number: 3102.181
 Motor rating: 1ø: 3.9 HP@1730 RPM
 3ø: 5 HP@1730 RPM
 Voltage (1ø): 230V
 Full load amps: 16A
 Voltage (3ø): 200V 230V 460V 575V
 Full load amps: 15A 13A 6.6A 5.3A
 Versions: 4" Standard
 Imp. Code 433 (1ø, 3ø), 432 (3ø)
 Hose connection: NPSM threaded, or slip-on
 Pump dimensions: 24" W (max.) x 27 3/4" H (max.)
 Max. weight (lbs.): 245
 Description: Cast iron construction; closed solids handling impeller with thrulet, wear ring; rests on stand.
 Options: Explosion proof (FM approved) variant 3102.090
 Warm liquid version available



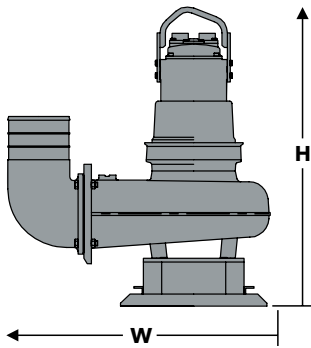
CS 3127



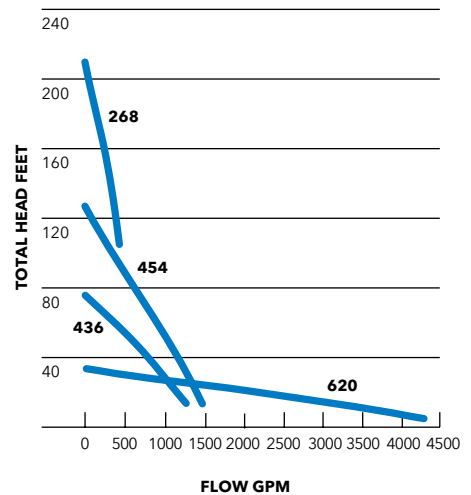
Model number: 3127.182
Motor rating: 1 ϕ : 7.5HP@1730 RPM
 3 ϕ : 10HP@1730 RPM
Voltage (1 ϕ): 230V
Full load amps: 30A
Voltage (3 ϕ): 200V 230V 460V 575V
Full load amps: 29A 26A 13A 10A
Versions: 4" High head
 Imp. Code 462 (1 ϕ), 483 (3 ϕ)
 6" Std., Imp. Code 433 (1 ϕ), 432 (3 ϕ)
 8" Std., Imp. Code 412 (1 ϕ), 411 (3 ϕ)
Hose connection: 4" & 6" NPSM threaded, or
 4", 6" & 8" slip-on
Pump dimensions: 31 1/2" W (max.) x 30 3/4" H (max.)
Max. weight (lbs.): 400
Description: Cast iron construction; closed
 solids handling impeller with
 thrulet, wear ring; rests on stand.
Options: Explosion proof (FM approved)
 variant 3127.091
 Warm liquid version available



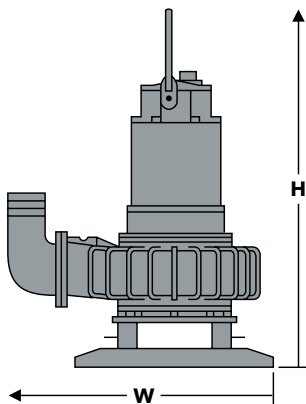
CS3152



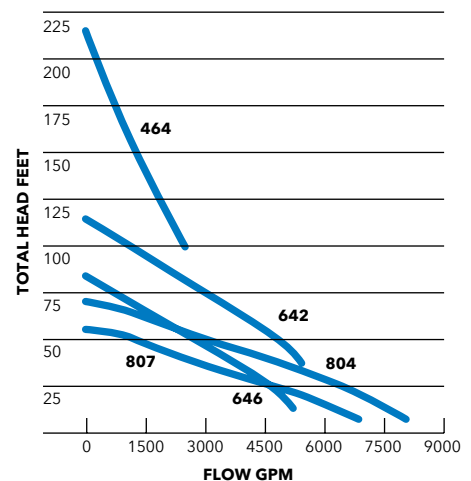
Model number: 3152.181
Motor rating: 14HP @ 1160 RPM
 15HP @ 1745 RPM
 20HP @ 1750 RPM
 23HP @ 3500 RPM
Voltage (3 ϕ , 14 / 15HP): 200V 230V 460V 575V
Full load amps: 41/45 37/39 18/20 14/16
Voltage (3 ϕ , 20 / 23HP): 200V 230V 460V 575V
Full load amps: 58/61 51/53 26/26 20/21
Versions: 4" High head
 Imp. Code 454 (20HP), 268 (SH, 23HP)
 6" Standard, Imp. Code 436 (15HP)
 10" High Volume, Imp. Code 620 (14HP)
Hose connection: 4" & 6" NPSM threaded, or
 4", 6" & 8" slip-on
Pump dimensions: 42" W (max.) x 48-1/4" H (max.)
Max. weight (lbs.): 940
Description: Cast iron construction; closed
 solids handling impeller with
 thrulet, wear ring; rests on stand.
Options: Explosion proof (FM approved)
 variant 3127.091
 Warm liquid version available



CS 3300



Model number: 3300.181
Motor rating: 60HP@1170 RPM & 875 RPM
 45 HP@875 RPM
 75 HP, 88 HP@1170 RPM
Voltage (3 ϕ , 60HP): 460V 575V
Full load amps: 73/80A 58/65A
Voltage (3 ϕ , 45/75/88HP): 460V 575V
Full load amps: 60/91/108A 48/73/86A
Versions: 6" High head, Imp. Code 464 (88 HP)
 8" Standard
 Imp. Code 646 (60HP), 642 (75 HP)
 10" High volume
 Imp. Code 807 (45HP), 804 (60HP)
Hose connection: Slip-on
Pump dimensions: 66" W (max.) x 75 3/4" H (max.)
Max. weight (lbs.): 1915
Description: Cast iron construction; closed
 solids handling impeller with
 thrulet, wear ring; rests on stand.
Options: Explosion proof (FM approved)
 variant 3300.091

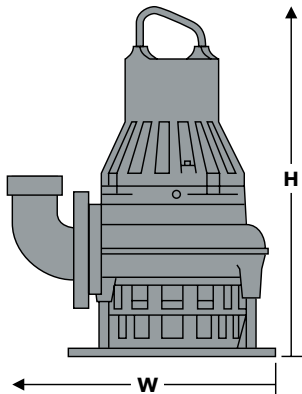


3000 Series N-Pump Sewage Pumps

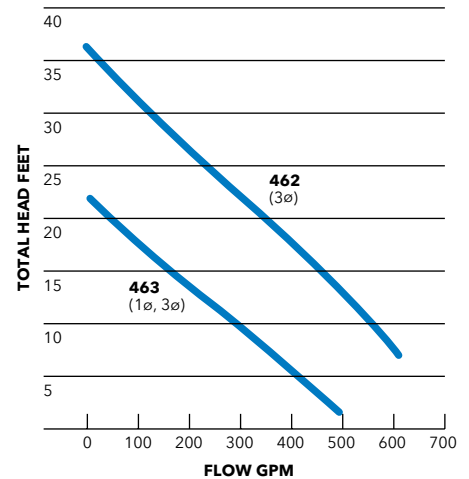
N-IMPELLERS

These pumps are equipped with Flygt's innovative "self-cleaning" N-impeller. The open impeller works with a special relief groove at the bottom of the volute to continually keep it free from solids build-up. This proven design not only reduces clogging but also ensures continued long-term efficiencies, which significantly reduce electrical operating costs. An excellent choice where troublesome solids are present in the water to be pumped.

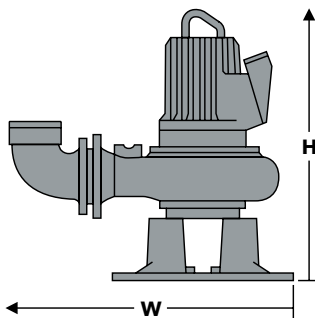
NS 3085



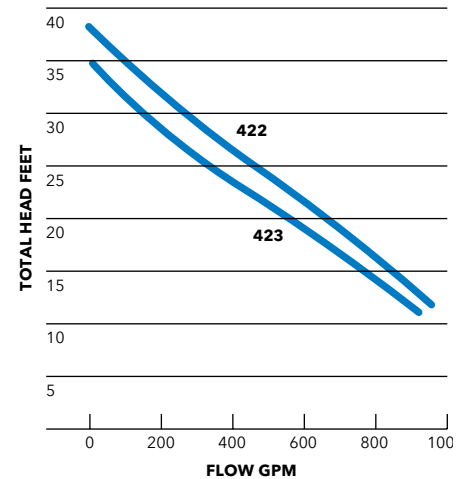
Model number: 3085.183
 Motor rating: 1ø: 2.4 HP@1750 RPM
 3ø: 2.2, 3 HP@1750 RPM
 Voltage (1ø): 230V
 Full load amps: 10A
 Voltage (3ø): 200V 230V
 Full load amps: 7.8/10A 6.7/9A
 460V 575V
 3.4/4.5A 2.7/3.6A
 Versions: 3" Standard
 Imp. Code 463 (1ø, 3ø), 462 (3ø)
 Hose connection: NPSM threaded, or slip-on
 Pump dimensions: 17³/₄" W (max.) x 24¹/₄" H (max.)
 Max. weight (lbs.): 175
 Description: Cast iron construction; semi-open, backswept multi-vane, self-cleaning impeller; rests on stand.
 Options: Explosion proof (FM approved) variant 3085.092
 Warm liquid version available



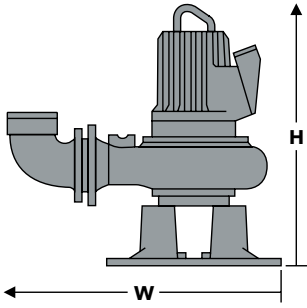
NS 3102



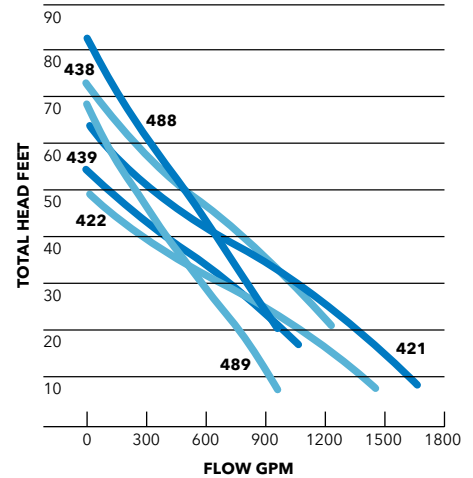
Model number: 3102.181
 Motor rating: 5 HP@1730 RPM
 Voltage (3ø): 200V 230V 460V 575V
 Full load amps: 15A 13A 6.6A 5.3A
 Versions: 4" & 6" High volume
 Imp. Code 422, 423
 Hose connection: NPSM threaded, or slip-on
 Pump dimensions: 27" W (max.) x 28¹/₂" H (max.)
 Max. weight (lbs.): 118
 Description: Cast iron construction; semi-open, backswept multi-vane, self-cleaning impeller; rests on stand.
 Options: Explosion proof (FM approved) variant 3102.090
 Warm liquid version available



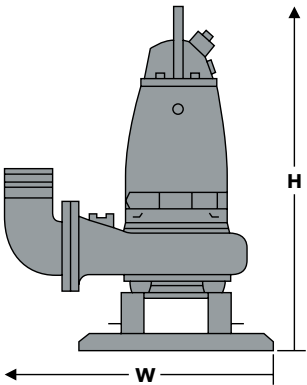
NS 3127



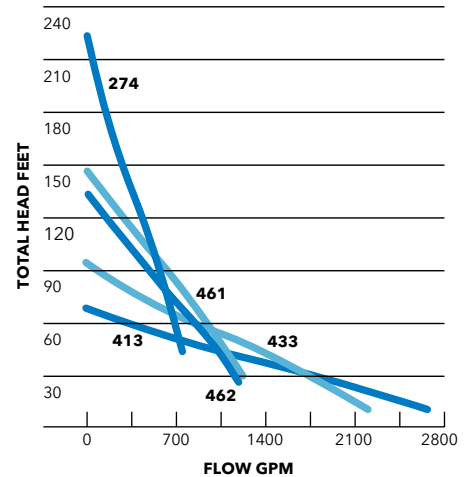
Model number: 3127.185
 Motor rating: 1ø: 7.5HP@1730 RPM
 3ø: 10HP@1740 RPM
 Voltage (1ø): 230V
 Full load amps: 30A
 Voltage (3ø): 200V 230V 460V 575V
 Full load amps: 29A 26A 13A 10A
 Versions: 4" & 8" Standard
 Imp. Code 420 (1ø), 438 (3ø)
 8" High volume
 Imp. Code 422 (1ø), 421 (3ø)
 4" High head
 Imp. Code 489 (1ø), 488 (3ø)
 Hose connection: 4" & 6" NPSM threaded, or slip-on
 4", 6" & 8" Slip-on
 Pump dimensions: 31 1/2" W (max.) x 30 3/4" H (max.)
 Max. weight (lbs.): 400
 Description: Cast iron construction; semi-open, backswept multi-vane, self-cleaning impeller; rests on stand.
 Options: Explosion proof (FM approved) variant 3127.095
 Warm liquid version available



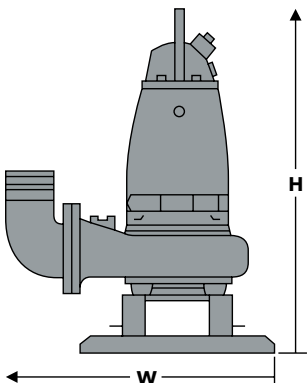
NS 3153



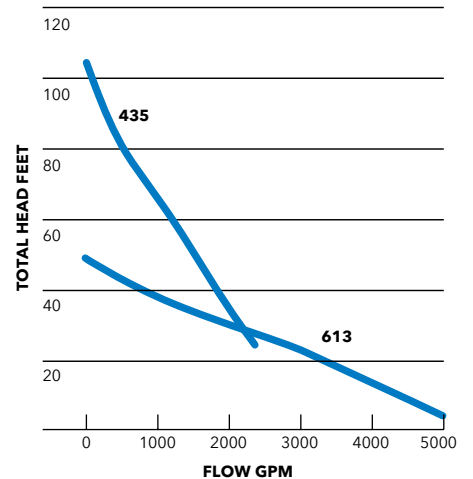
Model number: 3153.185
 Motor rating: 20HP@1755 RPM
 23HP@3510 RPM
 Voltage (3ø): 200V 230V 460V 575V
 Full load amps: 59A 52A 26A 21A
 Versions: 4" Super high head, Imp. Code 274
 4" High head, Imp. Code 461
 6" Standard, Imp. Code 433
 8" High volume, Imp. Code 413
 Hose connection: 4", 6" & 8" Slip-on
 Pump dimensions: 42" W (max.) x 47 1/4" H (max.)
 Max. weight (lbs.): 840 - High volume, 530 - Standard
 Description: Cast iron construction; semi-open, backswept multi-vane, self-cleaning impeller; rests on stand.
 Options: Explosion proof (FM approved) variant 3153.095



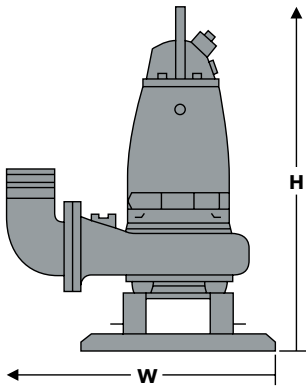
NS 3171



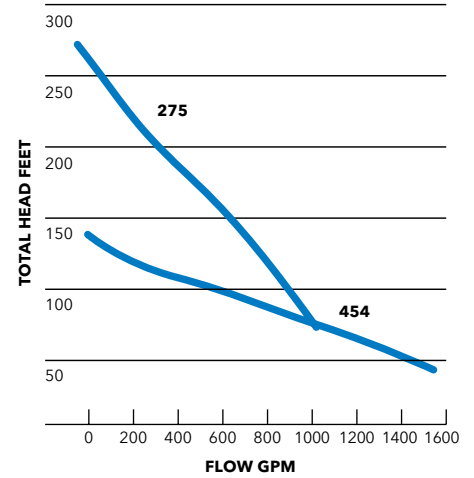
Model number: 3171.185
 Motor rating: 25HP@1160 RPM
 30HP@1740 RPM
 Voltage (3ø): 230V 460V
 Full load amps: 64/74 32/37
 575V
 25/30/31A
 Versions: 6" Standard, Imp. Code 435
 10" High volume, Imp. Code 613
 Hose connection: 6" & 10" Slip-on
 Pump dimensions: 45 1/2" W (max.) x 51 1/4" H (max.)
 Max. weight (lbs.): 1060 - High volume, 770 - Standard
 Description: Cast iron construction; semi-open, backswept multi-vane, self-cleaning impeller; rests on stand.
 Options: Explosion proof (FM approved) variant 3171.095



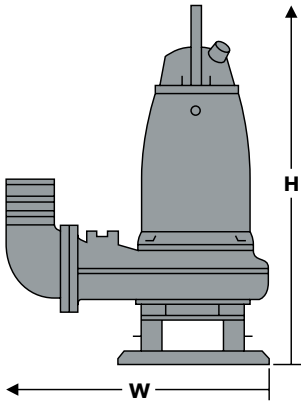
NS 3171 (Continued)



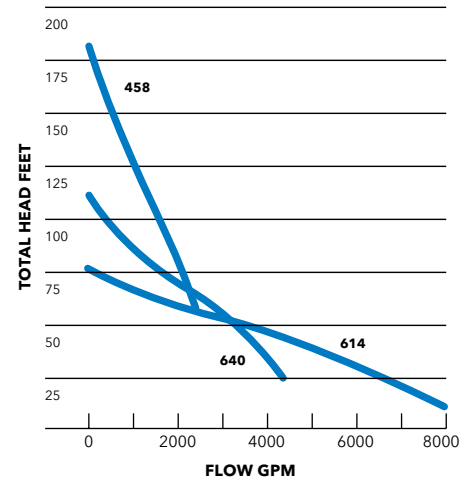
Model number: 3171.185
 Motor rating: 30 HP@1740 RPM
 34 HP@3525 RPM
 Voltage (3Ø): 230V 460V
 Full load amps: 74/79A 37/40A
 575V
 25/30/31A
 Versions: 4" Super high head
 Imp. Code 275
 4" High head
 Imp. Code 454
 Hose connection: 4", 6" & 10" Slip-on
 Pump dimensions: 45 1/2" W (max.) x 51 1/4" H (max.)
 Max. weight (lbs.): 1060 - High volume, 770 - Standard
 Description: Cast iron construction; semi-open,
 backswept multi-vane, self-cleaning
 impeller; rests on stand.
 Options: Explosion proof (FM approved)
 variant 3171.095



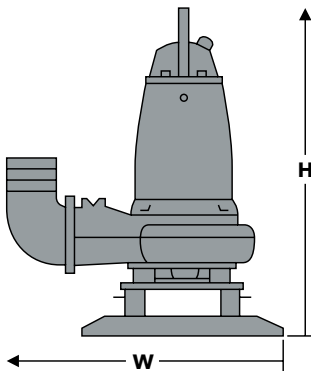
NS 3202



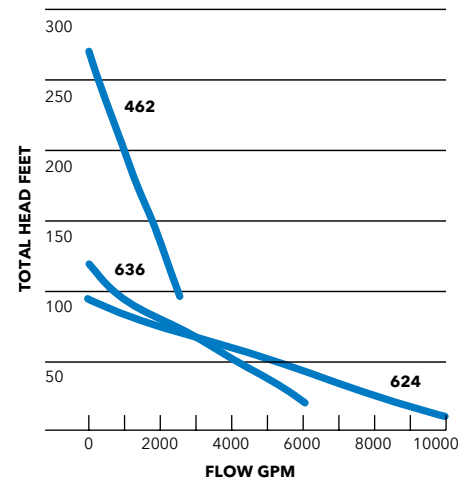
Model number: 3202.185
 Motor rating: 60 HP@1170 RPM & 1775 RPM
 70 HP@1775 RPM
 Voltage (3Ø): 460V 575V
 Full load amps: 72/68/80A 58/55/63A
 Versions: 6" High head
 Imp. Code 458
 8" Standard
 Imp. Code 640
 10" High volume
 Imp. Code 614
 Hose connection: 6", 8" & 10" Slip-on
 Pump dimensions: 52 1/2" W (max.) x 62" H (max.)
 Max. weight (lbs.): 1985 - High volume
 1340 - Standard
 Description: Cast iron construction; semi-open,
 backswept multi-vane, self-cleaning
 impeller; rests on stand.
 Options: Explosion proof (FM approved)
 variant 3202.095



NS 3301



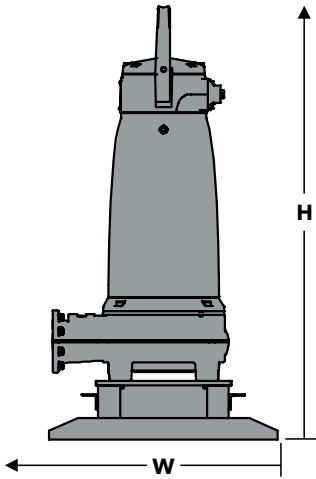
Model number: 3301.185
 Motor rating: 85 HP@1185 RPM
 105 HP@1780 RPM
 Voltage (3Ø): 460V 575V
 Full load amps: 109/121A 88/97A
 Versions: 6" High head
 Imp. Code 462
 10" Standard
 Imp. Code 636
 12" High volume
 Imp. Code 624
 Hose connection: 6", 10" & 12" Slip-on
 Pump dimensions: 56 3/4" W (max.) x 67 1/4" H (max.)
 Max. weight (lbs.): 1985 - High volume
 1340 - Standard
 Description: Cast iron construction; semi-open,
 backswept multi-vane, self-cleaning
 impeller; rests on stand.
 Options: Explosion proof (FM approved)
 variant 3301.095



3000 Series Heavy-Duty Sewage Pumps for Rental

When higher capacity is required, these models deliver unprecedented pumping power - reliably and efficiently.

NS 3315

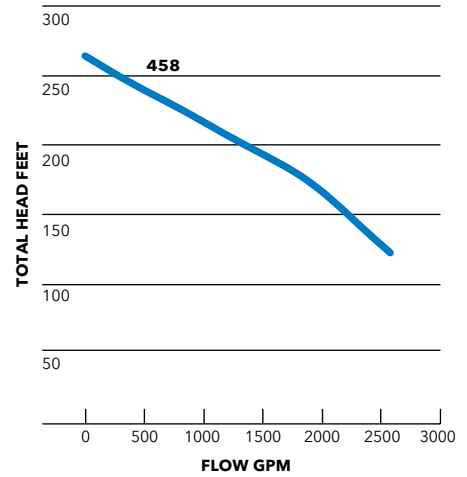


Model number: 3315.090
 Motor Rating: 160HP @ 1780 RPM

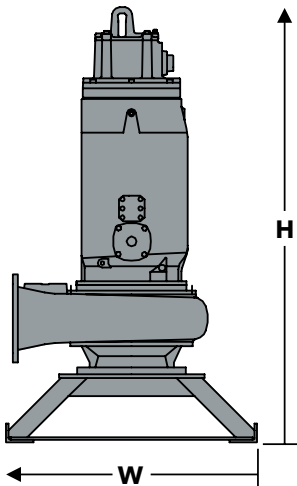
Voltage: 460V
 Full load amps: 190
 Versions: 6" High Head
 Imp. Code 458

Hose connection: NPSM threaded
 Pump dimensions: 40 1/8" W x 78 1/2" H
 Max. weight (lbs.): 2690
 Description: Cast iron construction;
 semi-open, backswept
 multi-vane, self-cleaning
 impeller; rests on bottom stand.

Options: Explosion proof (FM approved)



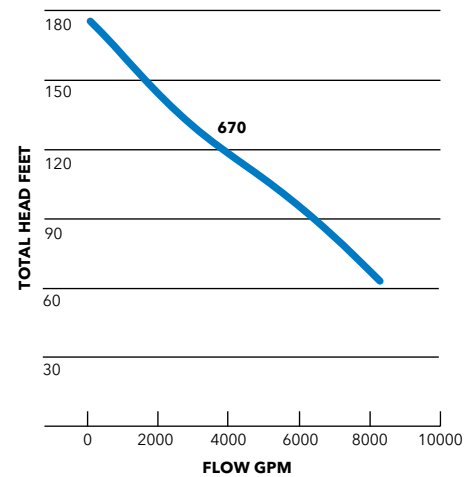
NS 3312



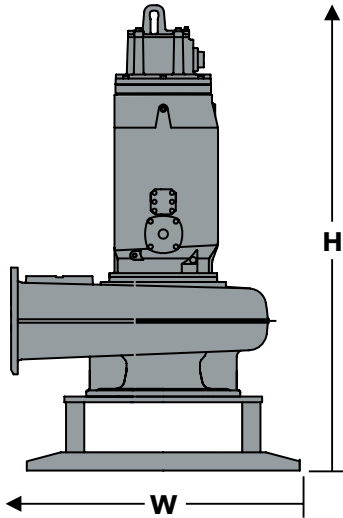
Model number: 3312/746
 Motor Rating: 215HP @ 1185 RPM

Voltage: 460V
 Full load amps: 254
 Versions: 12" Standard
 Imp. Code 670 (455mm trim)

Hose connection: ANSI Flange
 Pump dimensions: 52 5/8" W x 93 3/4" H
 Max. weight (lbs.): 5126
 Description: Cast iron construction;
 semi-open, backswept
 multi-vane, self-cleaning
 impeller; rests on bottom stand.



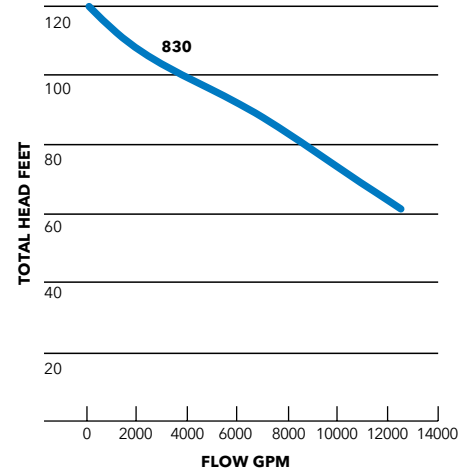
CS 3400



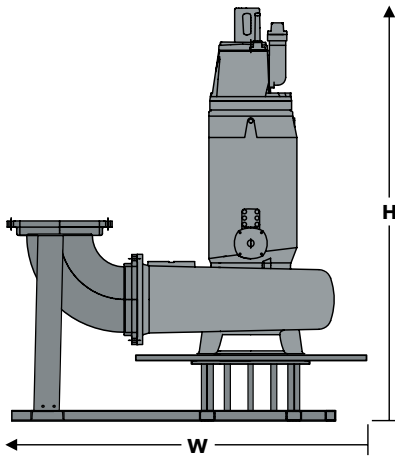
Model number: 3400/805
 Motor Rating: 240HP @ 890 RPM

Voltage: 460V
 Full load amps: 295
 Versions: 16" Standard
 Imp. Code 830
 (510mm trim)

Hose connection: ANSI Flange
 Pump dimensions: 63 1/2" W x 102 1/2" H
 Max. weight (lbs.): 6350
 Description: Cast iron construction;
 closed solids-handling
 impeller with thrulet,
 wear ring; rests on stand.



CS 3531



Model number: 3531/835
 Motor Rating: 335HP @ 890 RPM

Voltage: 460V
 Full load amps: 430
 Versions: 20" Standard
 Imp. Code 840
 (560mm trim)

Hose connection: 24" ANSI Flange Elbow
 Pump dimensions: 102" W x 132" H
 Max. weight (lbs.): 13,405 (including stand,
 elbow, vortex plate
 Description: Cast iron construction;
 closed solids-handling
 impeller with thrulet,
 wear ring; rests on stand.

