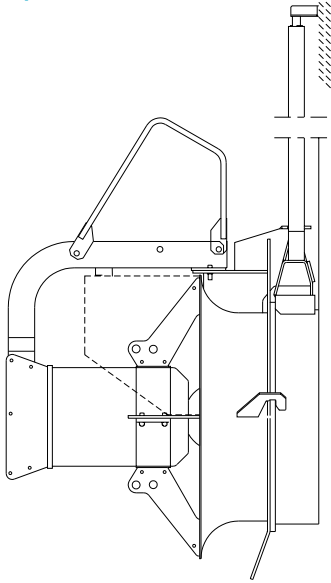
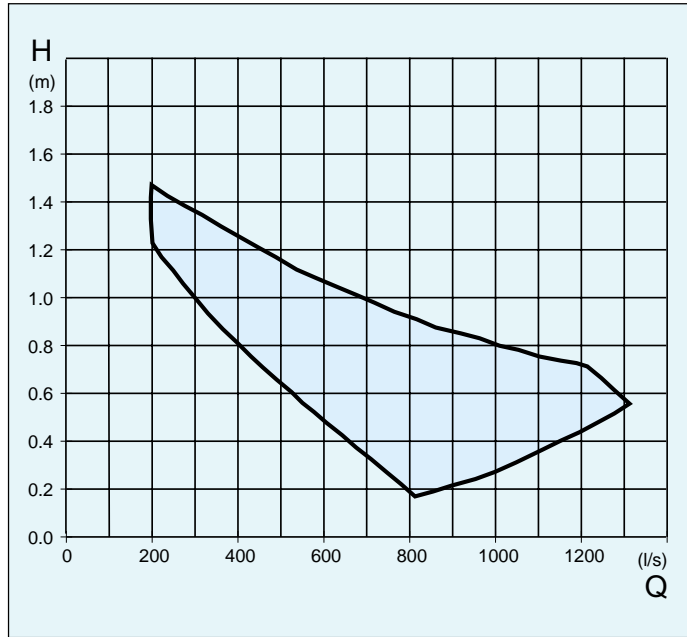


# PP 4670

3-phase

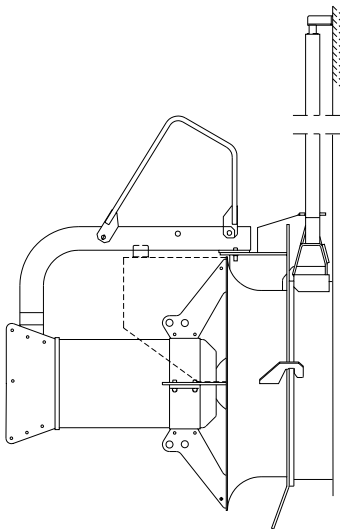


Max. power, input	17.1 kW
Rated power, output	13 kW
Speed	360* r/min
Weight	395 kg

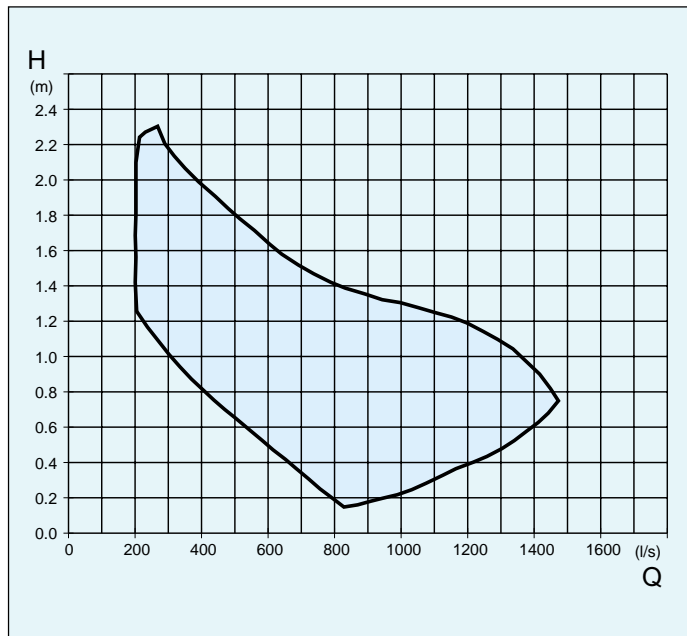


# PP 4680

3-phase



Max. power, input	32 kW
Rated power, output	25 kW
Speed	360* r/min
Weight	516 kg



\*400V