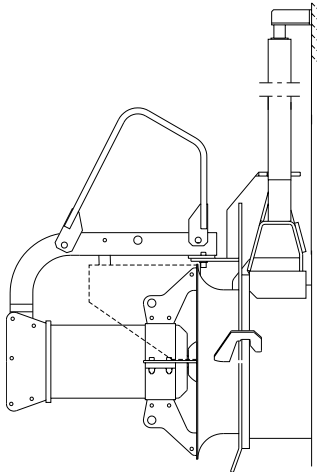
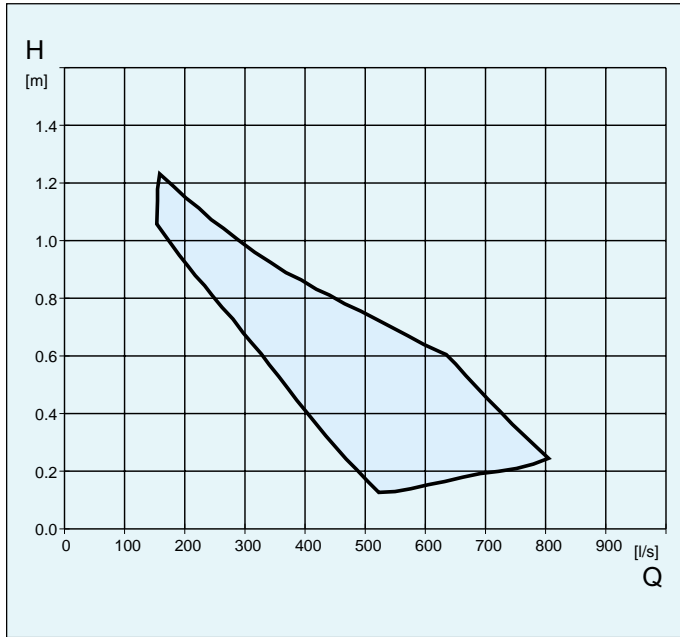


PP 4650

3-phase

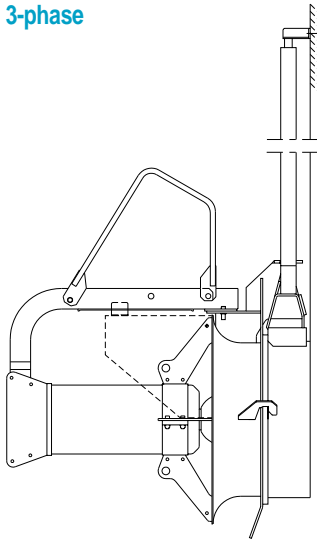


Max. power, input	6.9 kW
Rated power, output	5 kW
Speed	480 [*] r/min
Weight	196 kg

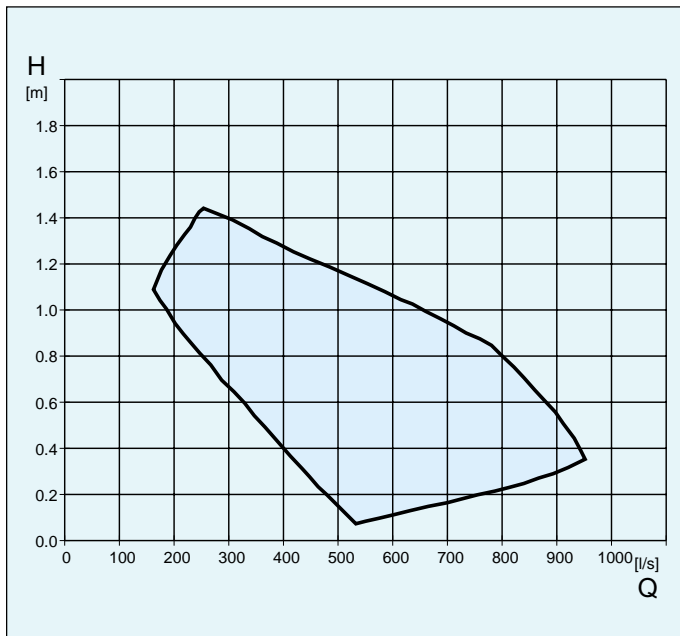


PP 4660

3-phase



Max. power, input	13.4 kW
Rated power, output	10 kW
Speed	475 [*] r/min
Weight	242 kg



*400V