



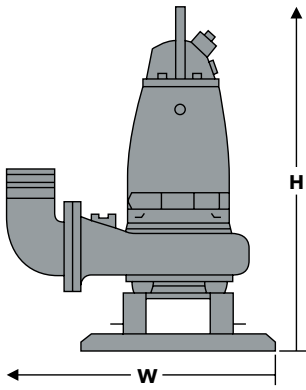
# Flygt Submersible Pumps

AVAILABLE FOR RENTAL AND SALE

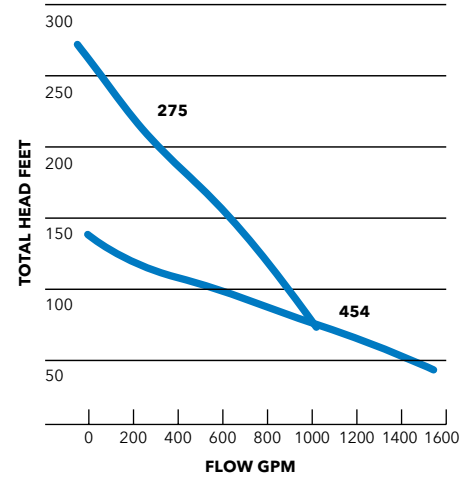


[www.motralec.com](http://www.motralec.com) / [service-commercial@motralec.com](mailto:service-commercial@motralec.com) / 01.39.97.65.10

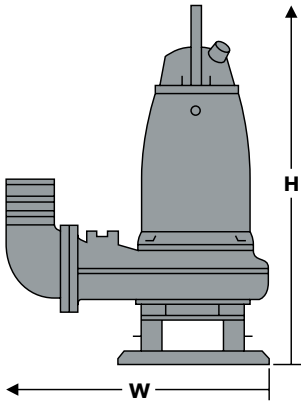
## NS 3171 (Continued)



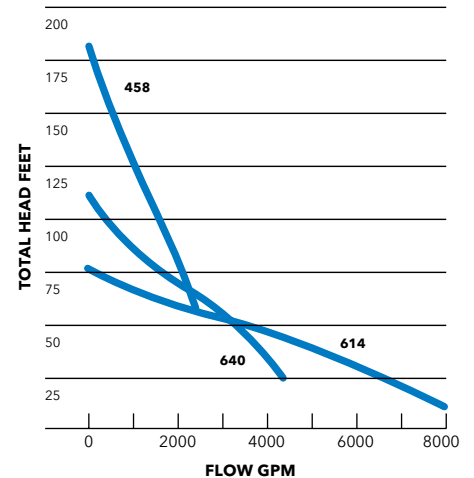
Model number: 3171.185  
 Motor rating: 30 HP@1740 RPM  
 34 HP@3525 RPM  
 Voltage (3Ø): 230V 460V  
 Full load amps: 74/79A 37/40A  
 575V  
 25/30/31A  
 Versions: 4" Super high head  
 Imp. Code 275  
 4" High head  
 Imp. Code 454  
 Hose connection: 4", 6" & 10" Slip-on  
 Pump dimensions: 45 1/2" W (max.) x 51 1/4" H (max.)  
 Max. weight (lbs.): 1060 - High volume, 770 - Standard  
 Description: Cast iron construction; semi-open,  
 backswept multi-vane, self-cleaning  
 impeller; rests on stand.  
 Options: Explosion proof (FM approved)  
 variant 3171.095



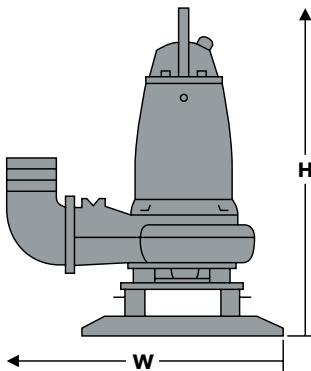
## NS 3202



Model number: 3202.185  
 Motor rating: 60 HP@1170 RPM & 1775 RPM  
 70 HP@1775 RPM  
 Voltage (3Ø): 460V 575V  
 Full load amps: 72/68/80A 58/55/63A  
 Versions: 6" High head  
 Imp. Code 458  
 8" Standard  
 Imp. Code 640  
 10" High volume  
 Imp. Code 614  
 Hose connection: 6", 8" & 10" Slip-on  
 Pump dimensions: 52 1/2" W (max.) x 62" H (max.)  
 Max. weight (lbs.): 1985 - High volume  
 1340 - Standard  
 Description: Cast iron construction; semi-open,  
 backswept multi-vane, self-cleaning  
 impeller; rests on stand.  
 Options: Explosion proof (FM approved)  
 variant 3202.095



## NS 3301



Model number: 3301.185  
 Motor rating: 85 HP@1185 RPM  
 105 HP@1780 RPM  
 Voltage (3Ø): 460V 575V  
 Full load amps: 109/121A 88/97A  
 Versions: 6" High head  
 Imp. Code 462  
 10" Standard  
 Imp. Code 636  
 12" High volume  
 Imp. Code 624  
 Hose connection: 6", 10" & 12" Slip-on  
 Pump dimensions: 56 3/4" W (max.) x 67 1/4" H (max.)  
 Max. weight (lbs.): 1985 - High volume  
 1340 - Standard  
 Description: Cast iron construction; semi-open,  
 backswept multi-vane, self-cleaning  
 impeller; rests on stand.  
 Options: Explosion proof (FM approved)  
 variant 3301.095

