



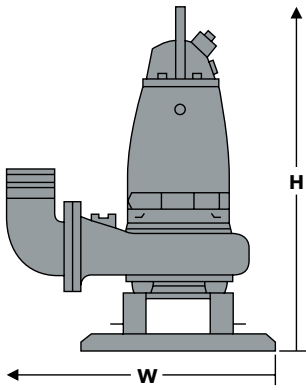
Flygt Submersible Pumps

AVAILABLE FOR RENTAL AND SALE

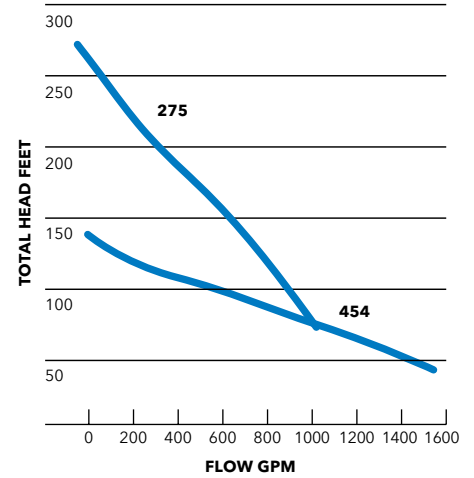
FLYGT
a xylem brand

www.motralec.com / service-commercial@motralec.com / 01.39.97.65.10

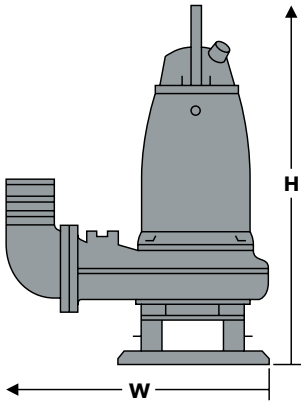
NS 3171 (Continued)



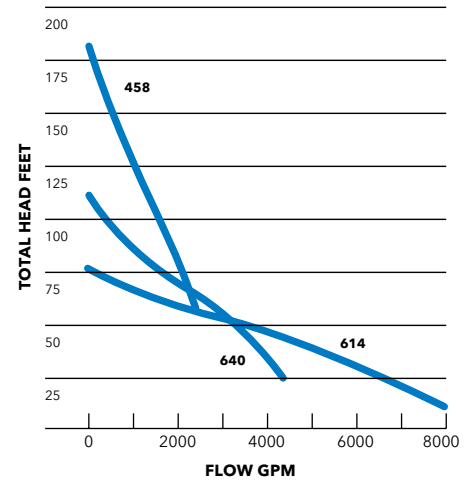
Model number: 3171.185
 Motor rating: 30 HP@1740 RPM
 34 HP@3525 RPM
 Voltage (3Ø): 230V 460V
 Full load amps: 74/79A 37/40A
 575V
 25/30/31A
 Versions: 4" Super high head
 Imp. Code 275
 4" High head
 Imp. Code 454
 Hose connection: 4", 6" & 10" Slip-on
 Pump dimensions: 45 1/2" W (max.) x 51 1/4" H (max.)
 Max. weight (lbs.): 1060 - High volume, 770 - Standard
 Description: Cast iron construction; semi-open,
 backswept multi-vane, self-cleaning
 impeller; rests on stand.
 Options: Explosion proof (FM approved)
 variant 3171.095



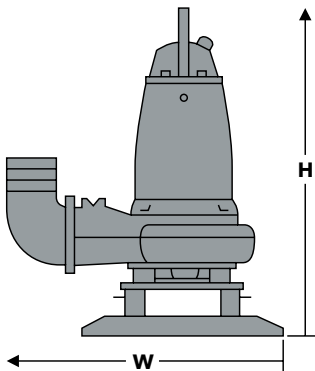
NS 3202



Model number: 3202.185
 Motor rating: 60 HP@1170 RPM & 1775 RPM
 70 HP@1775 RPM
 Voltage (3Ø): 460V 575V
 Full load amps: 72/68/80A 58/55/63A
 Versions: 6" High head
 Imp. Code 458
 8" Standard
 Imp. Code 640
 10" High volume
 Imp. Code 614
 Hose connection: 6", 8" & 10" Slip-on
 Pump dimensions: 52 1/2" W (max.) x 62" H (max.)
 Max. weight (lbs.): 1985 - High volume
 1340 - Standard
 Description: Cast iron construction; semi-open,
 backswept multi-vane, self-cleaning
 impeller; rests on stand.
 Options: Explosion proof (FM approved)
 variant 3202.095



NS 3301



Model number: 3301.185
 Motor rating: 85 HP@1185 RPM
 105 HP@1780 RPM
 Voltage (3Ø): 460V 575V
 Full load amps: 109/121A 88/97A
 Versions: 6" High head
 Imp. Code 462
 10" Standard
 Imp. Code 636
 12" High volume
 Imp. Code 624
 Hose connection: 6", 10" & 12" Slip-on
 Pump dimensions: 56 3/4" W (max.) x 67 1/4" H (max.)
 Max. weight (lbs.): 1985 - High volume
 1340 - Standard
 Description: Cast iron construction; semi-open,
 backswept multi-vane, self-cleaning
 impeller; rests on stand.
 Options: Explosion proof (FM approved)
 variant 3301.095

