



Flygt Submersible Pumps

AVAILABLE FOR RENTAL AND SALE



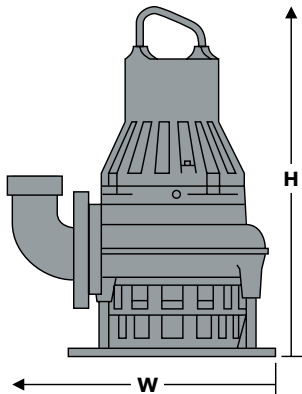
www.motralec.com / service-commercial@motralec.com / 01.39.97.65.10

3000 Series N-Pump Sewage Pumps

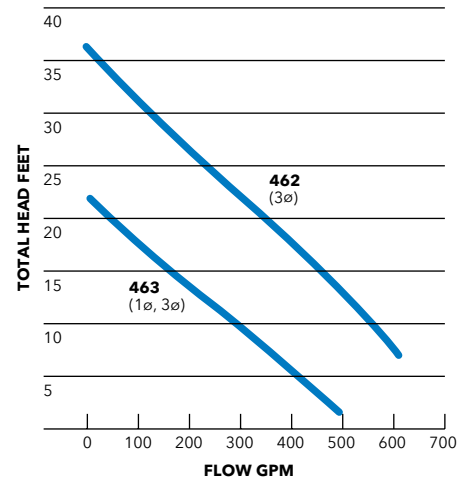
N-IMPELLERS

These pumps are equipped with Flygt's innovative "self-cleaning" N-impeller. The open impeller works with a special relief groove at the bottom of the volute to continually keep it free from solids build-up. This proven design not only reduces clogging but also ensures continued long-term efficiencies, which significantly reduce electrical operating costs. An excellent choice where troublesome solids are present in the water to be pumped.

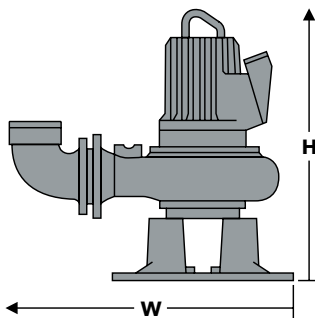
NS 3085



Model number: 3085.183
 Motor rating: 1 ϕ : 2.4 HP@1750 RPM
 3 ϕ : 2.2, 3 HP@1750 RPM
 Voltage (1 ϕ): 230V
 Full load amps: 10A
 Voltage (3 ϕ): 200V 230V
 Full load amps: 7.8/10A 6.7/9A
 460V 575V
 3.4/4.5A 2.7/3.6A
 Versions: 3" Standard
 Imp. Code 463 (1 ϕ , 3 ϕ), 462 (3 ϕ)
 Hose connection: NPSM threaded, or slip-on
 Pump dimensions: 17³/₄" W (max.) x 24¹/₄" H (max.)
 Max. weight (lbs.): 175
 Description: Cast iron construction; semi-open, backswept multi-vane, self-cleaning impeller; rests on stand.
 Options: Explosion proof (FM approved) variant 3085.092
 Warm liquid version available



NS 3102



Model number: 3102.181
 Motor rating: 5 HP@1730 RPM
 Voltage (3 ϕ): 200V 230V 460V 575V
 Full load amps: 15A 13A 6.6A 5.3A
 Versions: 4" & 6" High volume
 Imp. Code 422, 423
 Hose connection: NPSM threaded, or slip-on
 Pump dimensions: 27" W (max.) x 28¹/₂" H (max.)
 Max. weight (lbs.): 118
 Description: Cast iron construction; semi-open, backswept multi-vane, self-cleaning impeller; rests on stand.
 Options: Explosion proof (FM approved) variant 3102.090
 Warm liquid version available

