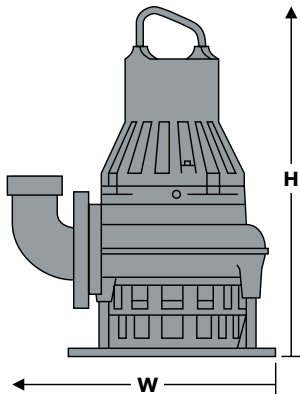


3000 Series N-Pump Sewage Pumps

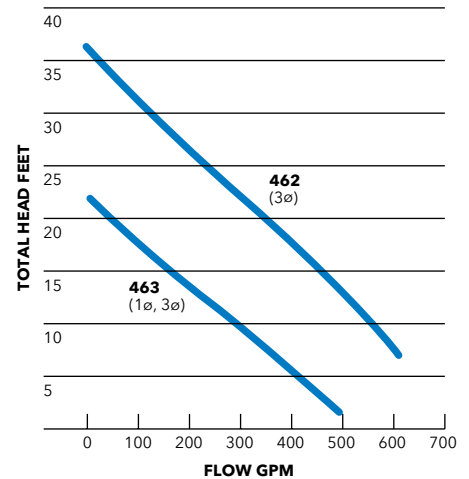
N-IMPELLERS

These pumps are equipped with Flygt's innovative "self-cleaning" N-impeller. The open impeller works with a special relief groove at the bottom of the volute to continually keep it free from solids build-up. This proven design not only reduces clogging but also ensures continued long-term efficiencies, which significantly reduce electrical operating costs. An excellent choice where troublesome solids are present in the water to be pumped.

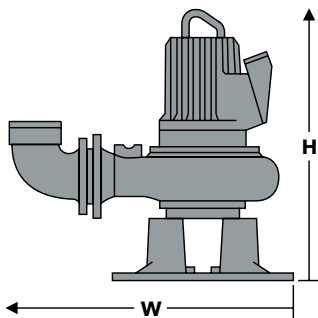
NS 3085



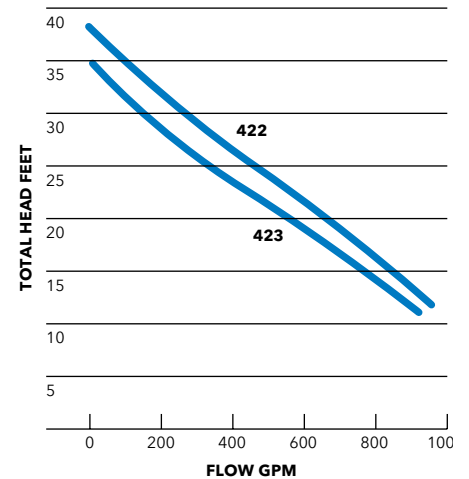
Model number: 3085.183
 Motor rating: 1 ϕ : 2.4 HP@1750 RPM
 3 ϕ : 2.2, 3 HP@1750 RPM
 Voltage (1 ϕ): 230V
 Full load amps: 10A
 Voltage (3 ϕ): 200V 230V
 Full load amps: 7.8/10A 6.7/9A
 460V 575V
 3.4/4.5A 2.7/3.6A
 Versions: 3" Standard
 Imp. Code 463 (1 ϕ , 3 ϕ), 462 (3 ϕ)
 Hose connection: NPSM threaded, or slip-on
 Pump dimensions: 17³/₄" W (max.) x 24¹/₄" H (max.)
 Max. weight (lbs.): 175
 Description: Cast iron construction; semi-open, backswept multi-vane, self-cleaning impeller; rests on stand.
 Options: Explosion proof (FM approved) variant 3085.092
 Warm liquid version available



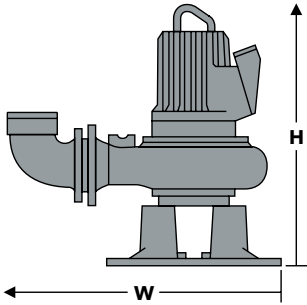
NS 3102



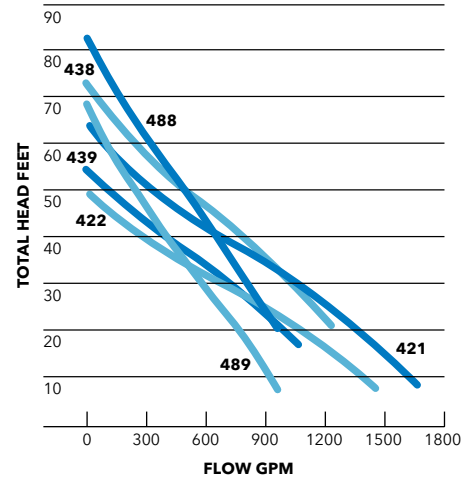
Model number: 3102.181
 Motor rating: 5 HP@1730 RPM
 Voltage (3 ϕ): 200V 230V 460V 575V
 Full load amps: 15A 13A 6.6A 5.3A
 Versions: 4" & 6" High volume
 Imp. Code 422, 423
 Hose connection: NPSM threaded, or slip-on
 Pump dimensions: 27" W (max.) x 28¹/₂" H (max.)
 Max. weight (lbs.): 118
 Description: Cast iron construction; semi-open, backswept multi-vane, self-cleaning impeller; rests on stand.
 Options: Explosion proof (FM approved) variant 3102.090
 Warm liquid version available



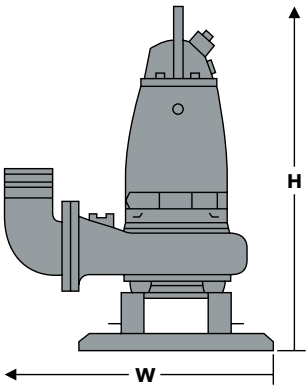
NS 3127



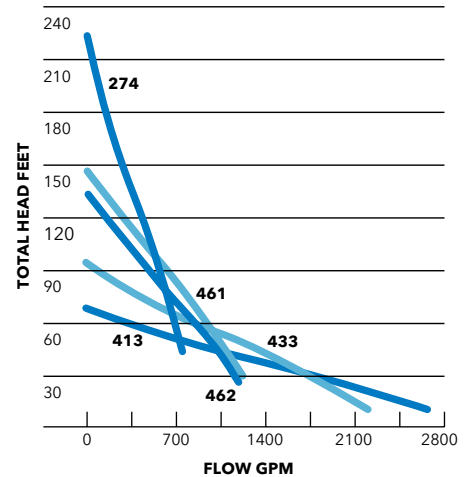
Model number: 3127.185
 Motor rating: 1ø: 7.5HP@1730 RPM
 3ø: 10HP@1740 RPM
 Voltage (1ø): 230V
 Full load amps: 30A
 Voltage (3ø): 200V 230V 460V 575V
 Full load amps: 29A 26A 13A 10A
 Versions: 4" & 8" Standard
 Imp. Code 420 (1ø), 438 (3ø)
 8" High volume
 Imp. Code 422 (1ø), 421 (3ø)
 4" High head
 Imp. Code 489 (1ø), 488 (3ø)
 Hose connection: 4" & 6" NPSM threaded, or slip-on
 4", 6" & 8" Slip-on
 Pump dimensions: 31 1/2" W (max.) x 30 3/4" H (max.)
 Max. weight (lbs.): 400
 Description: Cast iron construction; semi-open, backswept multi-vane, self-cleaning impeller; rests on stand.
 Options: Explosion proof (FM approved) variant 3127.095
 Warm liquid version available



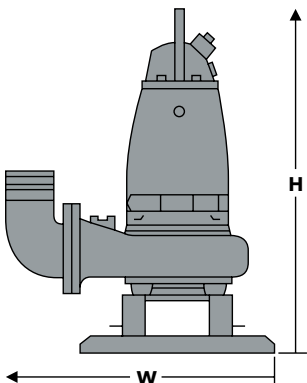
NS 3153



Model number: 3153.185
 Motor rating: 20HP@1755 RPM
 23HP@3510 RPM
 Voltage (3ø): 200V 230V 460V 575V
 Full load amps: 59A 52A 26A 21A
 Versions: 4" Super high head, Imp. Code 274
 4" High head, Imp. Code 461
 6" Standard, Imp. Code 433
 8" High volume, Imp. Code 413
 Hose connection: 4", 6" & 8" Slip-on
 Pump dimensions: 42" W (max.) x 47 1/4" H (max.)
 Max. weight (lbs.): 840 - High volume, 530 - Standard
 Description: Cast iron construction; semi-open, backswept multi-vane, self-cleaning impeller; rests on stand.
 Options: Explosion proof (FM approved) variant 3153.095



NS 3171



Model number: 3171.185
 Motor rating: 25HP@1160 RPM
 30HP@1740 RPM
 Voltage (3ø): 230V 460V
 Full load amps: 64/74 32/37
 575V
 25/30/31A
 Versions: 6" Standard, Imp. Code 435
 10" High volume, Imp. Code 613
 Hose connection: 6" & 10" Slip-on
 Pump dimensions: 45 1/2" W (max.) x 51 1/4" H (max.)
 Max. weight (lbs.): 1060 - High volume, 770 - Standard
 Description: Cast iron construction; semi-open, backswept multi-vane, self-cleaning impeller; rests on stand.
 Options: Explosion proof (FM approved) variant 3171.095

