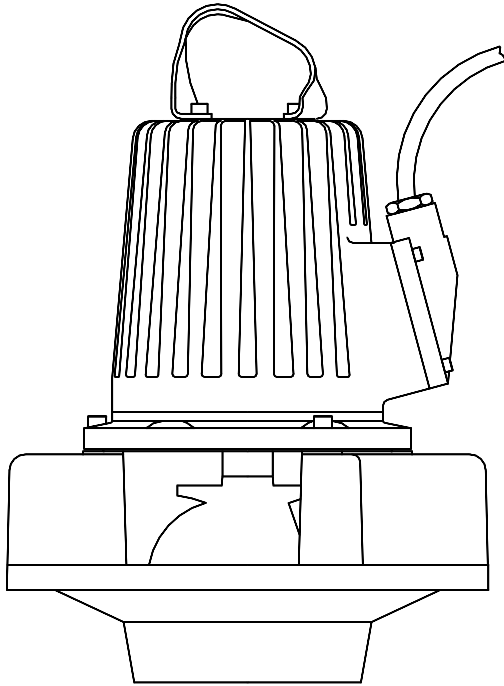
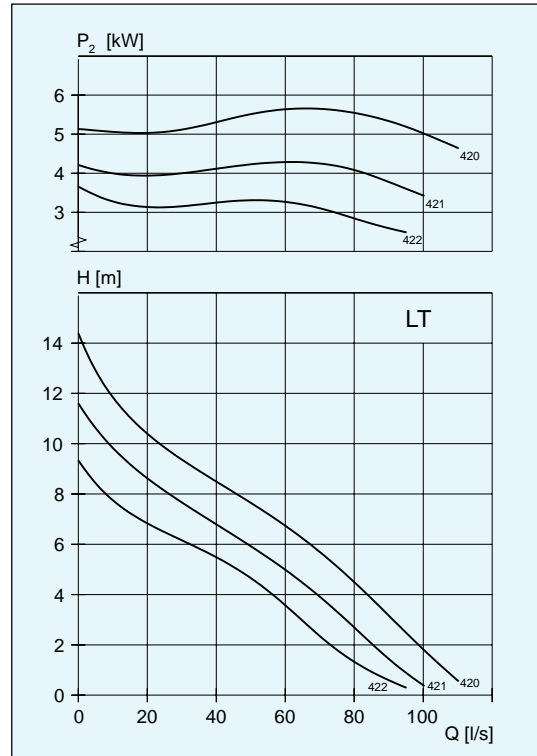


NL 3127



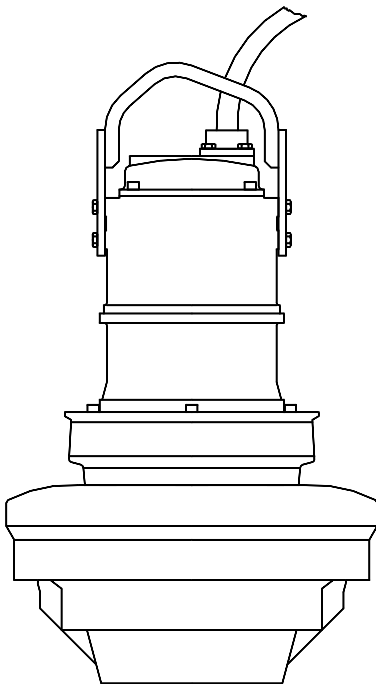
Pump type	NL
Weight, kg	140

NL



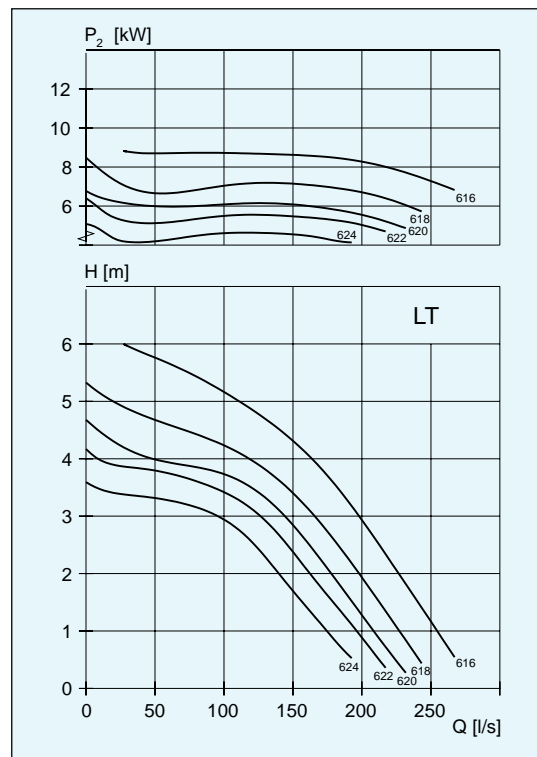
Impeller code	Overall dia mm diffuser ring	Motor rating, kW		rpm
		P ₁	P ₂	
W420	∅480	7.1	5.9	1445
W421	∅480	7.1	5.9	1445
421	∅480	5.7	4.7	1445
W422	∅480	7.1	5.9	1445
422	∅480	5.7	4.7	1445

L 3152



Pump type	L
Weight, kg	264

L



Impeller code	Overall dia mm diffuser ring	Motor rating, kW		rpm
		P ₁	P ₂	
W616*	∅590	10.5	8.8	960
W618*	∅590	10.5	8.8	960
W620	∅590	10.5	8.8	960
W622	∅590	10.5	8.8	960
W624	∅590	10.5	8.8	960

* NPSH_e = 11 m at 235 l/s