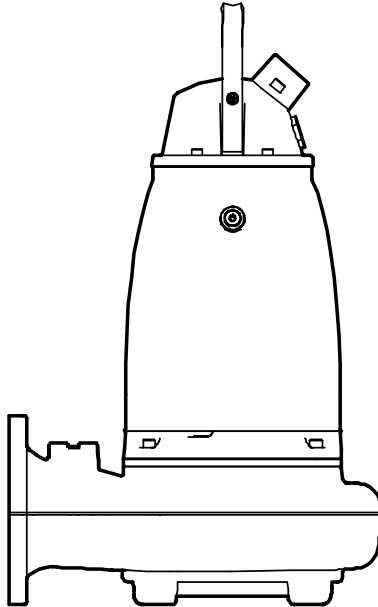
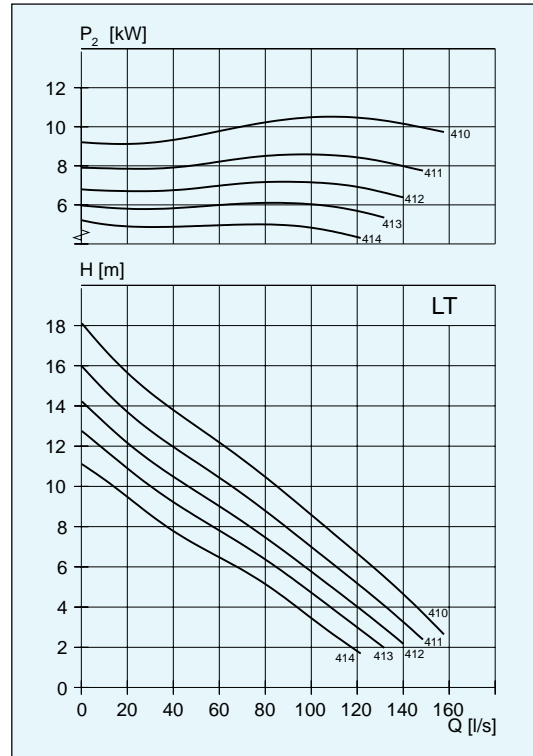


N 3153



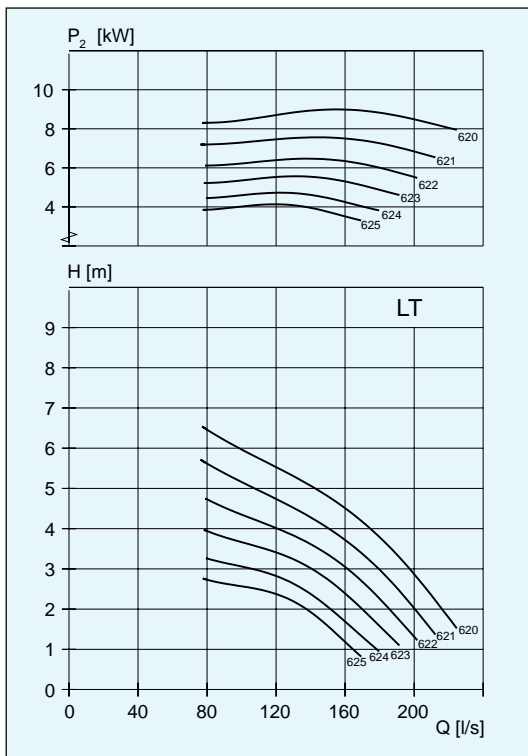
Weight, kg	NP	NS	NT	NZ
LT	239	257	326	327
LT, 6-pole	298	361	417	386
MT	203	232	272	256
HT	189	209	235	232

NP/NS/NT/NZ



Impeller code	No. of vanes	Outlet dia mm NP vers.	Motor rating kW		rpm	Available versions
			P ₁	P ₂		
•W410	2	200	12.7	11.0	1460	NPNSNTNZ
•W411	2	200	12.7	11.0	1460	NPNSNTNZ
•411	2	200	10.4	9.0	1460	NPNSNTNZ
•W412	2	200	12.7	11.0	1460	NPNSNTNZ
•412	2	200	10.4	9.0	1460	NPNSNTNZ
•412	2	200	8.8	7.5	1460	NPNSNTNZ
•W413	2	200	12.7	11.0	1460	NPNSNTNZ
•413	2	200	10.4	9.0	1460	NPNSNTNZ
•413	2	200	8.8	7.5	1460	NPNSNTNZ
•W414	2	200	12.7	11.0	1460	NPNSNTNZ
•414	2	200	10.4	9.0	1460	NPNSNTNZ
•414	2	200	8.8	7.5	1460	NPNSNTNZ

NP/NS/NT/NZ



Impeller code	No. of vanes	Outlet dia mm NP vers.	Motor rating kW		rpm	Available versions
			P ₁	P ₂		
•620	2	250	10.5	9.0	955	NPNSNTNZ
•621	2	250	10.5	9.0	955	NPNSNTNZ
•622	2	250	10.5	9.0	955	NPNSNTNZ
•623	2	250	10.5	9.0	955	NPNSNTNZ
•624	2	250	10.5	9.0	955	NPNSNTNZ
•625	2	250	10.5	9.0	955	NPNSNTNZ

• Can be equipped with flush valve