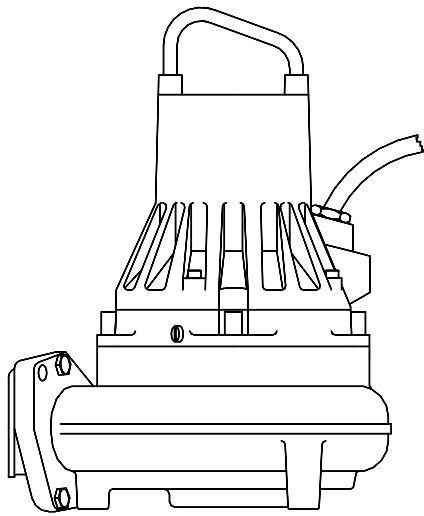
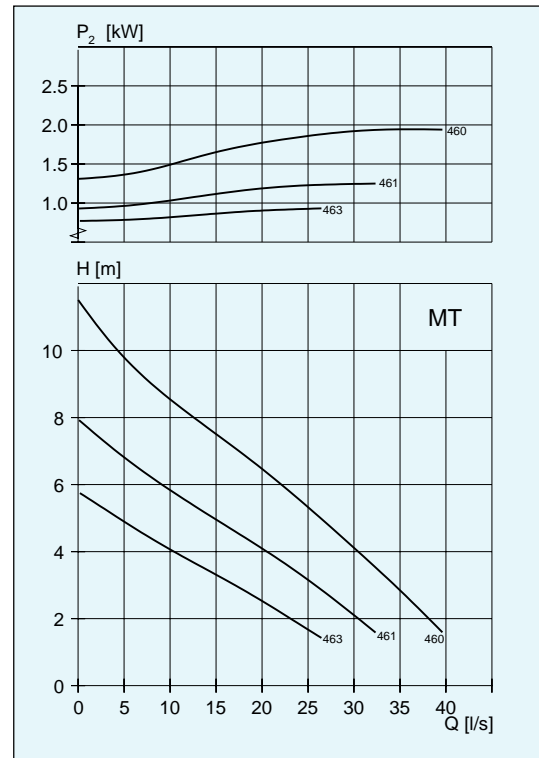


N 3085



Weight, kg	NP	NS	NT	NZ
MT	66	68	71	88

NP/NS/NT/NZ



Impeller code	No. of vanes	Outlet dia mm NP vers.	Motor rating kW		rpm	Available versions
			P_1	P_2		
• 460	2	80/100	2.7	2.0	1395	NP/NS/NT/NZ
• W461	2	80/100	2.7	2.0	1395	NP/NS/NT/NZ
• W463	2	80/100	2.7	2.0	1395	NP/NS/NT/NZ
• 461*	2	80/100	2.0	1.5	1440	NP/NS/NT/NZ
• 463*	2	80/100	2.0	1.5	1440	NP/NS/NT/NZ

- * Single-phase
- Can be equipped with flush valve