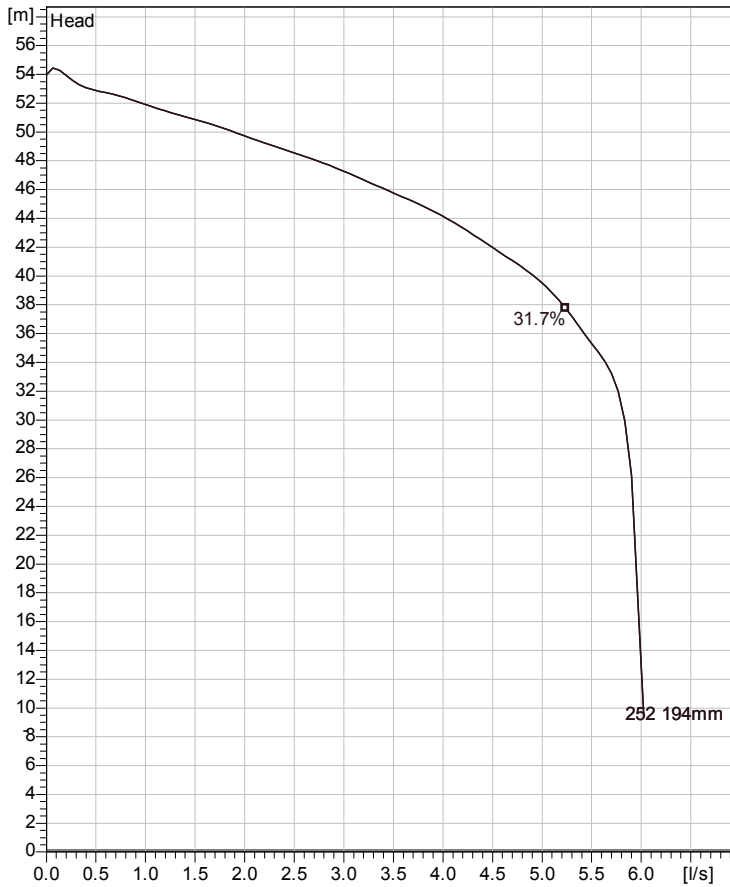


# MP 3127 HT 3~ 252

## Technical specification



Curve according to: ISO 9906



Note: Picture might not correspond to the current configuration.

### General

Semi-open multi-channel impellers with integral grinder cutter in single volute casing for liquids containing solids and fibres.

### Impeller

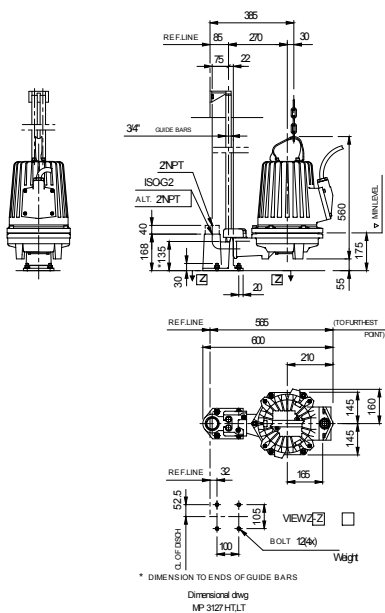
Impeller material	Grey cast iron
Outlet width	50 mm
Inlet diameter	80 mm
Impeller diameter	194 mm
Number of blades	6

### Motor

Motor #	M3127.170 21-11-2AL-W 7,4KW
Stator variant	
Frequency	50 Hz
Rated voltage	415 V
Number of poles	2
Phases	3~
Rated power	7.4 kW
Rated current	13 A
Starting current	98 A
Rated speed	2895 rpm
Power factor	
1/1 Load	0.92
3/4 Load	0.90
1/2 Load	0.86
Efficiency	
1/1 Load	83.5 %
3/4 Load	84.5 %
1/2 Load	83.5 %

### Configuration

### Installation: P - Semi permanent, Wet



Project	Project ID	Created by	Created on	Last update
			2012-10-25	

# MP 3127 HT 3~ 252

## Performance curve

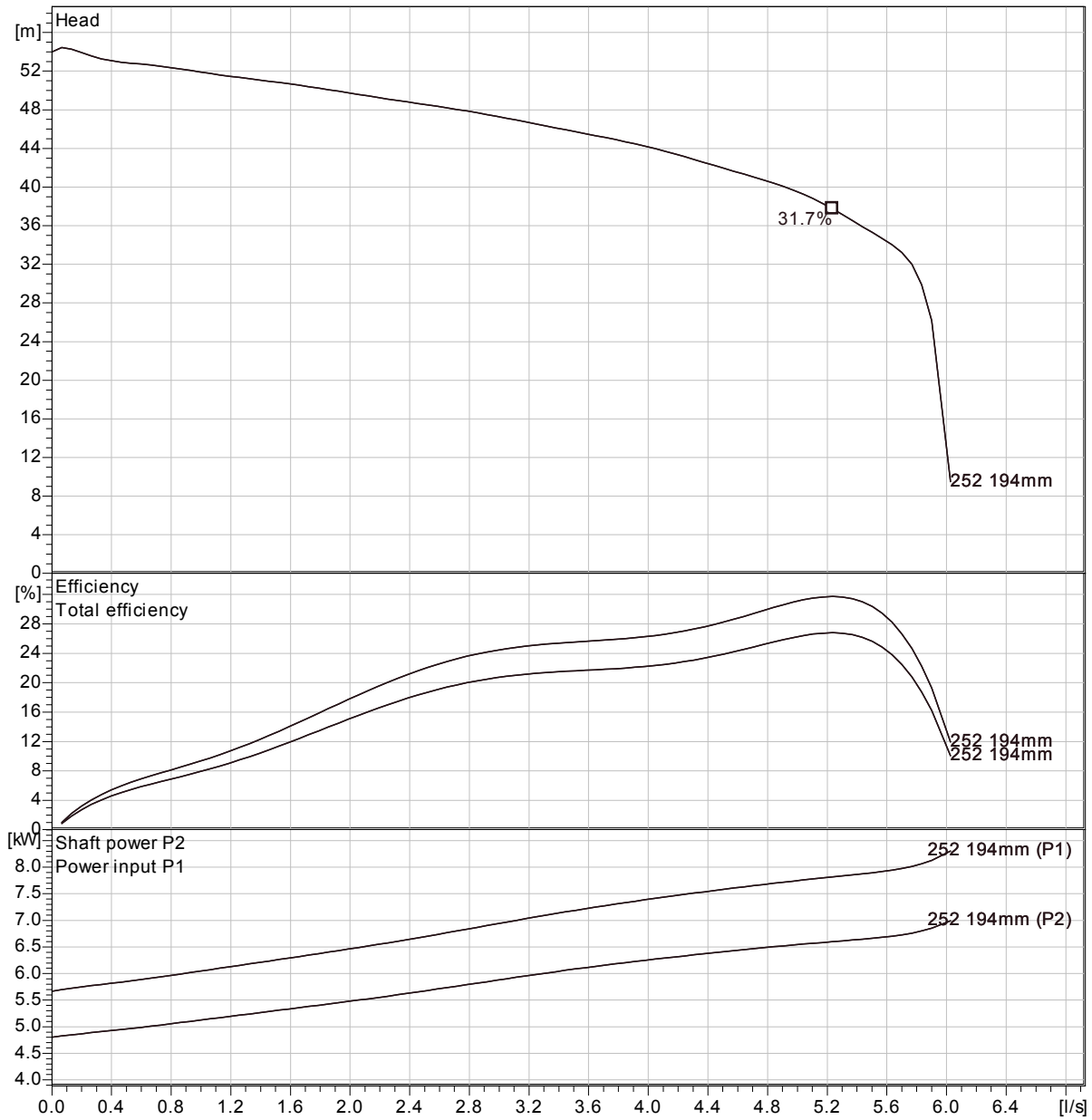
### Pump

Outlet width	50 mm
Inlet diameter	80 mm
Impeller diameter	194 mm
Number of blades	6

### Motor

Motor #	M3127.170 21-11-2AL-W 7,4KW
Stator variant	
Frequency	50 Hz
Rated voltage	415 V
Number of poles	2
Phases	3~
Rated power	7.4 kW
Rated current	13 A
Starting current	98 A
Rated speed	2895 rpm

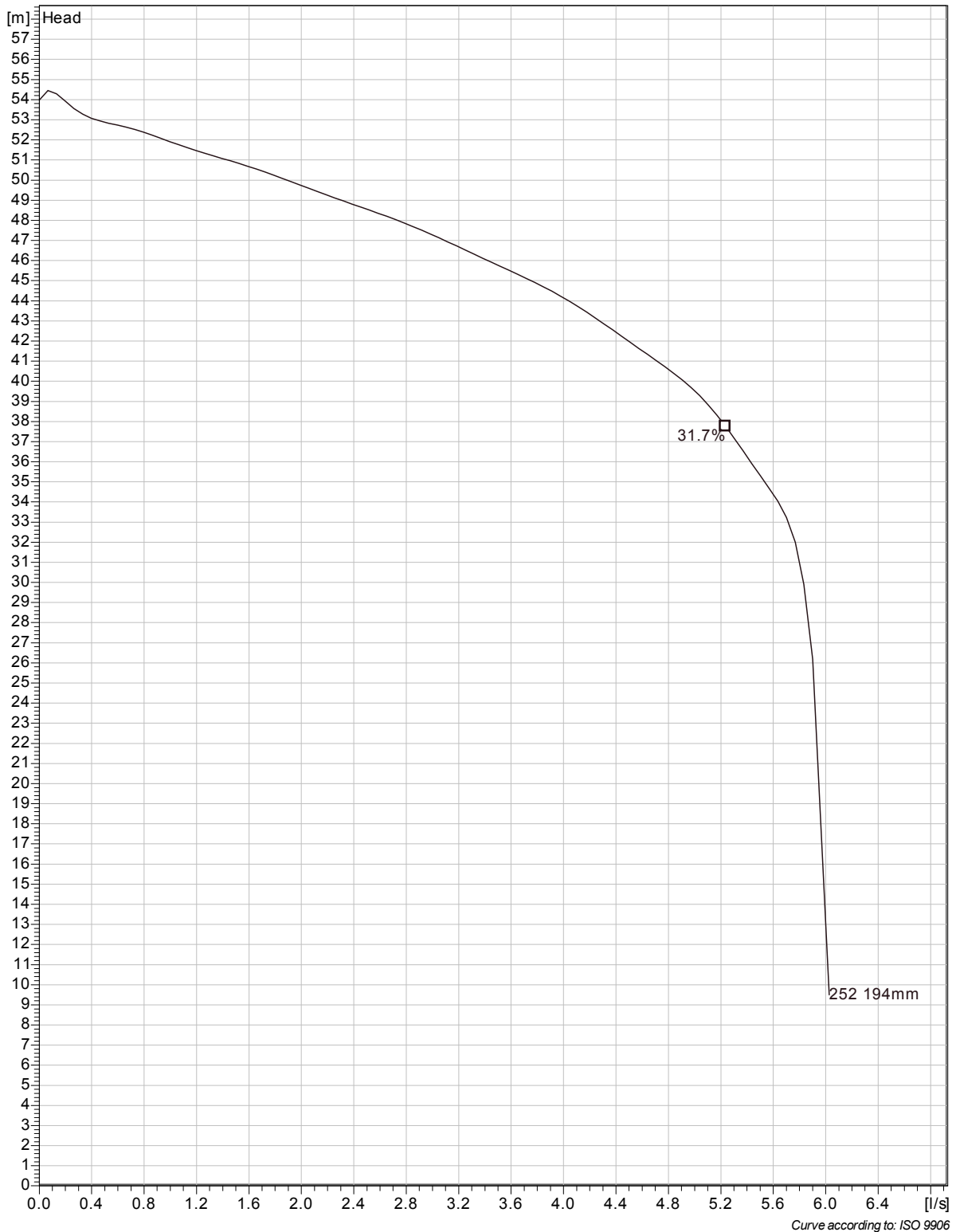
Power factor	
1/1 Load	0.92
3/4 Load	0.90
1/2 Load	0.86
Efficiency	
1/1 Load	83.5 %
3/4 Load	84.5 %
1/2 Load	83.5 %



Curve according to: ISO 9906

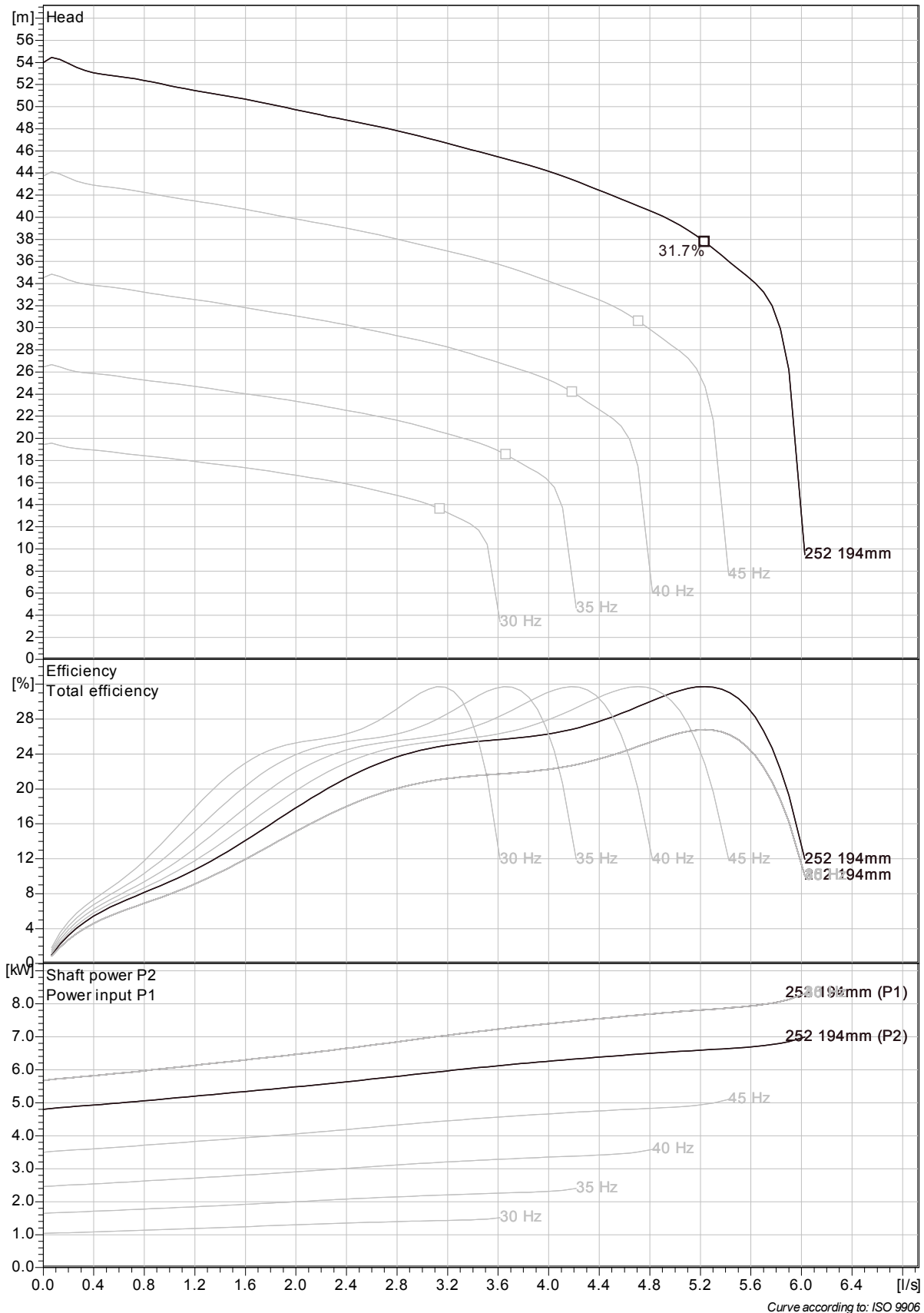
Project	Project ID	Created by	Created on <b>2012-10-25</b>	Last update
---------	------------	------------	---------------------------------	-------------

**MP 3127 HT 3~ 252**  
Duty Analysis



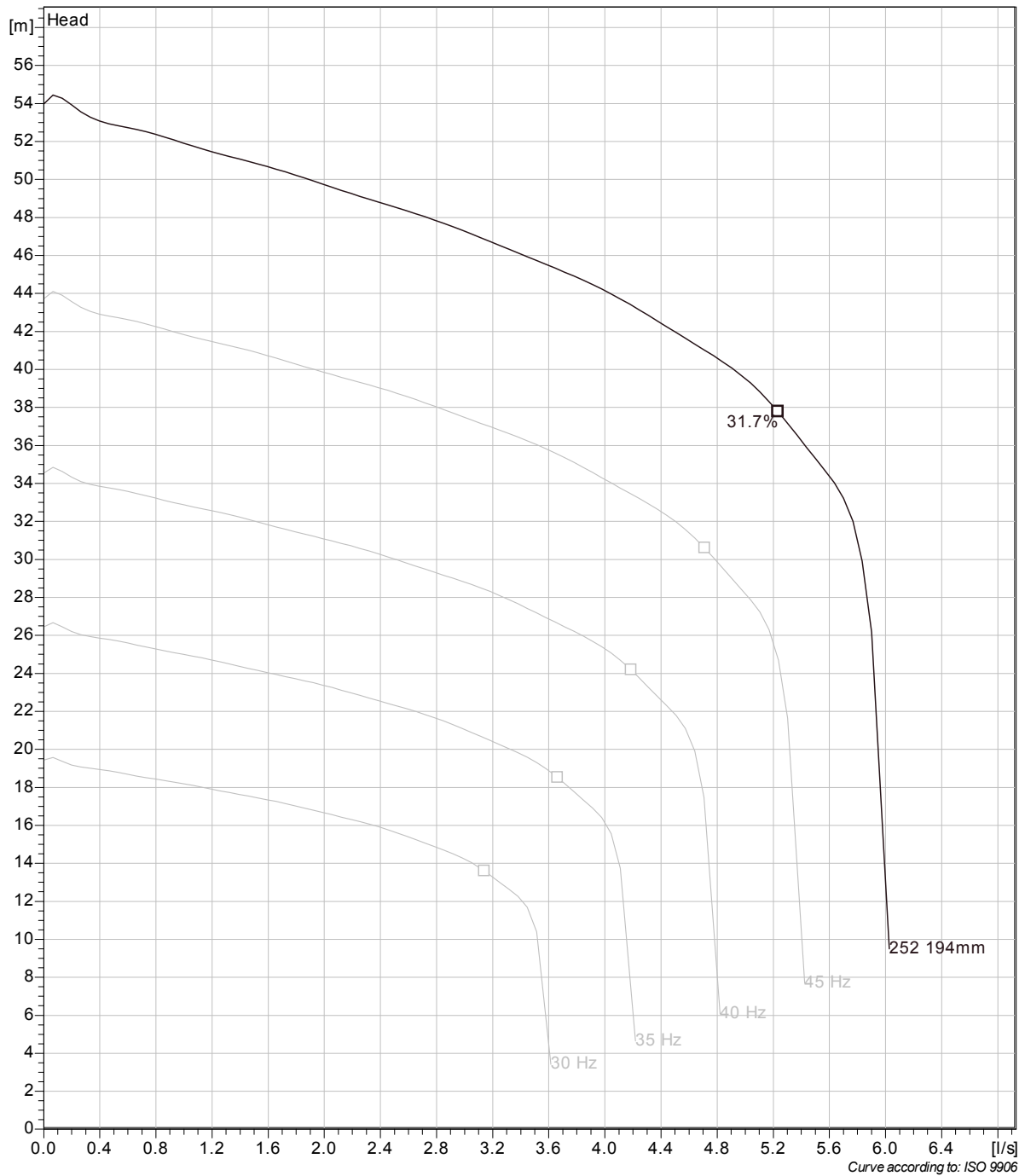
Project	Project ID	Created by	Created on	Last update
			2012-10-25	

**MP 3127 HT 3~ 252**  
VFD Curve



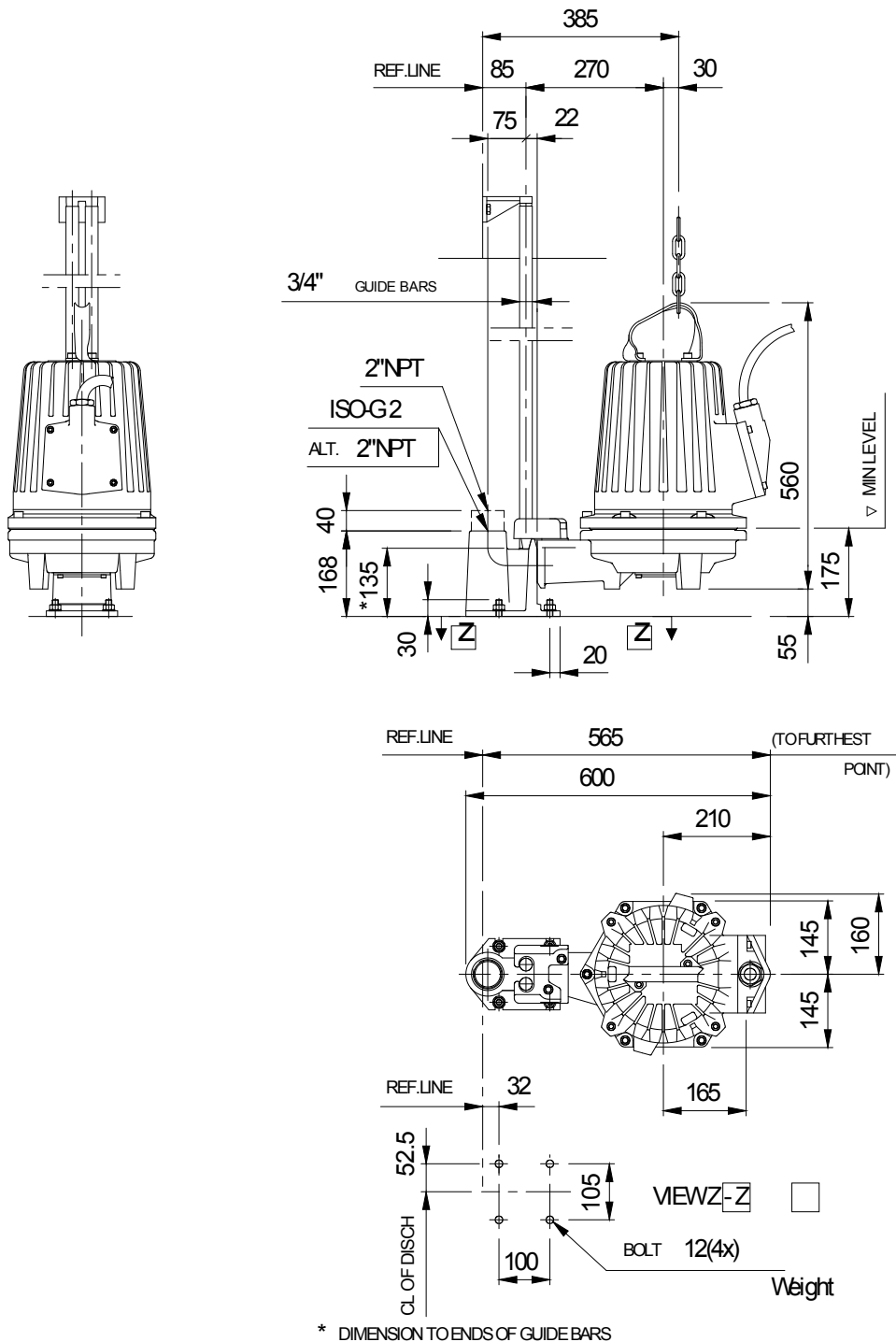
Project	Project ID	Created by	Created on	Last update
			2012-10-25	

**MP 3127 HT 3~ 252**  
VFD Analysis



Project	Project ID	Created by	Created on	Last update
			2012-10-25	

**MP 3127 HT 3~ 252**  
Dimensional drawing



Dimensional dvg  
MP3127HT,LT

Project	Project ID	Created by	Created on	Last update
			2012-10-25	