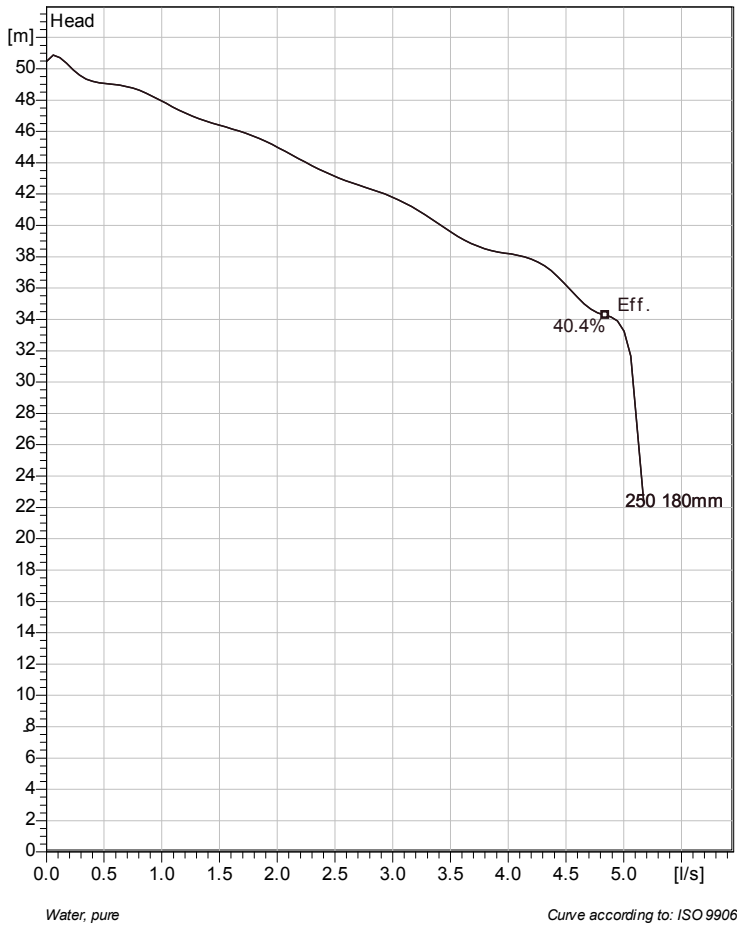


MP 3090 HT 3~ 250

Technical specification



Note: Picture might not correspond to the current configuration.

General

Semi-open multi-channel impellers with integral grinder cutter in single volute casing for liquids containing solids and fibres.

Impeller

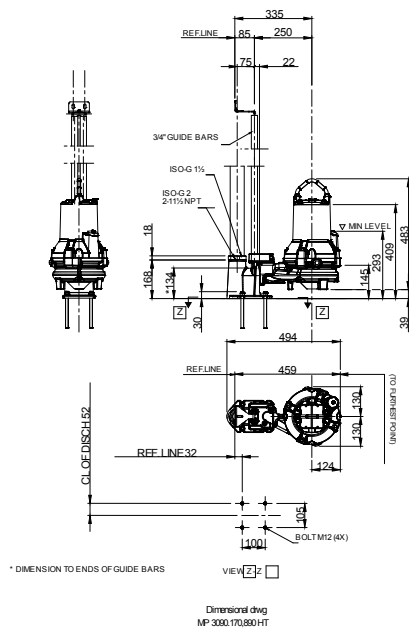
Impeller material	Grey cast iron
Discharge Flange Diameter	40 mm
Suction Flange Diameter	40 mm
Impeller diameter	180 mm
Number of blades	6

Motor

Motor #	M3090.170 15-12-2BB-W 4.3KW
Stator variant	5
Frequency	50 Hz
Rated voltage	400 V
Number of poles	2
Phases	3~
Rated power	4.3 kW
Rated current	8.4 A
Starting current	49 A
Rated speed	2845 rpm
Power factor	
1/1 Load	0.90
3/4 Load	0.85
1/2 Load	0.75
Efficiency	
1/1 Load	81.5 %
3/4 Load	84.5 %
1/2 Load	85.0 %

Configuration

Installation: P - Semi permanent, Wet



Project	Project ID	Created by	Created on 2015-06-15	Last update
---------	------------	------------	---------------------------------	-------------

MP 3090 HT 3~ 250

Performance curve

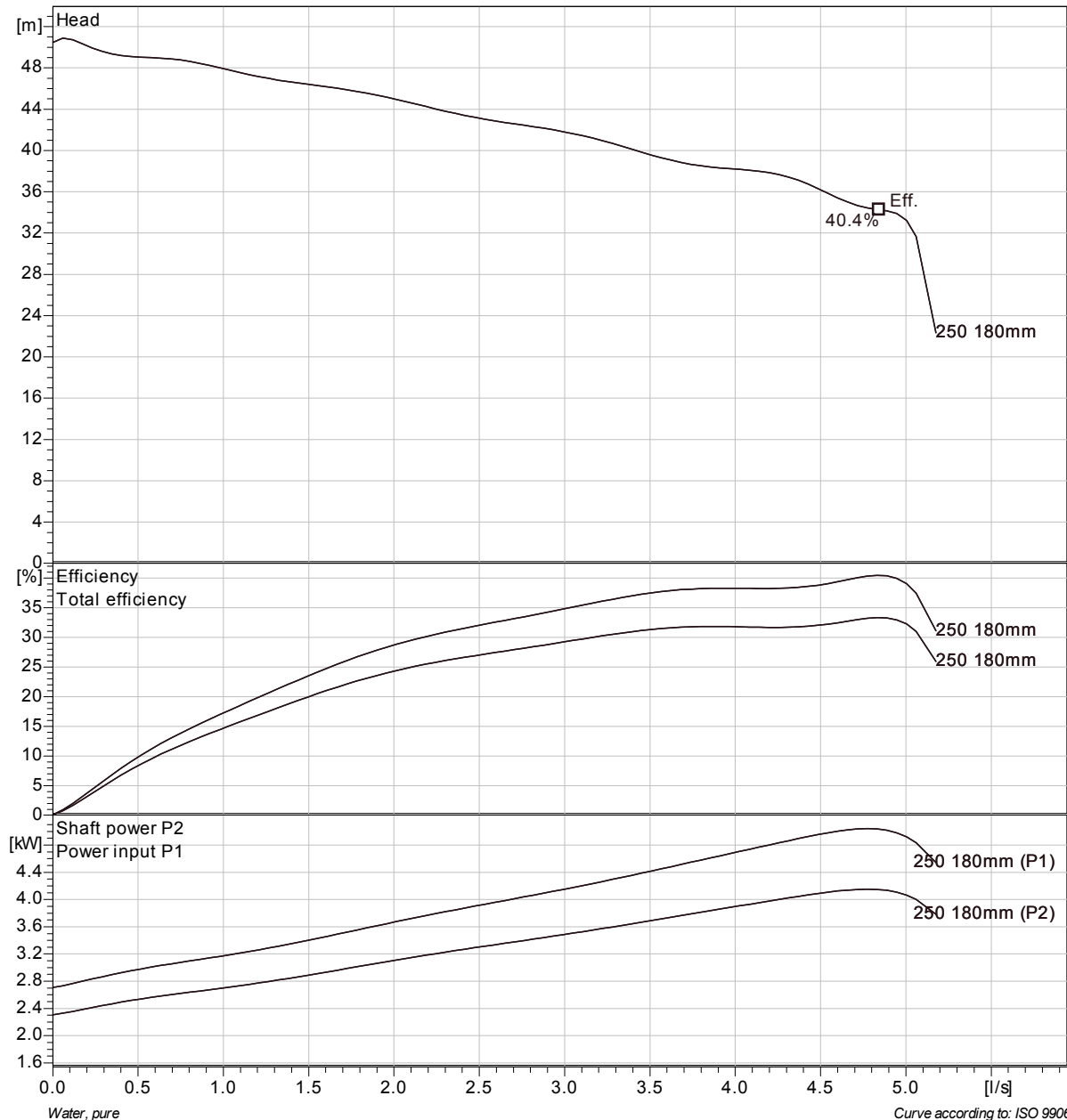
Pump

Discharge Flange Diameter 40 mm
Suction Flange Diameter 40 mm
Impeller diameter 180 mm
Number of blades 6

Motor

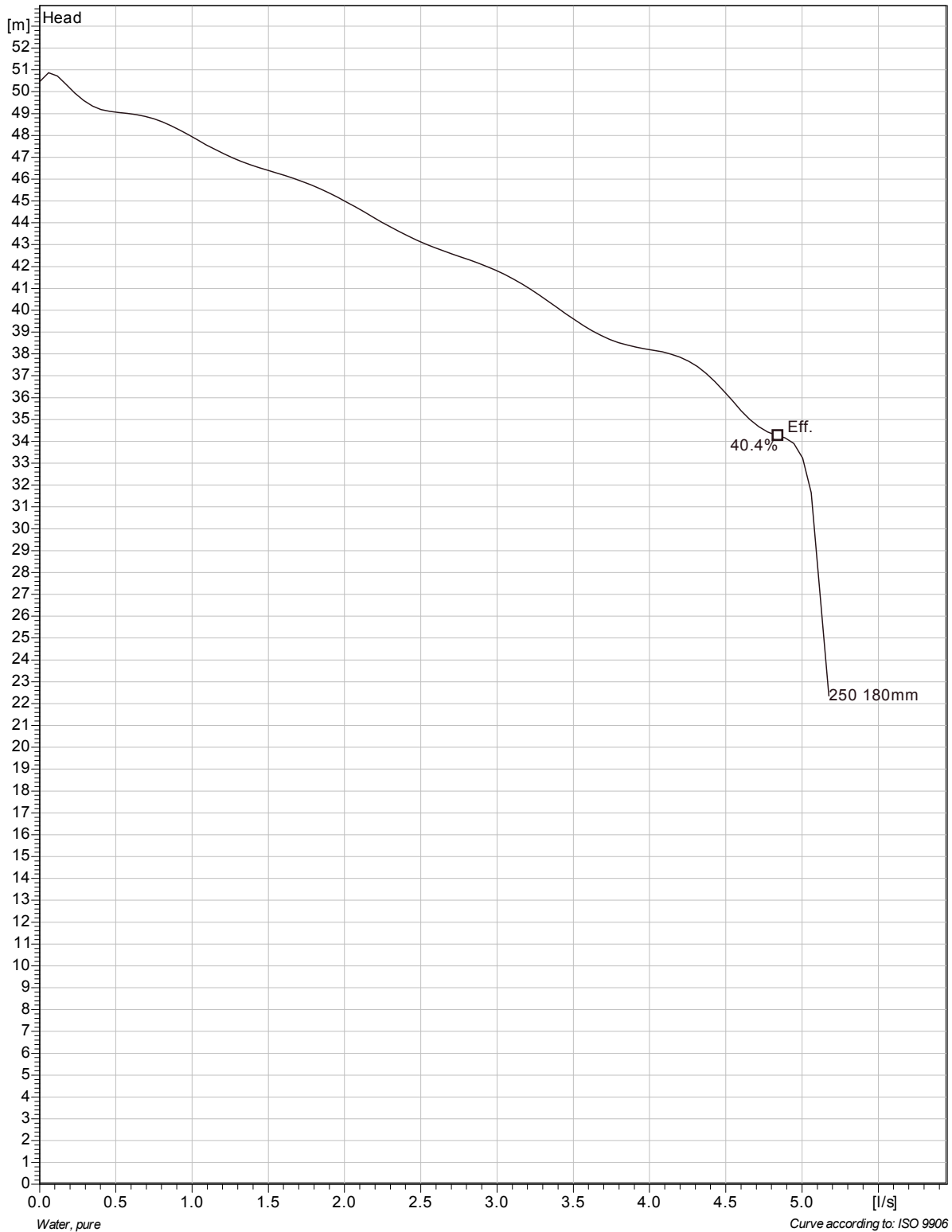
Motor # M3090.170 15-12-2BB-W 4.3KW
Stator variant 5
Frequency 50 Hz
Rated voltage 400 V
Number of poles 2
Phases 3~
Rated power 4.3 kW
Rated current 8.4 A
Starting current 49 A
Rated speed 2845 rpm

Power factor
1/1 Load 0.90
3/4 Load 0.85
1/2 Load 0.75
Efficiency
1/1 Load 81.5 %
3/4 Load 84.5 %
1/2 Load 85.0 %



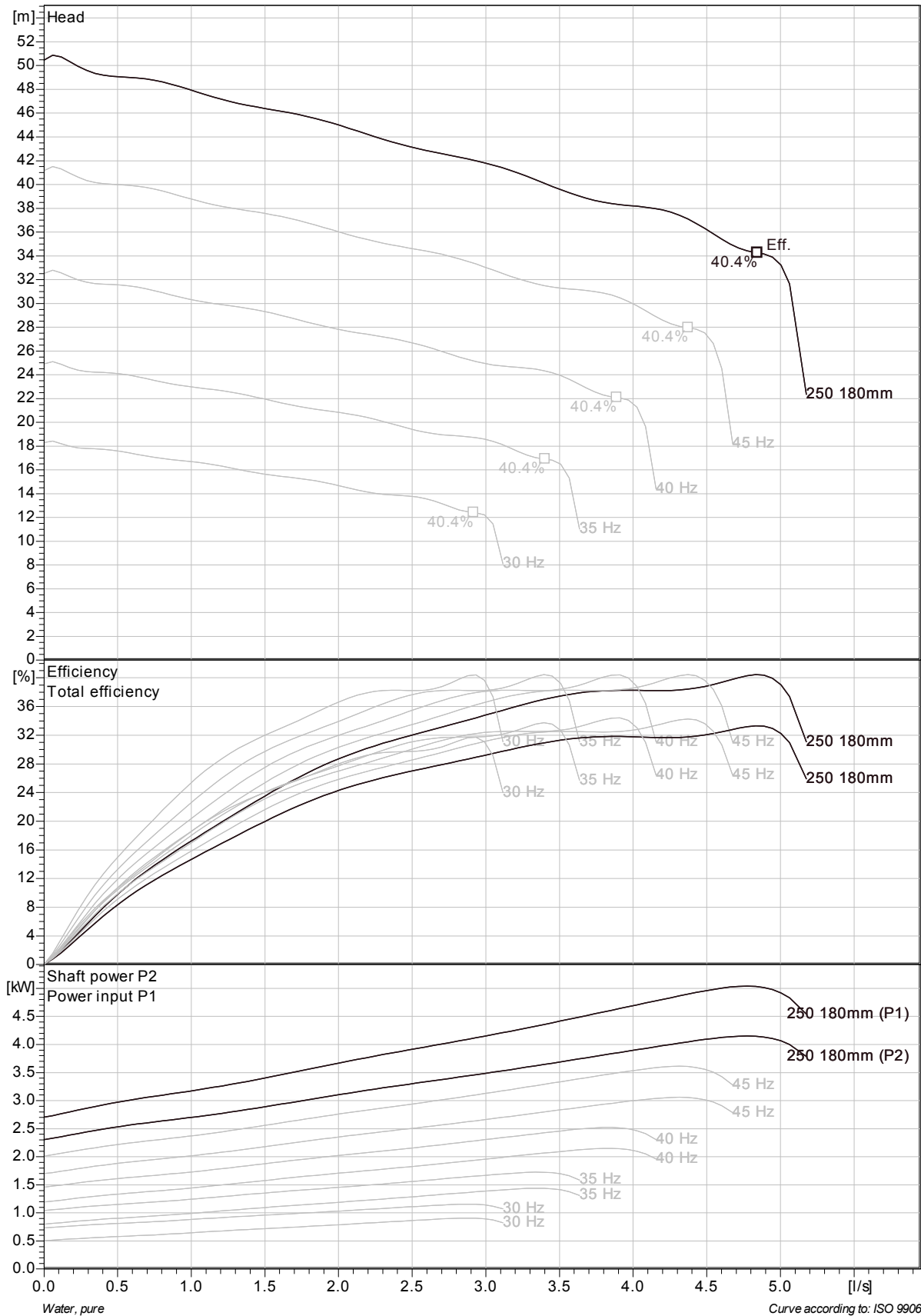
Project	Project ID	Created by	Created on 2015-06-15	Last update
---------	------------	------------	---------------------------------	-------------

MP 3090 HT 3~ 250
Duty Analysis



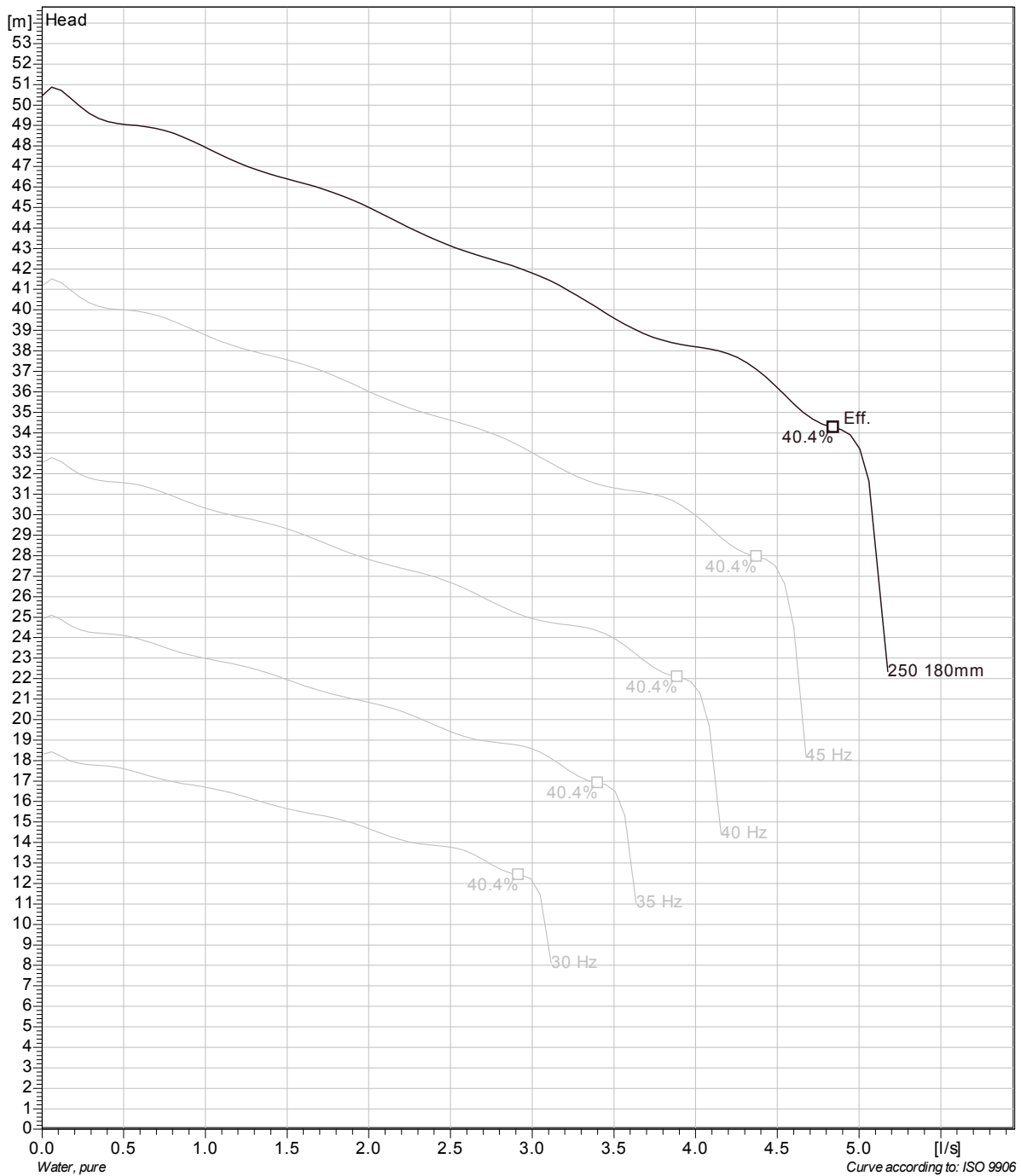
Project	Project ID	Created by	Created on	Last update
			2015-06-15	

MP 3090 HT 3~ 250
VFD Curve



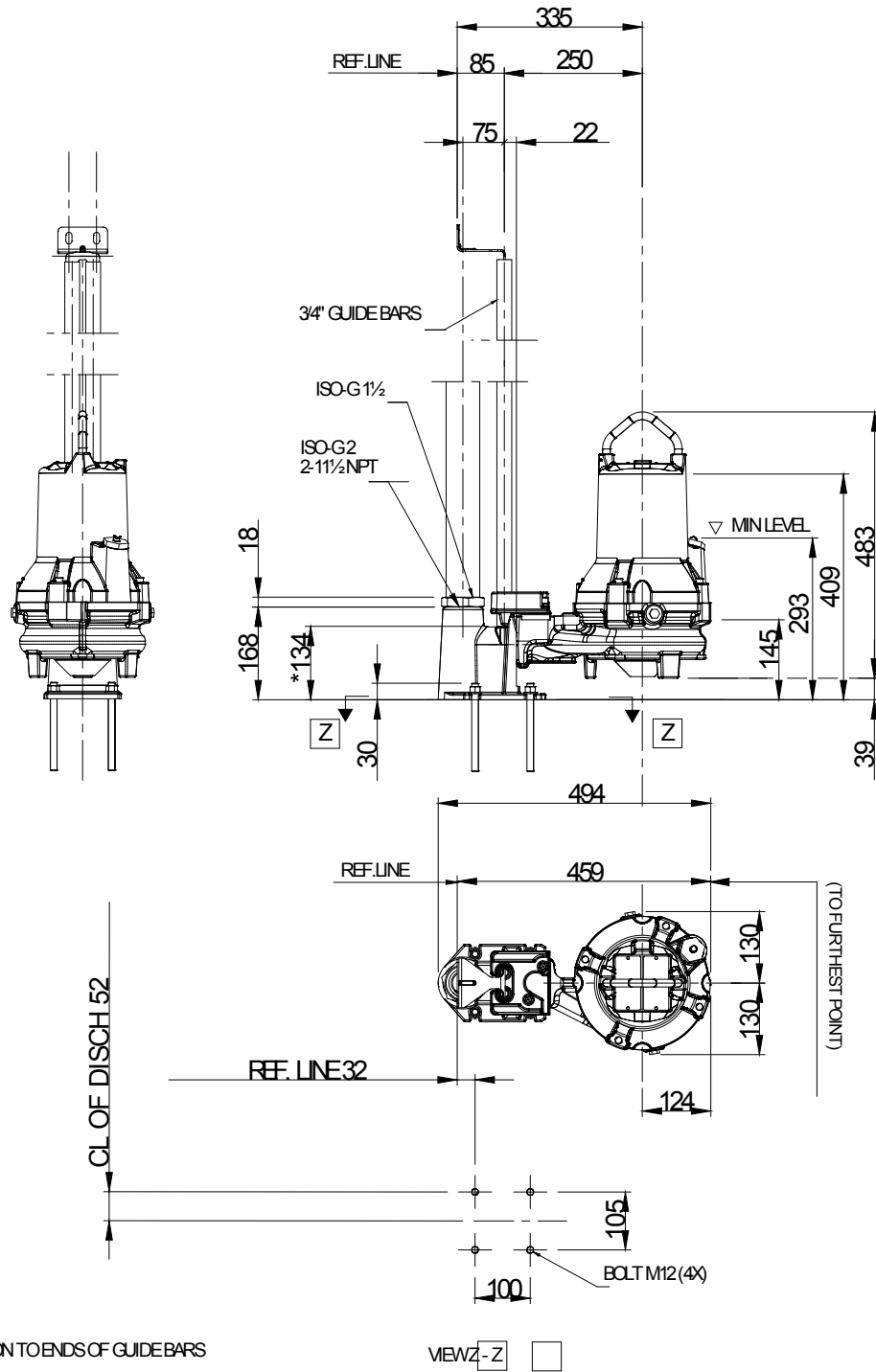
Project	Project ID	Created by	Created on	Last update
			2015-06-15	

MP 3090 HT 3~ 250
VFD Analysis



Project	Project ID	Created by	Created on	Last update
			2015-06-15	

MP 3090 HT 3~ 250
Dimensional drawing



Dimensional dwg
MP 3090.170,890 HT

Project	Project ID	Created by	Created on	Last update
			2015-06-15	