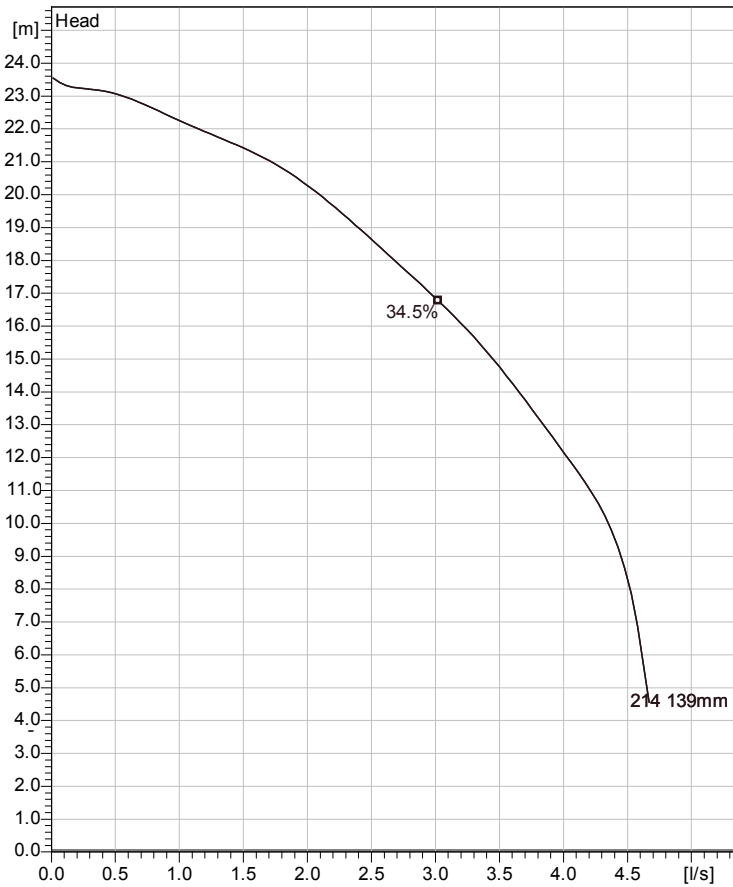


**MF 3068 HT 3~ 214**  
Technical specification



Curve according to: ISO 9906



Note: Picture might not correspond to the current configuration.

**General**

Semi-open multi-channel impellers with integral grinder cutter in single volute casing for liquids containing solids and fibres.

**Impeller**

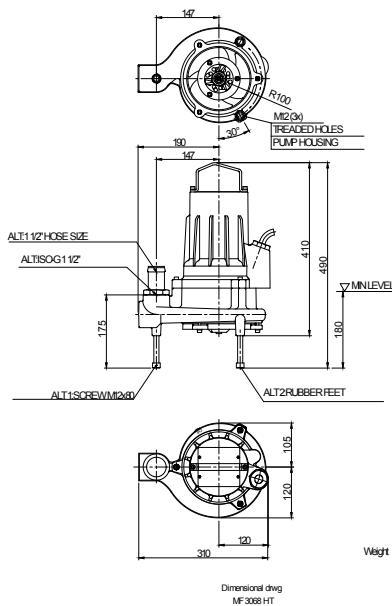
Impeller material	Grey cast iron
Outlet width	40 mm
Inlet diameter	
Impeller diameter	139 mm
Number of blades	10
Throughlet diameter	6 mm

**Motor**

Motor #	M3068.170 13-08-2BB-W 1,7KW
Stator variant	
Frequency	50 Hz
Rated voltage	190 V
Number of poles	2
Phases	3~
Rated power	1.7 kW
Rated current	8 A
Starting current	36 A
Rated speed	2705 rpm
Power factor	
1/1 Load	0.86
3/4 Load	0.80
1/2 Load	0.68
Efficiency	
1/1 Load	74.5 %
3/4 Load	78.0 %
1/2 Load	78.5 %

**Configuration**

Installation: F - Free standing Semi permanent, Wet



Project	Project ID	Created by	Created on 2012-10-25	Last update
---------	------------	------------	--------------------------	-------------

## MF 3068 HT 3~ 214

### Performance curve

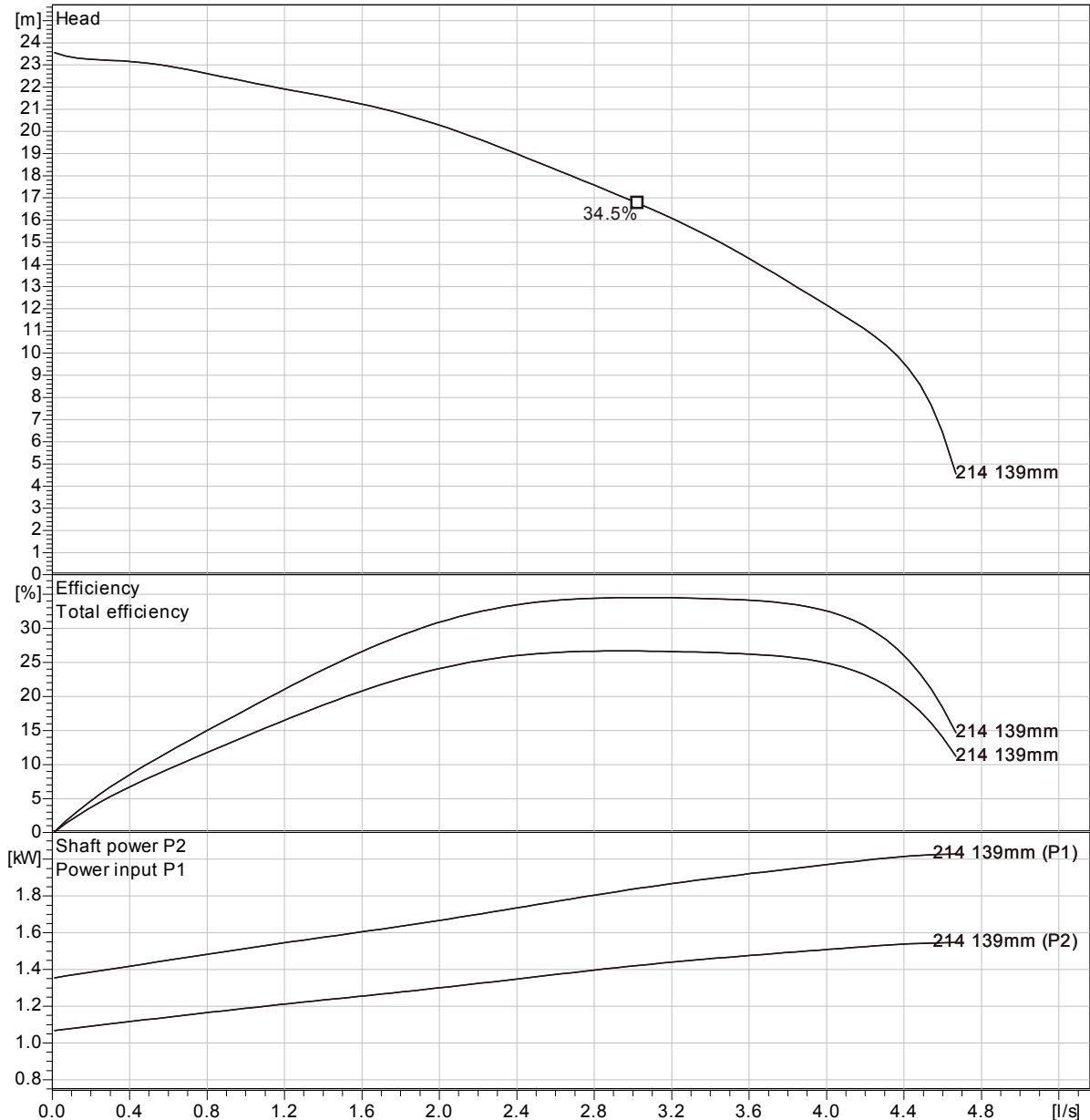
#### Pump

Outlet width	40 mm
Inlet diameter	139 mm
Impeller diameter	10
Number of blades	6 mm
Throughlet diameter	

#### Motor

Motor #	M3068.170 13-08-2BB-W 1,7KW
Stator variant	
Frequency	50 Hz
Rated voltage	190 V
Number of poles	2
Phases	3~
Rated power	1.7 kW
Rated current	8 A
Starting current	36 A
Rated speed	2705 rpm

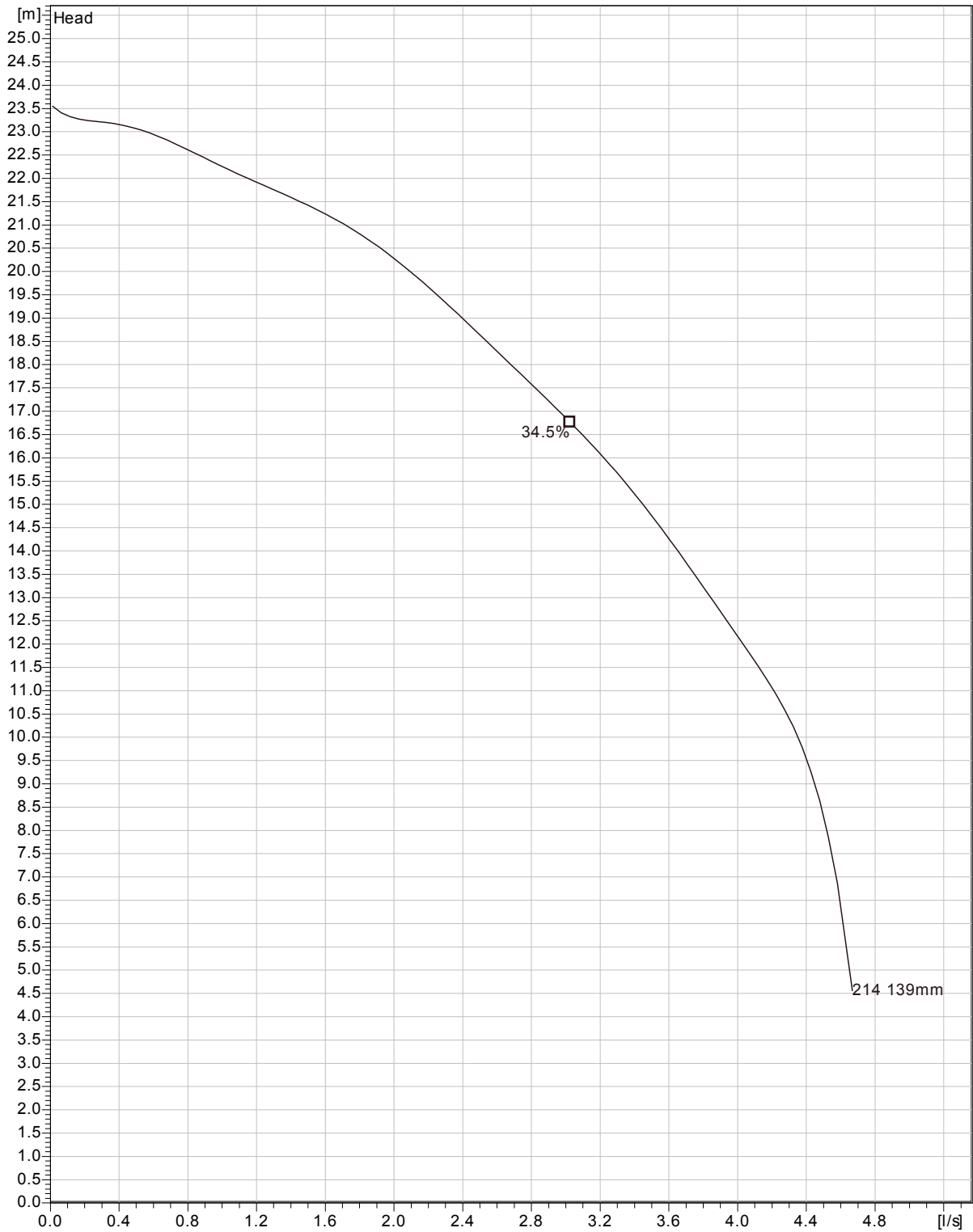
Power factor	
1/1 Load	0.86
3/4 Load	0.80
1/2 Load	0.68
Efficiency	
1/1 Load	74.5 %
3/4 Load	78.0 %
1/2 Load	78.5 %



Curve according to: ISO 9906

Project	Project ID	Created by	Created on <b>2012-10-25</b>	Last update
---------	------------	------------	---------------------------------	-------------

**MF 3068 HT 3~ 214**  
Duty Analysis



Curve according to: ISO 9906

Project	Project ID	Created by	Created on	Last update
			2012-10-25	