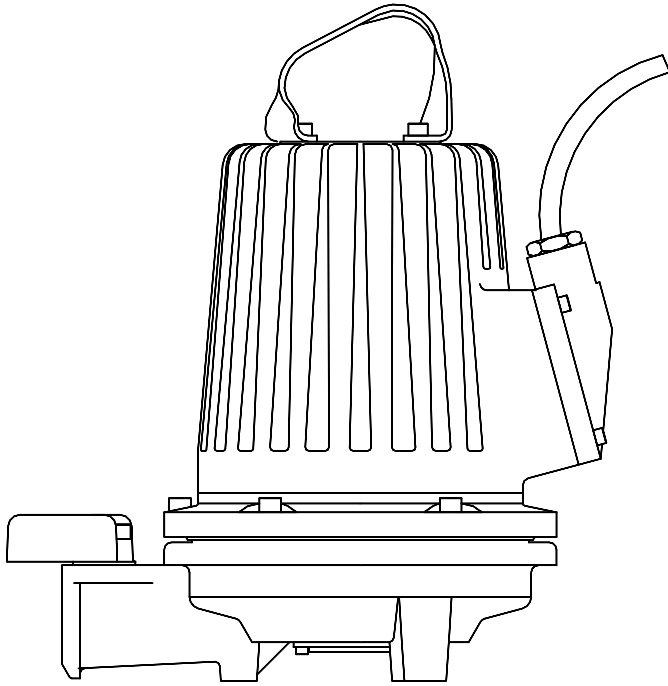
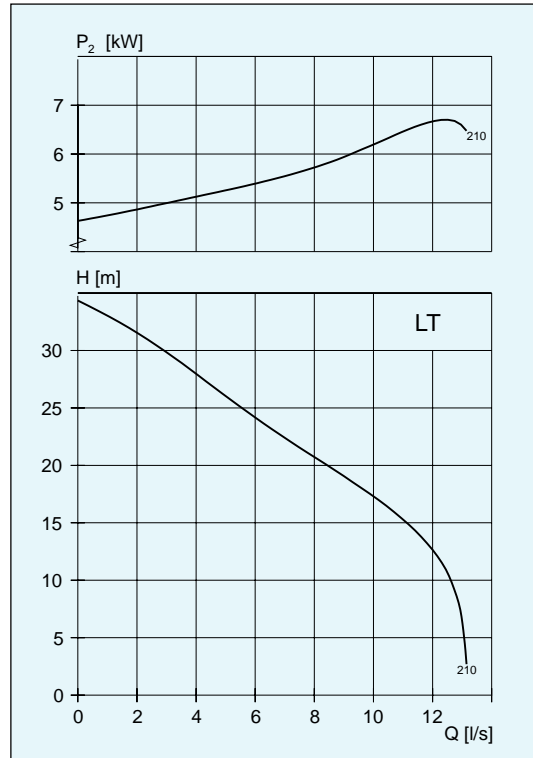


M 3127



Weight, kg	MP	MF
LT/HT	109	109

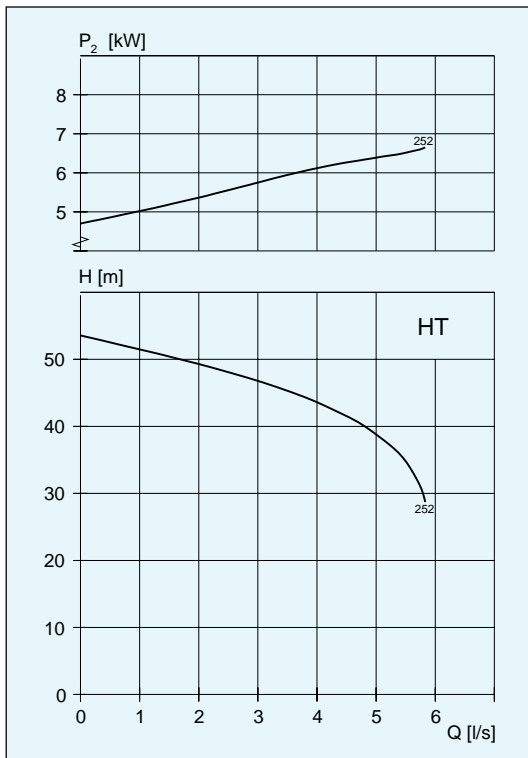
MP/MF



Impeller code	Overall dia mm MP vers	Motor rating, kW		rpm	Available versions
		P_1	P_2		
• 210	∅ 50	8.7	7.4	2905	MP/MF

• Can be equipped with flush valve

MP/MF



Impeller code	Overall dia mm MP vers	Motor rating, kW		rpm	Available versions
		P_1	P_2		
252	∅ 50	8.7	7.4	2905	MP/MF