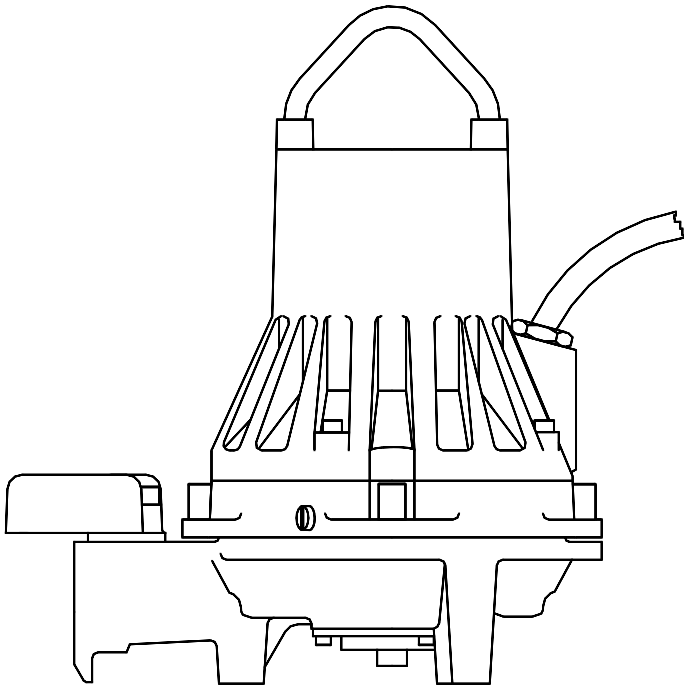
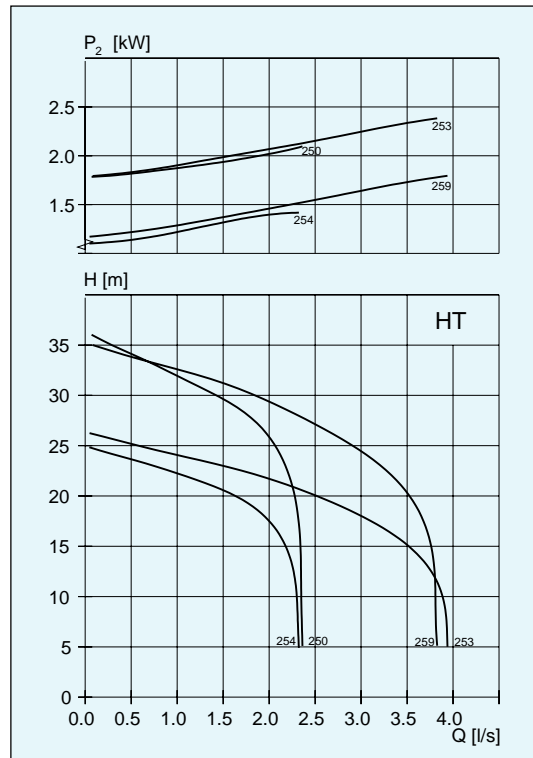


M 3085



Pump type	MP	MH	MF
Weight, kg	53	52	53

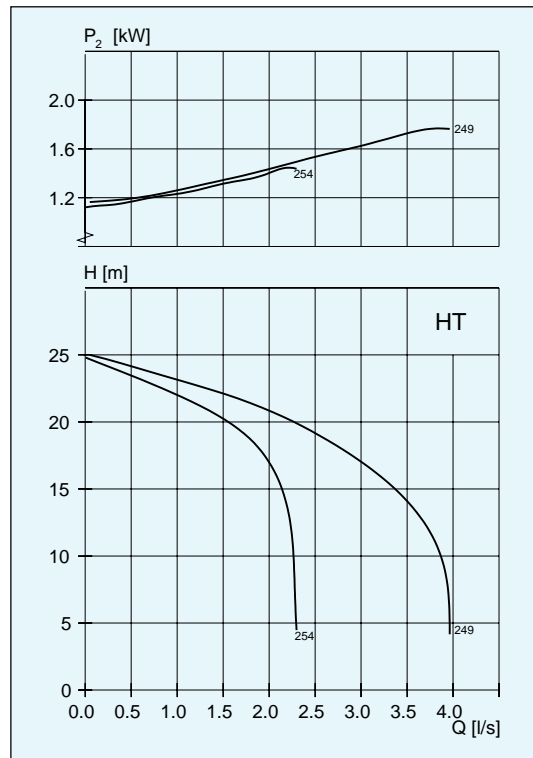
MP/MH/MF



Impeller code	Overall dia mm MP vers	Motor rating, kW		rpm	Available versions
		P ₁	P ₂		
• 250	∅ 50	3.0	2.4	2830	MP/MH/MF
• 253	∅ 50	3.0	2.4	2830	MP/MH/MF
• 254	∅ 50	3.0	2.4	2830	MP/MH/MF
• 254	∅ 50	2.2	1.8	2880	MP/MH/MF
• 259	∅ 50	3.0	2.4	2830	MP/MH/MF
• 259	∅ 50	2.2	1.8	2880	MP/MH/MF

• Can be equipped with flush valve

MP/MH/MF



Impeller code	Overall dia mm MP vers	Motor rating, kW		rpm	Available versions
		P ₁	P ₂		
• 249 *	∅ 50	2.5	1.9	2915	MP/MH/MF
• 254 *	∅ 50	2.5	1.9	2915	MP/MH/MF

* Single-phase.