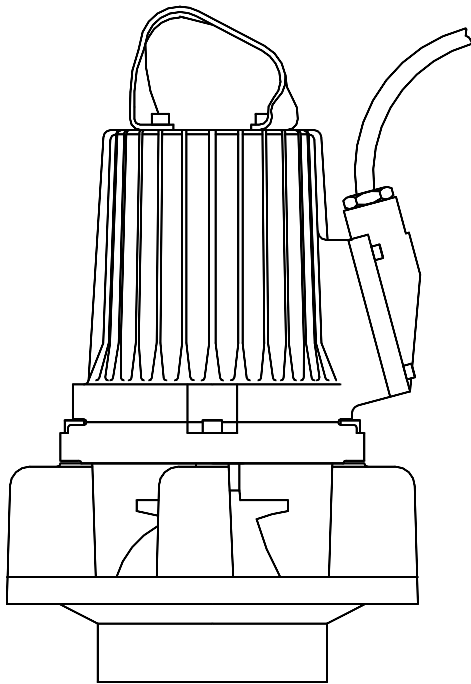
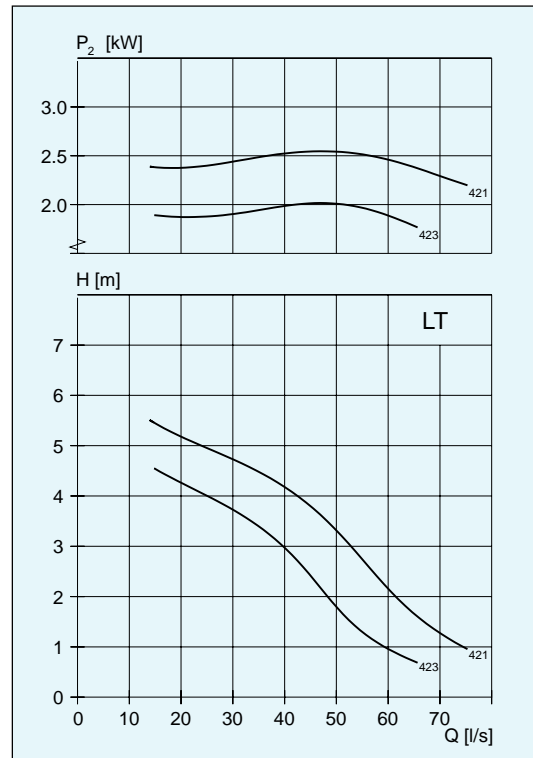


# NL 3102



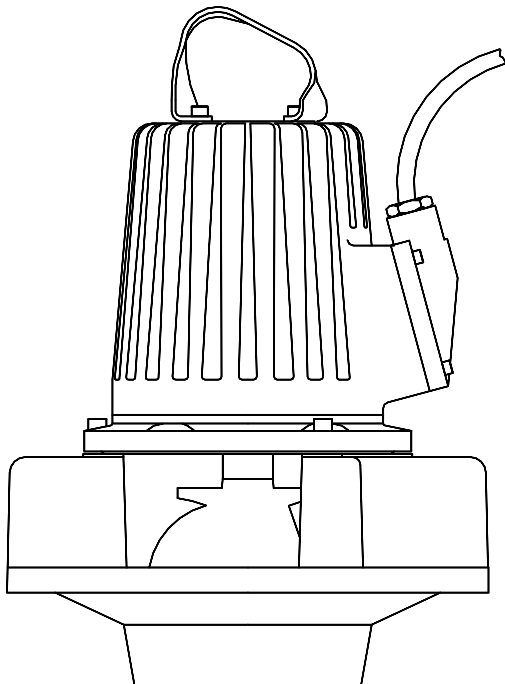
Pump type	NL
Weight, kg	99

# NL



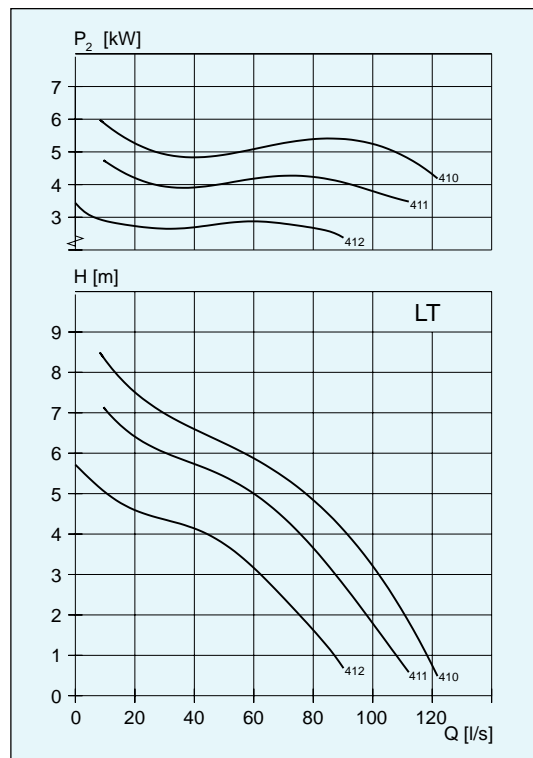
Impeller code	Overall dia mm diffuser ring	Motor rating, kW		rpm
		$P_1$	$P_2$	
W421	∅380	3.8	3.1	1435
W423	∅380	3.8	3.1	1435

# L 3127



Pump type	L
Weight, kg	133

# L



Impeller code	Overall dia mm diffuser ring	Motor rating, kW		rpm
		$P_1$	$P_2$	
W410	∅480	7.1	5.9	1445
W411	∅480	7.1	5.9	1445
411	∅480	5.7	4.7	1445
W412	∅480	7.1	5.9	1445
412	∅480	5.7	4.7	1445