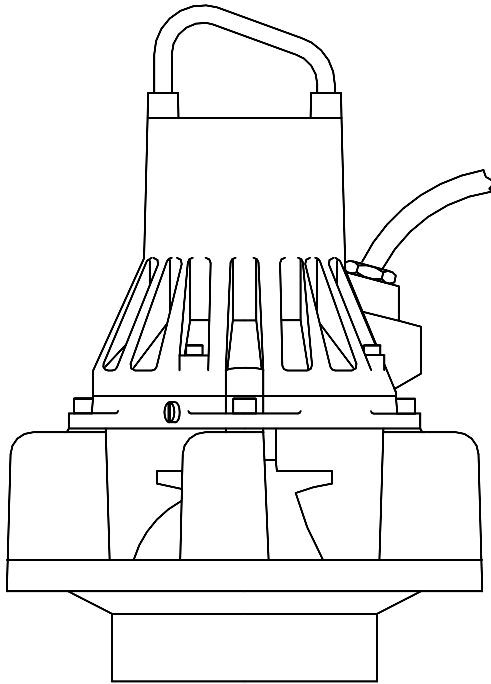
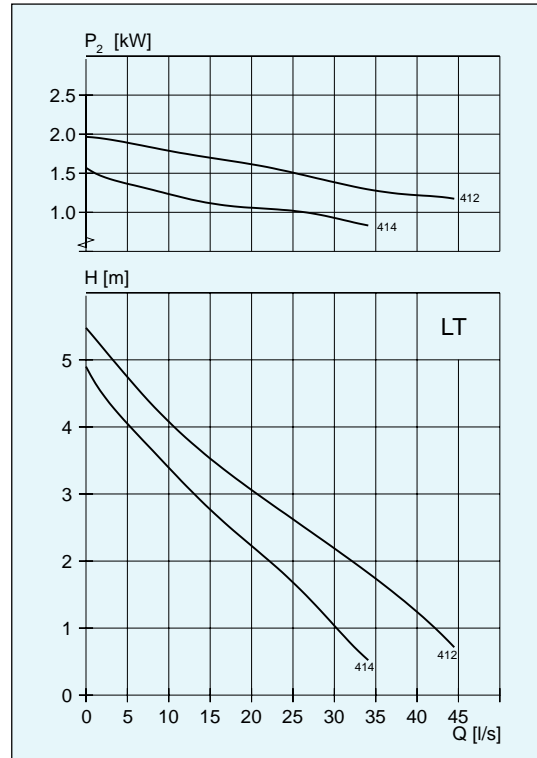


## L 3085



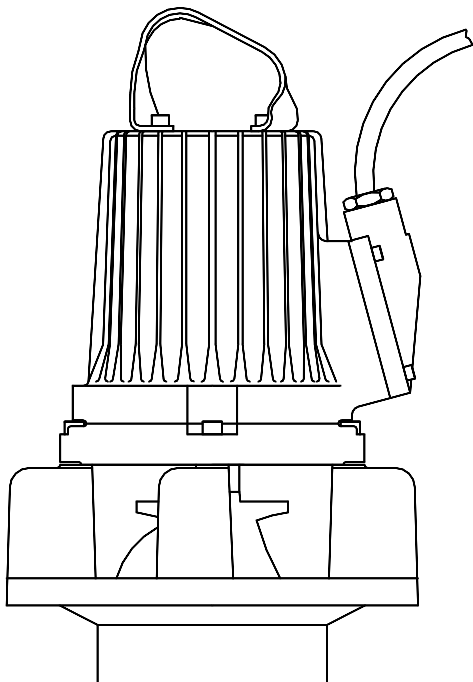
Pump type	L
Weight, kg	75

## L



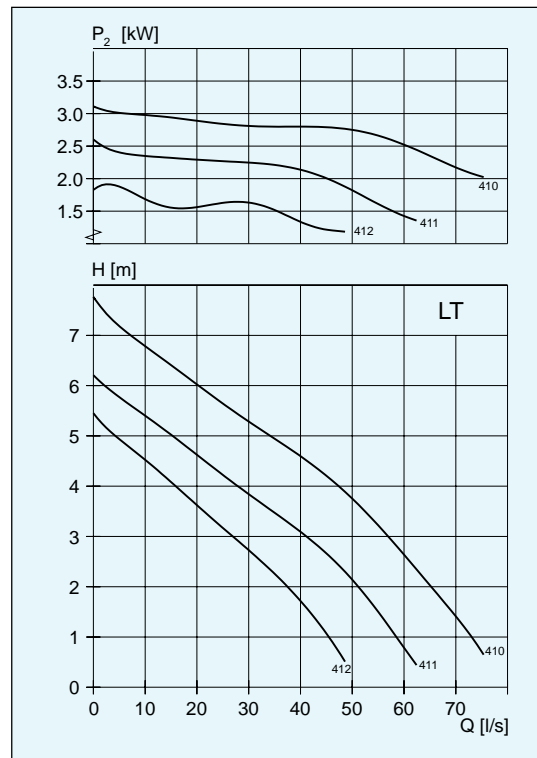
Impeller code	Overall dia mm diffuser ring	Motor rating, kW		rpm
		$P_1$	$P_2$	
W412	∅ 380	2.7	2.0	1385
W414	∅ 380	2.7	2.0	1395

## L 3102



Pump type	L
Weight, kg	95

## L



Impeller code	Overall dia mm diffuser ring	Motor rating, kW		rpm
		$P_1$	$P_2$	
W410	∅ 380	3.8	3.1	1435
W411	∅ 380	3.8	3.1	1435
W412	∅ 380	3.8	3.1	1435