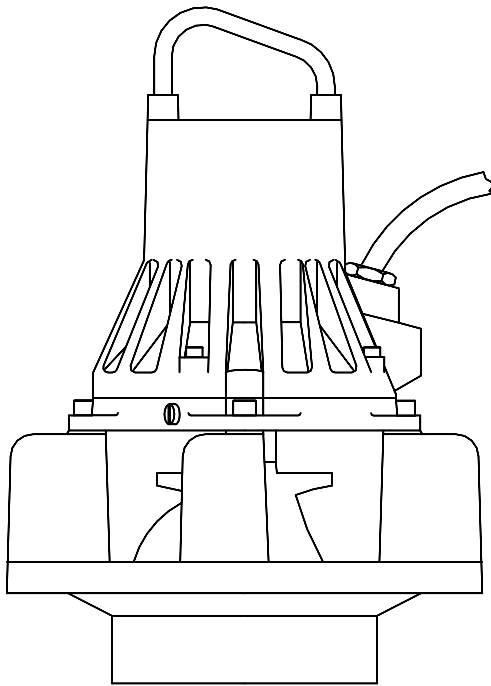
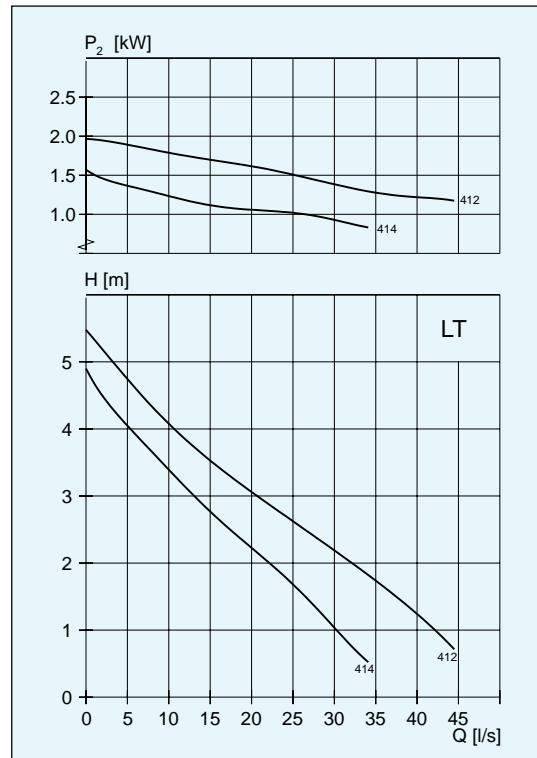


L 3085



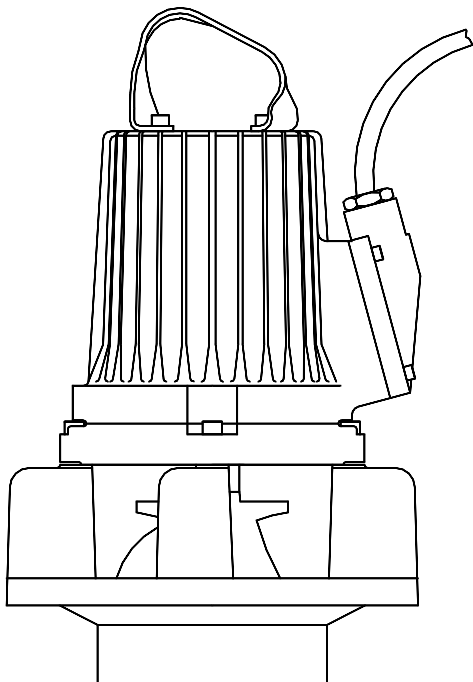
Pump type	L
Weight, kg	75

L



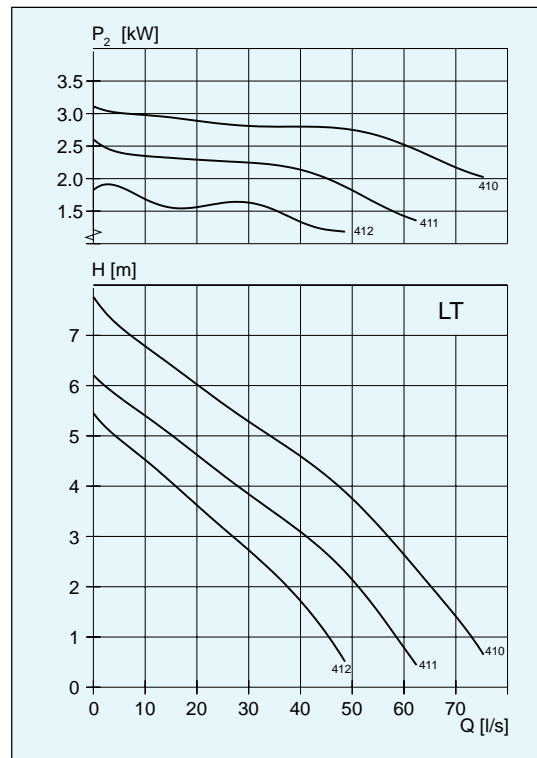
Impeller code	Overall dia mm diffuser ring	Motor rating, kW		rpm
		P ₁	P ₂	
W412	∅ 380	2.7	2.0	1385
W414	∅ 380	2.7	2.0	1395

L 3102



Pump type	L
Weight, kg	95

L



Impeller code	Overall dia mm diffuser ring	Motor rating, kW		rpm
		P ₁	P ₂	
W410	∅ 380	3.8	3.1	1435
W411	∅ 380	3.8	3.1	1435
W412	∅ 380	3.8	3.1	1435