



# Flygt Submersible Pumps

AVAILABLE FOR RENTAL AND SALE



[www.motralec.com](http://www.motralec.com) / [service-commercial@motralec.com](mailto:service-commercial@motralec.com) / 01.39.97.65.10



## Your Task. Our Force.

Xylem offers a broad range of Flygt pumps for construction, mining, municipalities, and other markets. We provide an industry-leading rental fleet, world-class engineering support, and true 24/7 service and support.

Our great pumps are available to meet all of your needs—with MSHA approval, in stainless steel, and in hard iron options—and available for rental and sale.

[www.motralec.com](http://www.motralec.com) / [service-commercial@motralec.com](mailto:service-commercial@motralec.com) / 01.39.97.65.10

# Table of Contents

|  |       |
|--|-------|
| Pump Features.....   | 5     |
| 2600 Series Dewatering Pumps.....  | 8-9   |
| 2600 Series Sludge Pumps .....   | 10    |
| VORTEX IMPELLERS   |       |
| BIBO 2800 Series Dewatering Pumps.....                                       | 14-15 |
| 2000 Series Dewatering Pumps.....  | 16-18 |
| Stainless Steel 2700 Series Dewatering Pumps....                             | 19    |
| Stainless Steel 2700 Series Sludge Pumps<br>VORTEX IMPELLERS .....           | 20    |
| Stainless Steel 3000 Series Sludge and<br>Solids-Handling Sewage Pumps ..... | 22    |
| 3000 Series Solids-Handling Sewage Pumps<br>CLOSED IMPELLERS .....           | 23    |
| 3000 Series N-Pump Sewage Pumps<br>N-IMPELLERS .....                         | 25-27 |
| 3000 Series Heavy-Duty Sewage Pumps<br>for Rental .....                      | 28-29 |
| 5000 Series Heavy-Duty Slurry Pumps.....                                     | 31-33 |
| Flygt Accessories.....   | 34-35 |



# Over 60 years of dependable pumping

Since they were developed over sixty years ago, customers have come to trust the compact, heavy-duty design of Flygt submersible pumps. The Flygt brand was the first to provide a practical, heavy-duty electric submersible pump that could withstand the severe demands of construction site and mine dewatering and yet still offer total portability. Over time, these early submersibles became the prototype for a full range of other hard-working Flygt submersible pumps, all built in the same tradition of dependability.

We know from years of experience what it takes to design and manufacture the finest heavy-duty submersible equipment. High tolerance machining is a standard manufacturing process for all parts that make up our products. It takes many precise steps, along with quality O-rings, to achieve the exceptional "fit" needed to keep a submersible motor dry. This includes critical sealing areas, such as where the power cable enters the pump. All parts are machined so the right amount of compression force is applied between the sealing grommet, cable and pump body, each and every time the cable entry bolts are tightened. The result is a dependable compression cable seal, which can easily be serviced in the field, and does not require epoxy sealers.

Precision machining with the outer stator core diameter and inner motor housing surface allows us to precisely shrink-fit the motor stator core into the housing. This feature provides a uniform metal-to-metal contact between the heat producing motor and its housing, resulting in exceptional cooling without the need for messy, expensive cooling oil.

## The 2600 Series

Continuing its tradition of excellence, Xylem has recently introduced the 2600 Series, the newest line of Flygt dewatering pumps. This series features innovative hydraulics, fewer components, new materials and a practical, ergonomic design. The patented DuraSpin™ hydraulic system and newly designed impeller improves wear resistance and sustains performance over time. The wear-resistant closed impellers are made from high-chrome cast iron. A single screw enables fast and easy adjustment for maximum pump performance. During scheduled maintenance, a moderately worn hydraulic end can be quickly adjusted back to virtually full performance. The unique one-piece Plug-In™ seal incorporates two mechanical seals for double protection against liquid penetration.

The results of these features together in one pump:

- Unmatched wear resistance
- Consistent long-term performance
- Less downtime resulting in the lowest possible cost of ownership
- Three times more wear-resistant compared to traditional dewatering pumps

Xylem's Flygt brand continues to offer the most complete range of heavy-duty submersible pumps, backed by a nationwide network of service centers stocked with genuine Flygt pumps and parts. When dependability counts, specify the best... specify Flygt pumps.



The original submersible pumps had a distinctive bell-like shape.



The earliest electric submersible dewatering pump, developed by Flygt, was called the "Parrot Cage" after its unusual look. In 1948 the first practical version, model B-80, went into full production and became the prototype for a complete line of other hard working submersibles, all built in the same tradition of dependability.





The pumps in the 2600 series cover almost any dewatering application at worksites of all sizes, including construction sites, mines, quarries and other harsh environments. The slim design allows the pumps to be installed in pipes used for active dewatering. High wear-resistance and ease of service make 2600 series pumps the clear choice for contractors.



Compact Flygt pumps can be installed virtually anywhere dewatering is required. Multiple pumps equipped with high volume impellers allow large amounts of water to be pumped quickly. Flygt's exclusive motor design places the heat producing stator in direct contact with the motor housing, which provides optimum cooling even under non-submerged conditions.



Flygt submersible pumps are routinely used to remove abrasive, dirty water from quarries with steep embankments and severe heights. When equipped with high-head impellers, check valves and optional tandem coupling kits, submersible pumps offer an excellent solution. Quarry installations can also include mounting the pump from a floating raft to keep it off the rough or soft bottom and accommodate varying water depths.

# Spot the innovations

At first glance you might not see what's fantastic about the Flygt 2600 series. That's OK. Maybe you need to be as much into pumps as we are to see the innovation in the Flygt 2600's unique design. A design that we're proud to say brings a high level of reliability and robustness to the dewatering world.

## Just let it run

You don't want to spend your time babysitting pumps. You just want to switch it on and let it pump. That's why the pump have dry running capabilities.

- A Air valve**  
The cooler the motor, the better the performance. The air valve opens when the pump is running dry.
- B Class H motor**  
Highly efficient to reduce generated heat.
- C Aluminum stator housing & generous oil volume**  
Improves heat transfer from the motor.

## Bring it on!

The innovative design of the Flygt 2600 protects the hydraulic and seal system like never before. The Flygt 2600 series has robustness built-in to keep your operations moving in even the harshest environments.

- D Dura-Spin™**  
The unique closed impeller and the suction cover with Dura-Spin™ grooves work together sweeping abrasive particles away from the impeller neck.
- E Spin-Out™**  
This patented design protects the outer seal and extends service life by expelling abrasive particles from the seal.
- F Hard-Iron™**  
Specially designed Hard-Iron™ impeller (60 HRC) and suction cover reduces wear and increases uptime.
- G Open Impeller alternative**  
The open impeller with its back-swept vanes effectively prevents string solids from obstructing the pump and increases uptime.



### Dura-Spin™

With an open impeller, wear will increase the clearance between the impeller vanes and the suction cover, resulting in a loss of performance. With Dura-Spin, the unique closed impeller (1) and suction cover with grooves (2) work together sweeping abrasive particles away from the impeller neck. (3) This makes the hydraulics at least three times more wear resistant than pumps with open impellers. With the single impeller-adjustment screw you can easily restore pump performance.

# Flygt 2600 Series



## Built for reliability

You need your pump to keep pumping, in all environments and in all situations. We know what you need and here are some features that experience tells us you're going to like.

- H Sealed off terminal board**  
Protecting the pump from consequential damage.
- I Strainer bottom with shock absorbers**  
Rubber shock absorbers provide impact protection. Strainer holes prevent obstruction due to large debris while the strainer bottom offers an easy-to-grip design with less risk of a drop.
- J Flygt SUBCAB®**  
Superior mechanical strength for dependable long-term sealing in the cable entry.

## Service with a smile

You want to spend as little time as possible servicing your pumps. Thanks to easy impeller adjustment and few parts, the Flygt 2600 series brings a high level of simplicity to service. Once you know one pump in the series you'll know them all.

- K Single impeller-adjustment screw**  
Fast and easy impeller-adjustment restores clearances to near-original condition, thereby increasing pump performance.
- L Plug-in™ seal with aluminum housing**  
The unique aluminum one-piece Plug-in™ seal provides a perfect fit and fast, simple replacement. It features Active Seal™ for zero leakage into the stator housing, and uses superior quality seal ring materials.
- M Inspection cover**  
No need to loosen the top from the stator with fast access to the junction box.
- N External inspection and oil plugs**  
Quick service check, less downtime, no unnecessary disassembly.



Air valve



External inspection



Spin-Out™



Aluminium Plug-In™ Seal

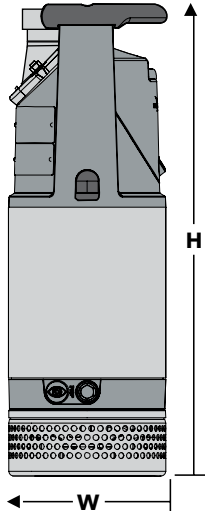


Single adjustment screw

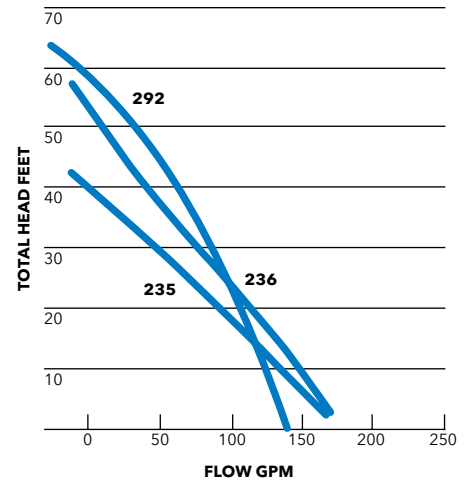
# 2600 Series Dewatering Pumps

These are popular Flygt dewatering pumps, known for job site dependability. Most models have strong, lightweight aluminum and stainless steel body parts and feature hardened impellers with nitrile rubber adjustable wear parts for long life. These tough pumps do not require total submersion, and will operate under snore conditions if necessary. Many are available in MSHA-certified, explosion-proof versions for use in mining or landfill dewatering.

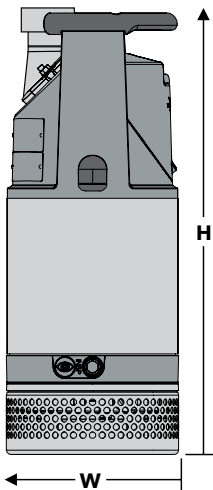
## KS 2610



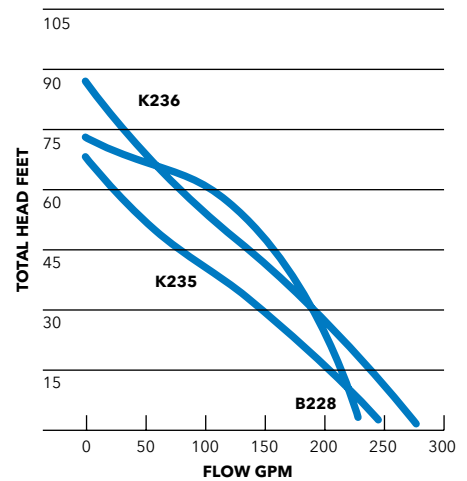
Model number: 2610.172 / 2610.160  
 Motor rating: .172: 1ø: 1.3HP@3420 RPM  
 .172: 3ø: 1.9HP@3365 RPM  
 .160: 1ø: 1.8HP@3475 RPM  
 Voltage (1ø): 115V 230V  
 Full load amps: 11A/15A 5.6A/7.4A  
 Voltage (3ø): 230V 460V 575V  
 Full load amps: 5.2A 2.6A 2A  
 Versions: 2" Standard  
 Imp. Code 235, 292 (1ø): 236 (3ø)  
 Hose connection: Male NPT  
 Pump dimensions: .172: 7<sup>7</sup>/<sub>8</sub>" W (max.) x 22" H (max.)  
 .160: 7<sup>7</sup>/<sub>8</sub>" W (max.) x 24" H (max.)  
 Max. weight (lbs.): .172: 47 / .160: 55  
 Description: Aluminum and stainless steel construction; open non-clog impeller, rests on bottom strainer.  
 Options: Warm liquid 70°C version available; 2610.082 MSHA approved version.



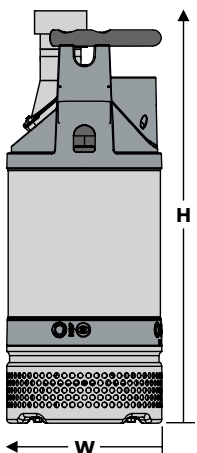
## BS/KS 2620



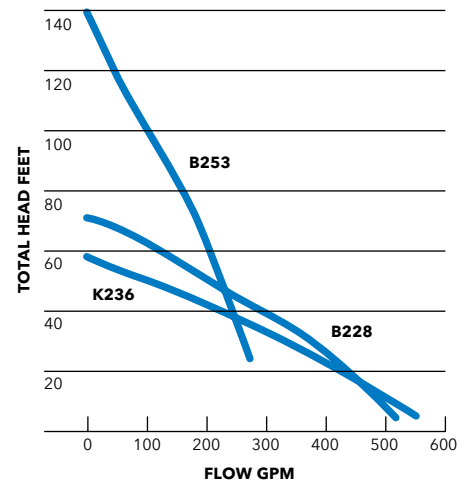
Model number: 2620.172  
 Motor rating: 1ø: 2.4HP@3420 RPM  
 3ø: 3.5HP@3410 RPM  
 Voltage (1ø): 230V  
 Full load amps: 9.9A  
 Voltage (3ø): 230V 460V 575V  
 Full load amps: 9.5A 4.7A 3.6A  
 Versions: 3" Standard  
 Imp. Code K235 (1ø), K236, B228 (3ø)  
 Hose connection: Male NPT  
 Pump dimensions: 9<sup>1</sup>/<sub>2</sub>" W (max.) x 25" H (max.)  
 Max. weight (lbs.): 66  
 Description: Aluminum and stainless steel construction; open non-clog (K) or extra wear resistant (B) closed impellers, rests on bottom strainer.  
 Options: Warm liquid 70°C version available; 2620.082 MSHA approved version.



## BS/KS 2630

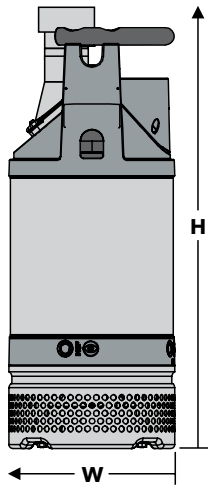


Model number: 2630.181  
 Motor rating: 5.9HP@3490 RPM  
 Voltage (3ø): 208V 230V 460V 575V  
 Full load amps: 15A 14A 7.1A 5.8A  
 Versions: 3" High head  
 Imp. Code B253  
 4" Standard  
 Imp. Code K236, B228  
 Hose connection: Male NPT  
 Pump dimensions: 11<sup>1</sup>/<sub>4</sub>" W (max.) x 29" H (max.)  
 Max. weight (lbs.): 106  
 Description: Aluminum and stainless steel construction; open non-clog (K) or extra wear resistant (B) closed impellers, rests on bottom strainer.  
 Options: Warm liquid 70°C version available; 2630.081 MSHA approved version.

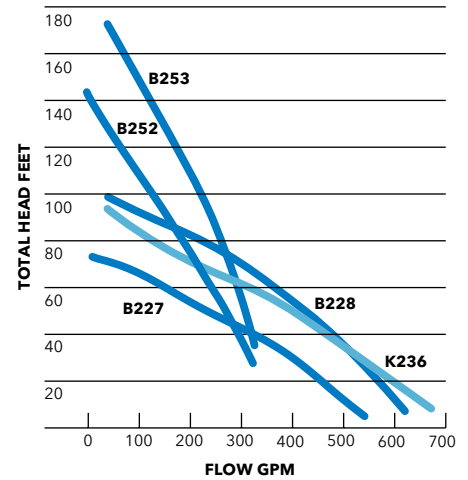




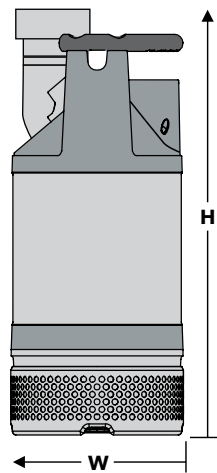
## BS/KS 2640



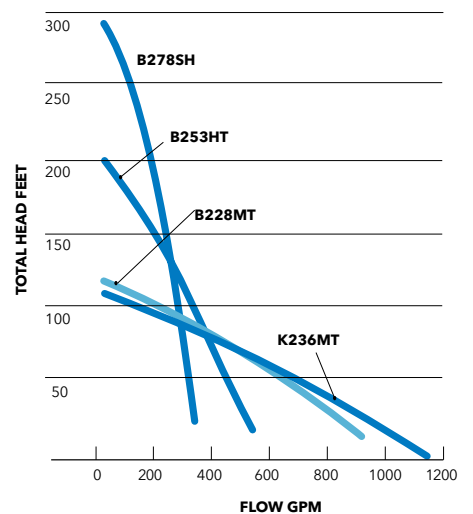
Model number: 2640.181  
 Motor rating: 1 $\emptyset$ : 6 HP @ 3475 RPM  
 3 $\emptyset$ : 8.9 HP @ 3495 RPM  
 Voltage (1 $\emptyset$ ): 230V  
 Full load amps: 17A  
 Voltage (3 $\emptyset$ ): 208V 230V 460V 575V  
 Full load amps: 24A 22A 11A 8.5A  
 Versions: 3" High head  
 Imp. Code B252 (1 $\emptyset$ ), B253 (3 $\emptyset$ )  
 4" Standard  
 Imp. Code K235 (1 $\emptyset$ ), K236, B228 (3 $\emptyset$ )  
 Hose connection: Male NPT  
 Pump dimensions: 11 1/4" W (max.) x 29" H (max.)  
 Max. weight (lbs.): 110  
 Description: Aluminum and stainless steel construction; open non-clog (K) or extra wear resistant (B) closed impellers, rests on bottom strainer.  
 Options: Warm liquid 70°C version available; 2640.081 MSHA approved version.



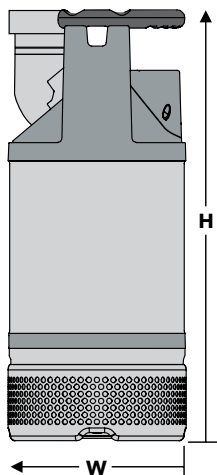
## BS/KS 2660



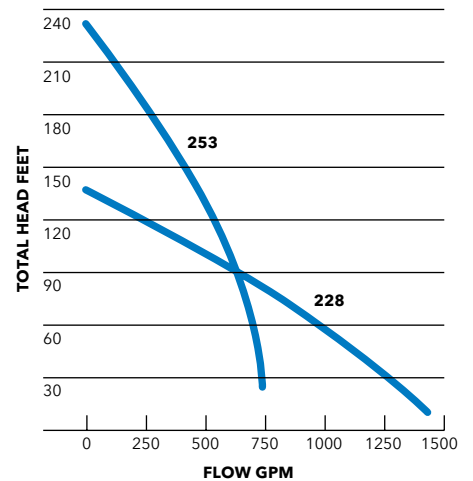
Model number: 2660.181  
 Motor rating: 15 HP @ 3495 RPM  
 Voltage (3 $\emptyset$ ): 208V 230V 460V 575V  
 Full load amps: 39A 35A 18A 14A  
 Versions: 3" High head  
 Imp. Code 253 (HT), 278 (SH)  
 4" & 6" Standard  
 Imp. Code B228 (MT), K236 (MT)  
 Hose connection: Male NPT  
 Pump dimensions: 13 3/4" W (max.) x 32" (35" SH) H (max.)  
 Max. weight (lbs.): 172 (212 SH)  
 Description: Aluminum and stainless steel construction; extra wear resistant closed impellers, rests on bottom strainer.  
 Options: Warm liquid 70°C version available; 2660.081 MSHA approved version.



## BS 2670



Model number: 2670.181  
 Motor rating: 27 HP @ 3490 RPM  
 Voltage (3 $\emptyset$ ): 230V 460V 575V  
 Full load amps: 61A 31A 25A  
 Versions: 4" High head  
 Imp. Code 253  
 6" Standard  
 Imp. Code 228  
 Hose connection: Male NPT  
 Pump dimensions: 16" W (max.) x 38" H (max.)  
 Max. weight (lbs.): 289  
 Description: Aluminum and stainless steel construction; extra wear resistant closed impellers; rests on bottom strainer.  
 Options: Warm liquid 70°C version available; 2670.081 MSHA approved version.

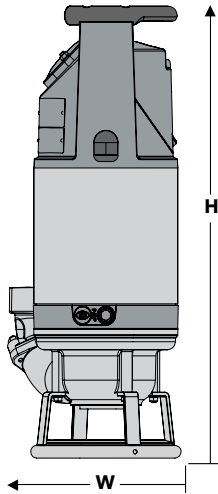


# 2600 Series Sludge Pumps

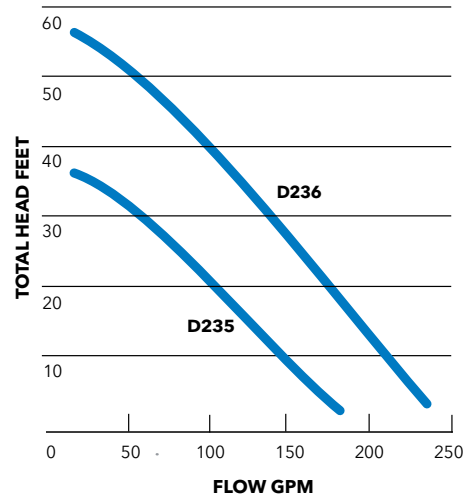
## VORTEX IMPELLERS

Pumps equipped with a vortex impeller are suited for pumping water containing moderately abrasive or stringy solid materials which tend to clog conventional centrifugal impellers. The "open" impeller is located and turns at the top of the pump chamber, causing a powerful vortex that induces a pumping action in the water below it. Since most of the pumped water does not actually pass through the impeller, wear and clog-potential are minimized.

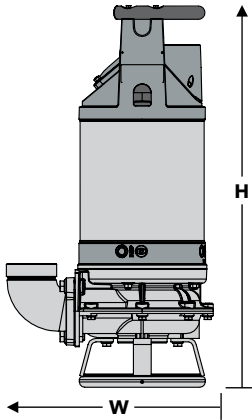
### DS2620



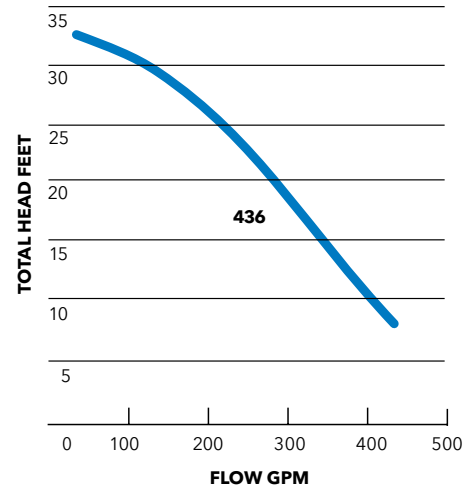
Model number: 2620.281  
 Motor rating: 1 $\phi$ : 2.4HP@3420RPM  
 3 $\phi$ : 3.5HP@3410 RPM  
 Voltage (1 $\phi$ ): 230V  
 Full load amps: 9.9A  
 Voltage (3 $\phi$ ): 230V   460V   575V  
 Full load amps: 9.5A   4.7A   3.5A  
 Versions: 3" Standard  
 Imp. Code 235 (1 $\phi$ ), 236 (3 $\phi$ )  
 Discharge conn.: Male NPT threaded  
 Pump dimensions: 16" W (max.) x 28" H (max.)  
 Max. weight (lbs.): 73  
 Description: DS: Aluminum and stainless steel construction; vortex type impeller with open inlet area. Rests on stand.



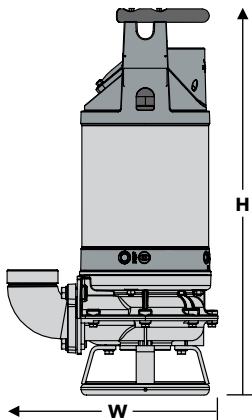
### DS2630



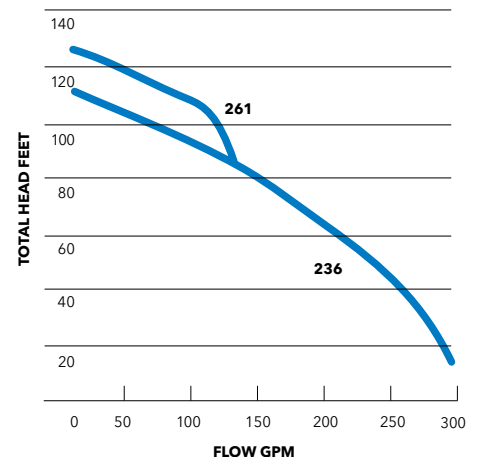
Model number: 2630.281  
 Motor rating: 3 $\phi$ : 6.0HP@1675RPM  
 Voltage (3 $\phi$ ): 230V   460V   575V  
 Full load amps: 18A   8.6A   6.9A  
 Versions: 4" Standard  
 Imp. 436MT  
 Discharge conn.: Male NPT threaded  
 Pump dimensions: 19" W (max.) x 34" H (max.)  
 Max. weight (lbs.): 119  
 Description: DS: Aluminum and stainless steel construction; vortex type impeller with open inlet area. Rests on stand.



### DS2640



Model number: 2640.281  
 Motor rating: 3 $\phi$ : 8.9 HP@3415 RPM  
 Voltage (3 $\phi$ ): 208V   230V   460V   575V  
 Full load amps: 24A   22A   11A   8.4A  
 Versions: 4" Standard  
 Imp. Code 261 (HT), 236 (MT)  
 Discharge conn.: Male NPT threaded  
 Pump dimensions: 19" W (max.) x 34" H (max.)  
 Max. weight (lbs.): 123  
 Description: DS: Aluminum and stainless steel construction; vortex type impeller with open inlet area. Rests on stand.



# A NEW LEGEND IS BORN

INTRODUCING THE  
NEW FLYGT BIBO



# Where innovation meets tradition

It still has the iconic look; a shape that means stability and robustness. We took our proven hydraulic design and merged it with features that once set the standard in dewatering pumping.

## Just let it run

You don't want to spend your time babysitting pumps. You just want to switch it on and let it pump. That's why the pump has dry running capabilities.

- A Air valve**  
The cooler the motor, the better the performance. The air valve opens when the pump is running dry.
- B Class H motor**  
Highly efficient to reduce generated heat.
- C Aluminum stator housing & generous oil volume**  
Improves heat transfer from the motor.

## Tougher than the rest

The Flygt BIBO design protects the hydraulic and seal parts like never before. The Flygt BIBO series has robustness built-in to keep your operations moving in even the harshest environments.

- D Dura-Spin™**  
The unique closed impeller and the suction cover with Dura-Spin™ grooves work together sweeping abrasive particles away from the impeller neck.
- E Spin-Out™**  
This patented design protects the outer seal and extends service life by expelling abrasive particles from the seal.
- F PolyLife™ coated wear parts**  
Wear-resistant polylife coating on certain wear parts. (Nitrile rubber available as option)
- G Hard-Iron™**  
Specially designed Hard-Iron™ impeller (60 HRC) and suction cover reduces wear and increases uptime.
- H Open Impeller alternative**  
The open impeller with its back-swept vanes effectively prevents string solids from obstructing the pump and increases uptime.



### Dura-Spin™

With an open impeller, wear will increase the clearance between the impeller vanes and the suction cover, resulting in a loss of performance. With Dura-Spin, the unique closed impeller (1) and suction cover with grooves (2) work together sweeping abrasive particles away from the impeller neck. (3) This makes the hydraulics at least three times more wear resistant than pumps with open impellers. With the single impeller-adjustment screw you can easily restore pump performance.

# Flygt BIBO 2800 Series



## Last pump standing

You need your pump to keep pumping; in all environments and in all situations. We know what you need and here are some features that experience tells us you're going to like.

- I Wide base and low discharge**  
More stability with less risk of the pump tipping over.
- J Sealed off terminal board**  
To protect the pump from consequential damage.
- K Strainer bottom with shock absorbers**  
Rubber shock absorbers provide impact protection. Strainer holes prevent obstruction due to large debris while the strainer bottom offers an easy-to-grip design with less risk of a drop.
- L Adjustable handle**  
Change height to suit lifting device.
- M Protected cable entry**  
Less risk of cable damage when handling the pump.
- N Flygt SUBCAB®**  
Superior mechanical strength for dependable long-term sealing in the cable entry.

## Service with a smile

You want to spend as little time servicing your pumps as possible. Thanks to easy impeller adjustment and few parts, the Flygt BIBO series brings a high level of simplicity to service. Once you know one pump in the series you'll know them all.

- O Single impeller-adjustment screw**  
Fast and easy impeller-adjustment restores clearances to near-original condition, thereby increasing pump performance.
- P Plug-in™ seal with aluminum housing**  
The unique aluminum one-piece Plug-in™ seal provides a perfect fit and fast, simple replacement. It features Active Seal™ for zero leakage into the stator housing and uses superior quality seal ring materials.
- Q Inspection cover**  
No need to loosen the top from the stator with fast access to the junction box.
- R External inspection and oil plugs**  
Quick service check, less downtime, no unnecessary disassembly.



Air valve



External inspection



Spin-Out™



Aluminium Plug-In™ Seal

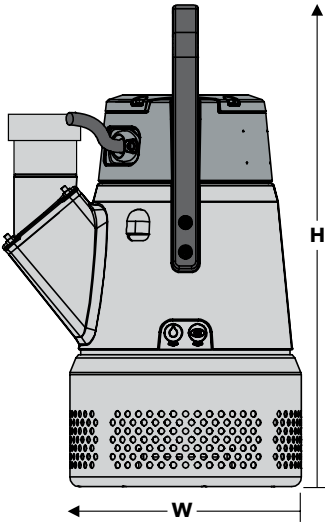


Single adjustment screw

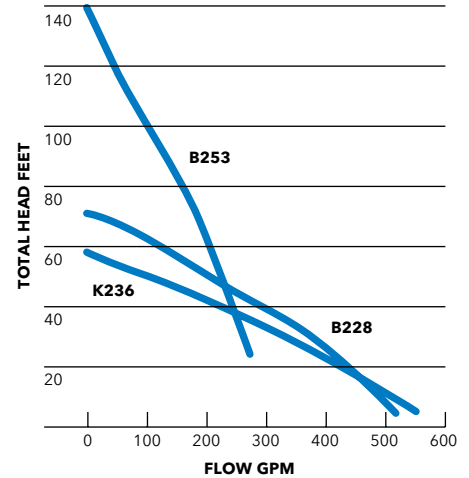
# BIBO 2800 Series Dewatering Pumps

Flygt BIBO pumps cover medium, high, and super-high pressures to handle almost any application. They still have the iconic look; a shape that means stability and robustness. We took our proven hydraulic design and merged it with features that once set the standard in dewatering pumping.

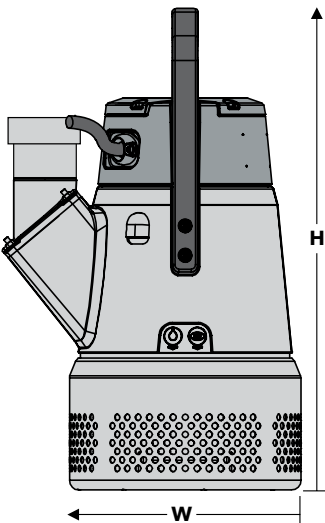
## BS/KS 2830



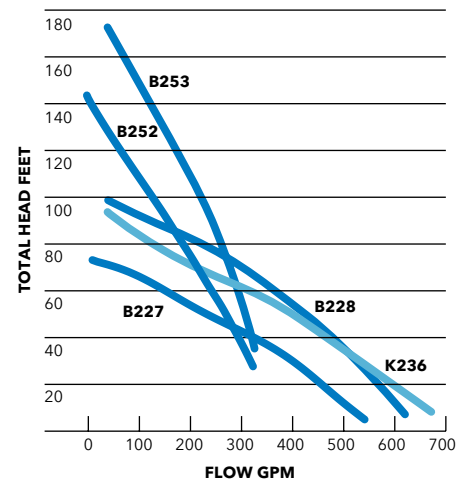
Model number: 2830.180  
 Motor rating: 5.9 HP @ 3475 RPM  
 Voltage (3Ø): 208V 230V 460V 575V  
 Full load amps: 17A 15A 7.3A 5.8A  
 Versions: 3" High head Imp. Code B253  
 4" Standard Imp. Code K236, B228  
 Hose connection: Male NPT  
 Pump dimensions: 14 1/2" W (max.) x 30" H (max.)  
 Max. weight (lbs.): 119  
 Description: Aluminum and stainless steel construction; open non-clog (K) or extra wear resistant (B) closed impellers, rests on bottom strainer.  
 Options: Warm liquid 70°C version available.



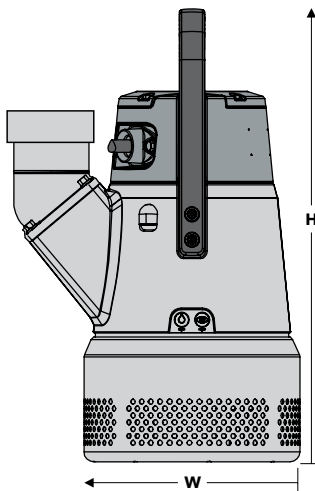
## BS/KS 2840



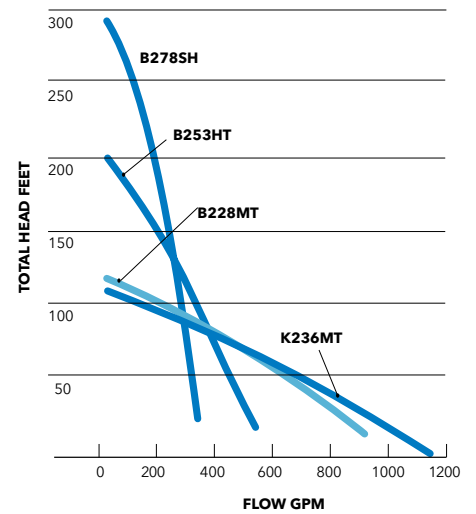
Model number: 2840.180  
 Motor rating: 1Ø: 6 HP @ 3480 RPM  
 3Ø: 8.9 HP @ 3495 RPM  
 Voltage (1Ø): 230V  
 Full load amps: 25A  
 Voltage (3Ø): 208V 230V 460V 575V  
 Full load amps: 24A 22A 11A 8.5A  
 Versions: 3" High head Imp. Code B252 (1Ø), B253 (3Ø)  
 4" Standard Imp. Code B227 (1Ø), K236, B228 (3Ø)  
 Hose connection: Male NPT  
 Pump dimensions: 11 1/2" W (max.) x 30" H (max.)  
 Max. weight (lbs.): 123  
 Description: Aluminum and stainless steel construction; open non-clog (K) or extra wear resistant (B) closed impellers, rests on bottom strainer.  
 Options: Warm liquid 70°C version available.



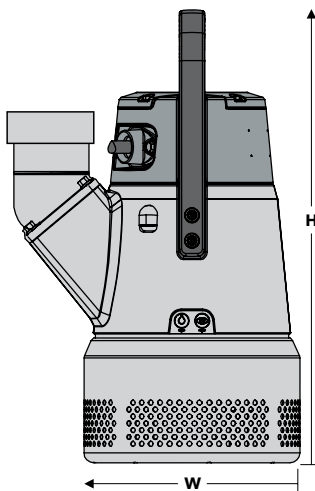
## BS/KS 2860



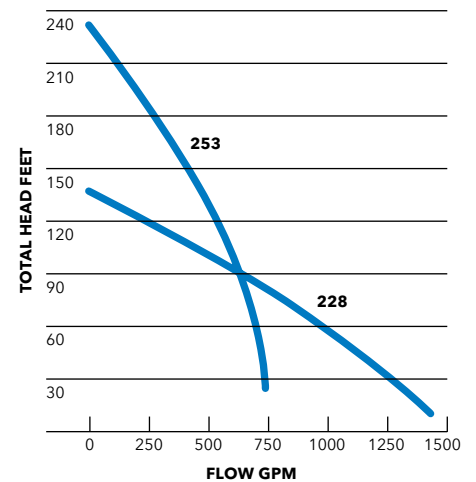
Model number: 2860.180  
 Motor rating: 15 HP@3465 RPM  
 Voltage (3 $\phi$ ): 208V 230V 460V 575V  
 Full load amps: 39A 35A 18A 14A  
 Versions: 3" High head  
 Imp. Code B253 (HT), B278 (SH)  
 4" & 6" Standard  
 Imp. Code B228 (MT), K236 (MT)  
 Hose connection: Male NPT  
 Pump dimensions: 16<sup>3</sup>/<sub>4</sub>" W(max.) x 35" (38<sup>1</sup>/<sub>2</sub>" SH) H(max.)  
 Max. weight (lbs.): 201 (234 SH)  
 Description: Aluminum and stainless steel construction; extra wear resistant closed impellers, rests on bottom strainer.  
 Options: Warm liquid 70°C version available.



## BS 2870



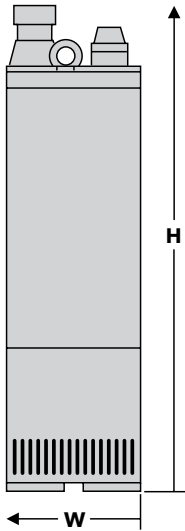
Model number: 2870.180  
 Motor rating: 27 HP@3490 RPM  
 Voltage (3 $\phi$ ): 230V 460V 575V  
 Full load amps: 61A 31A 25A  
 Versions: 4" High head  
 Imp. Code 253  
 6" Standard  
 Imp. Code 228  
 Hose connection: Male NPT  
 Pump dimensions: 20" W (max.) x 39" H (max.)  
 Max. weight (lbs.): 339  
 Description: Aluminum and stainless steel construction; extra wear resistant closed impellers; rests on bottom strainer.  
 Options: Warm liquid 70°C version available.



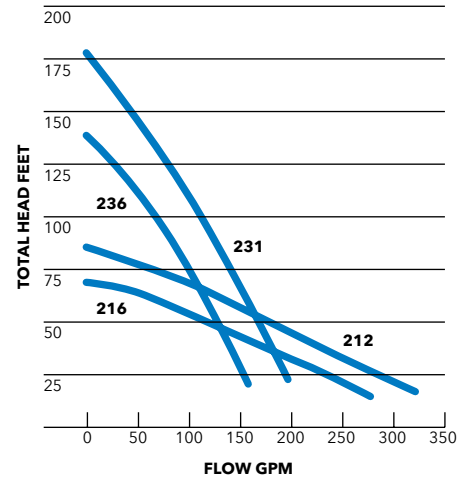
# 2000 Series Dewatering Pumps

Flygt 2000 pumps easily handle chemically aggressive, mechanically abrasive or highly viscous fluids laden with particles. Flygt 2000 products are available in lightweight aluminum or corrosion-resistant cast iron. Some models are available in MSHA-approved versions.

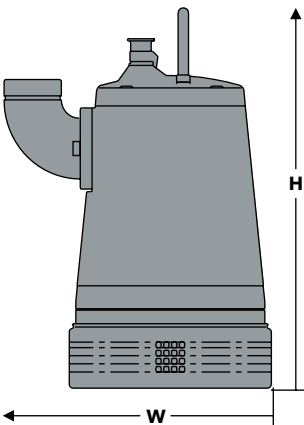
## BS 2071



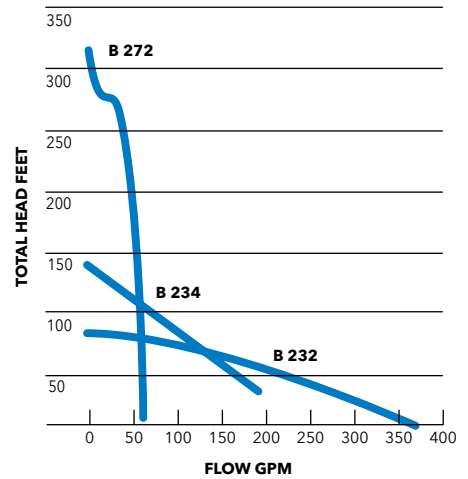
Model number: 2071.010  
 Motor rating: 1 $\emptyset$ : 4.1 HP@3425 RPM  
 3 $\emptyset$ : 6 HP@3335 RPM  
 Voltage (1 $\emptyset$ ): 230V  
 Full load amps: 17A  
 Voltage (3 $\emptyset$ ): 230V 460V 575V  
 Full load amps: 16A 8.1A 6.5A  
 Versions: 2" Standard (2 stage)  
 Imp. Code 236 (1 $\emptyset$ ), 231 (3 $\emptyset$ )  
 3" High volume  
 Imp. Code 216 (1 $\emptyset$ ), 212 (3 $\emptyset$ )  
 Hose connection: Male NPSM threaded  
 Pump dimensions: 7 1/4" W (max.) x 27" H (max.)  
 Max. weight (lbs.): 68  
 Description: Aluminum construction; open impeller, adjustable wear plate; rests on bottom strainer.  
 Options: SS impellers



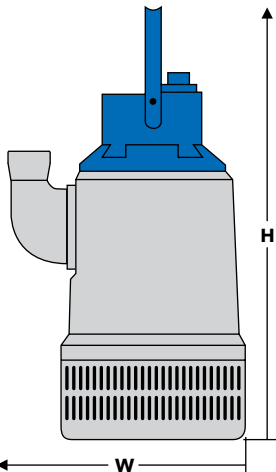
## BS 2075.324



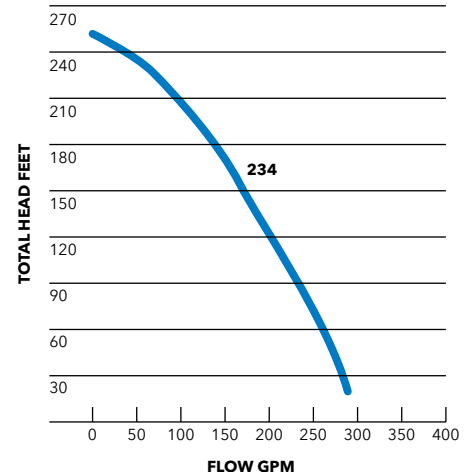
Model number: 2075.324  
 Motor rating: 3 $\emptyset$ : 5.4 HP@3425 RPM  
 8.9 HP@3410RPM  
 Voltage (3 $\emptyset$ ): 230V 460V 575V  
 Full load amps: 14/23A 7.2/12A 5.8/9.4A  
 Versions: 2" Super High head  
 Imp. Code 272  
 3" High head  
 Imp. Code 234  
 3" Standard  
 Imp. Code 232  
 Hose connection: Male NPSM threaded  
 Pump dimensions: 12" W (max.) x 22" H (max.)  
 Max. weight (lbs.): 88  
 Description: Cast iron construction, open impeller, adjustable wear plate; rests on bottom strainer



## BS 2125



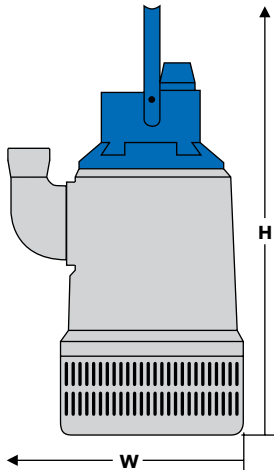
Model number: 2125.181  
 Motor rating: 13 HP@3470 RPM  
 Voltage (3 $\emptyset$ ): 230V 460V 575V  
 Full load amps: 32A 16A 13A  
 Versions: 3" High head (2 stage)  
 Imp. Code 234  
 Hose connection: Male NPSM threaded, or slip-on  
 Pump dimensions: 18" W (max.) x 33" H (max.)  
 Max. weight (lbs.): 176  
 Description: Aluminum construction; open impeller, adjustable wear plate; rests on bottom strainer.



\* Cast iron version 2125.320 available.

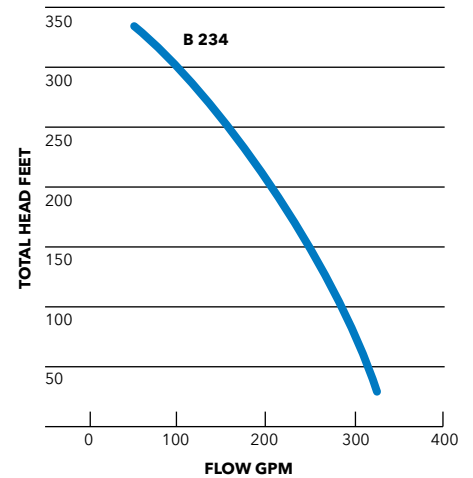


## BS 2140

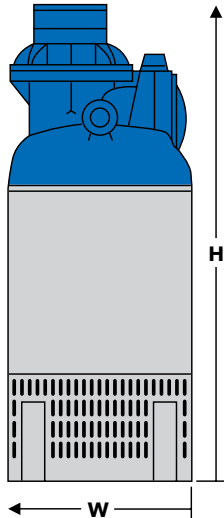


Model number: 2140.010  
 Motor rating: 19 HP@3480 RPM  
 Voltage (3 $\phi$ ): 230V 460V 575V  
 Full load amps: 46A 23A 18A  
 Versions: 3" High head (2 stage)  
 Imp. Code 234

Hose connection: Male NPSM threaded, or slip-on  
 Pump dimensions: 18" W (max.) x 33" H (max.)  
 Max. weight (lbs.): 186  
 Description: Aluminum construction; open impeller, adjustable wear plate; rests on bottom strainer.



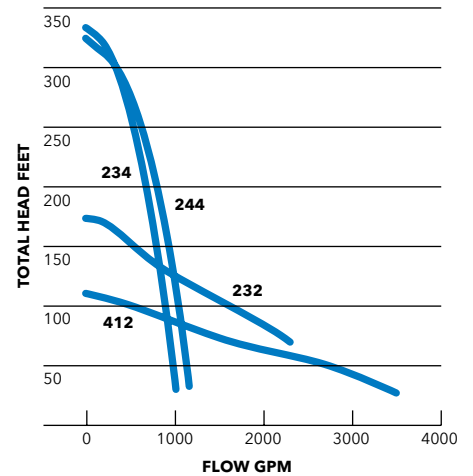
## BS 2201



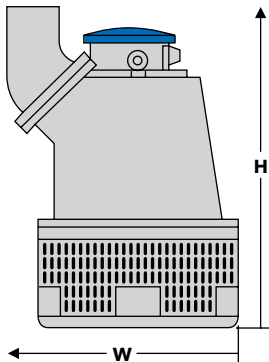
Model number: 2201.011, 2201.320  
 Motor rating: 58 HP@3450 RPM (High head, Std.)  
 50 HP@1760 RPM (High volume)\*  
 Voltage: 460V 575V  
 Full load amps: 66/65A 52/48A  
 Versions: 4" High head, Imp. Code 234, 244  
 6" & 8" Standard, Imp. Code 232  
 6" & 8" High vol., Imp. Code 412

Hose connection: 4" Male NPSM threaded  
 6" & 8" Female NPT threaded  
 Pump dimensions: 19" W (max.) x 48" H (max.)  
 Max. weight (lbs.): 617 - Aluminum, 1000 - Cast iron  
 Description: Aluminum (.011) or cast iron (.320) construction; open impeller(s), adjustable wear plate; rests on bottom strainer.

Options: SS impellers  
 2201.590 MSHA approved version.

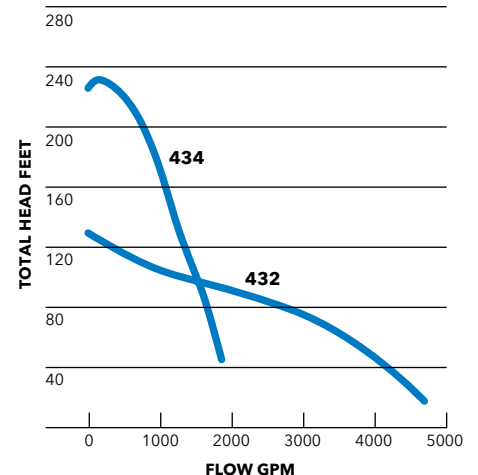


## BS 2250

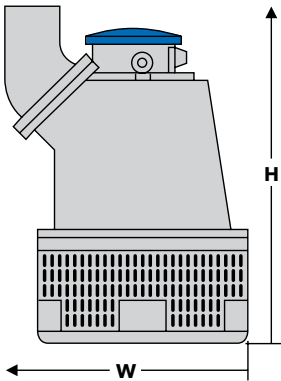


Model number: 2250.011  
 Motor rating: 87 HP@1770 RPM  
 Voltage (3 $\phi$ ): 460V 575V  
 Full load amps: 103A 83A  
 Versions: 6" High head  
 Imp. Code 434  
 8" & 10" Standard  
 Imp. Code 432

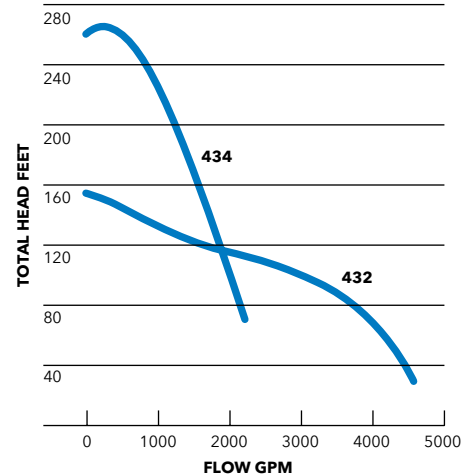
Hose connection: 6" & 8" Female NPT threaded  
 10" Male NPT threaded  
 Pump dimensions: 37" W (max.) x 49" H (max.)  
 Max. weight (lbs.): 1190  
 Description: Aluminum construction; open impeller, adjustable wear plate; rests on bottom strainer.



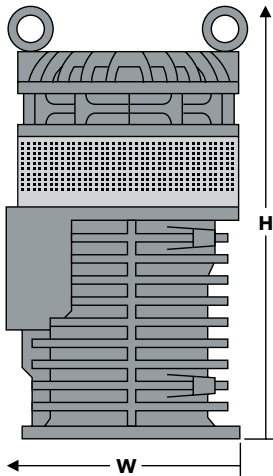
## BS 2290



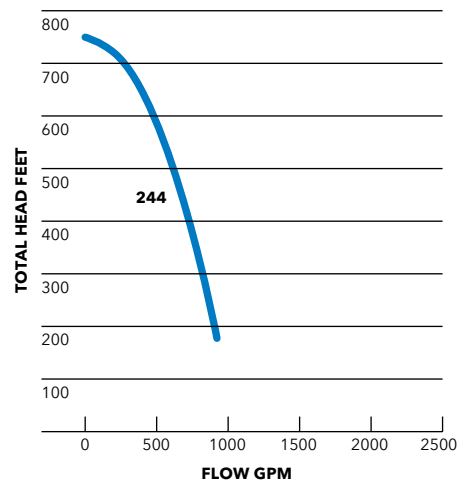
Model number: 2290.010  
 Motor rating: 110HP@1775RPM  
 Voltage (3 $\phi$ ): 460V 575V  
 Full load amps: 131A 105A  
 Versions: 6" High head  
 Imp. Code 434  
 8" & 10" Standard  
 Imp. Code 432  
 Hose connection: 6" & 8" Female NPT threaded  
 10" Male NPT threaded  
 Pump dimensions: 37" W (max.) x 49" H (max.)  
 Max. weight (lbs.): 1190  
 Description: Aluminum construction; open  
 impeller, adjustable wear plate;  
 rests on bottom strainer.



## BS 2400 HT

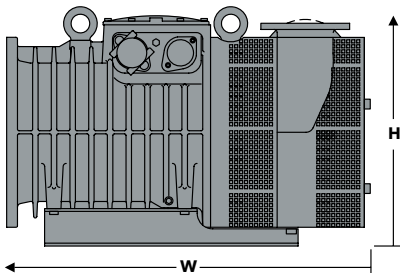


Model number: 2400.402  
 Motor rating: 140HP@3560RPM  
 Voltage (3 $\phi$ ): 460V 575V  
 Full load amps: 148A 118A  
 Versions: 4" High head  
 Imp. Code 244  
 Discharge conn.: 250# Flange  
 Pump dimensions: 27" W (max.) x 49" H (max.)  
 Max. weight (lbs.): 1984  
 Description: Cast iron construction; open (MT)  
 or closed (HT) impeller, adjustable  
 wear plates, strainer, rests on  
 bottom.  
 Options: SS impellers, SS wet end  
 2400.490 MSHA approved version.

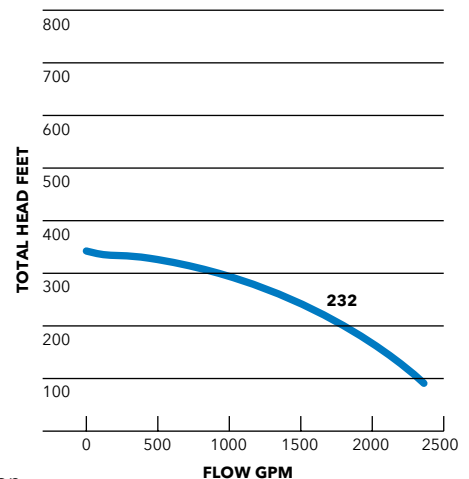


\* including stand

## BS 2400 MT



Model number: 2400.402  
 Motor rating: 140HP@3560RPM  
 Voltage (3 $\phi$ ): 460V 575V  
 Full load amps: 148A 118A  
 Versions: 4" High head  
 Imp. Code 244  
 6" High volume  
 Imp. Code 232  
 Discharge conn.: 125# Flange  
 Pump dimensions\*: 30" W (max.) x 49" H (max.)  
 Max. weight (lbs.):\* 2167  
 Description: Cast iron construction; open (MT)  
 or closed (HT) impeller, adjustable  
 wear plates, strainer, rests on  
 bottom.  
 Options: SS impellers, SS wet end  
 2400.490 MSHA approved version.

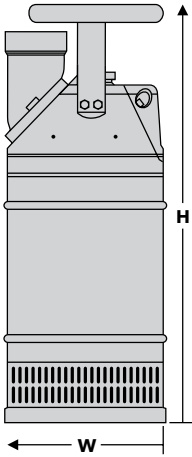


\* including stand

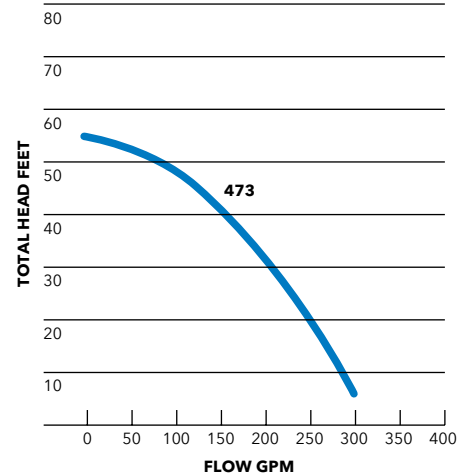
# Stainless Steel 2700 Series Dewatering Pumps

The all stainless steel Flygt 2700 series handles corrosive and abrasive liquids with wide variances in pH levels. These pumps are built to tackle the toughest dewatering challenges. These drainage pumps can handle lightly contaminated liquids. Ideal for pH values between 2 and 10, these pumps are tough enough to handle both highly acidic and highly alkaline media.

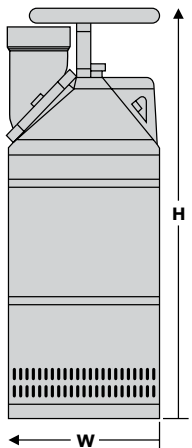
## BS 2720 (SS)



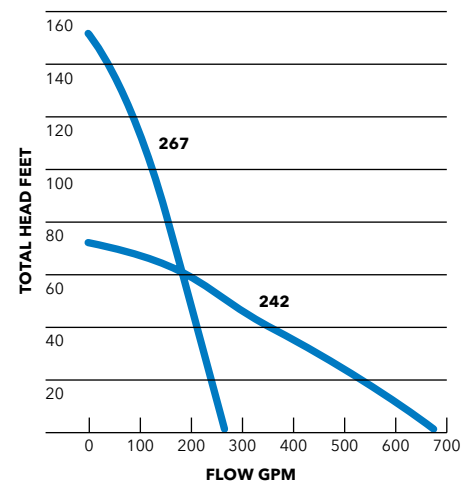
Model number: 2720.390  
 Motor rating: 3.1HP@3315RPM  
 Voltage (3Ø): 230V 460V 575V  
 Full load amps: 8.5 4.2 3.4  
 Versions: 3" Standard  
 Imp. Code 242  
 Discharge conn.: Male NPT  
 Pump dimensions: 9<sup>3</sup>/<sub>8</sub>" W x 23<sup>3</sup>/<sub>4</sub>" H  
 Max. weight (lbs.): 97  
 Description: Stainless steel construction; open impeller; rests on bottom strainer.



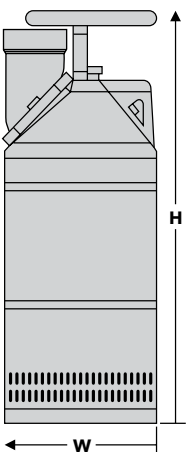
## BS 2740 (SS)



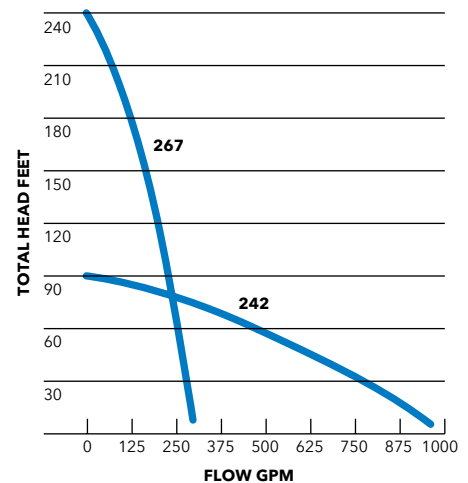
Model number: 2740.390  
 Motor rating: 9 HP@3455 RPM  
 Voltage (3Ø): 230V 460V 575V  
 Full load amps: 21A 11A 8.6A  
 Versions: 3" High head  
 Imp. Code 267  
 4" Standard  
 Imp. Code 242  
 Hose connection: Male NPT  
 Pump dimensions: 11" W (max.) x 28<sup>3</sup>/<sub>4</sub>" H (max.)  
 Max. weight (lbs.): 165  
 Description: Stainless steel construction; open impellers; rests on bottom strainer.



## BS 2750 (SS)



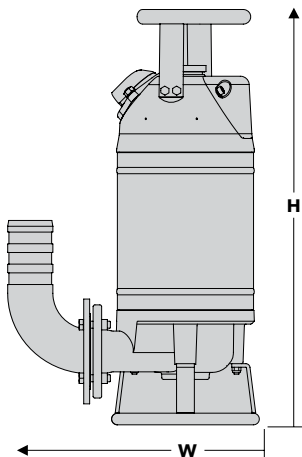
Model number: 2750.390  
 Motor rating: 13 HP@3455 RPM  
 Voltage (3Ø): 230V 460V 575V  
 Full load amps: 31A 15A 12A  
 Versions: 3" High head  
 Imp. Code 267  
 4" Standard  
 Imp. Code 242  
 Hose connection: Male NPT  
 Pump dimensions: 11" W (max.) x 31" H (max.)  
 Max. weight (lbs.): 198  
 Description: Stainless steel construction; open impellers; rests on bottom strainer.



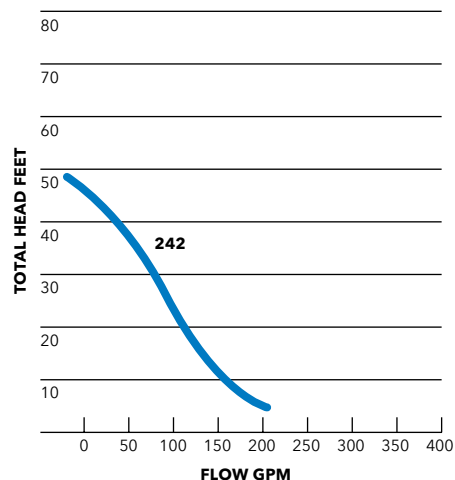
# Stainless Steel 2700 Series Sludge Pumps

## VORTEX IMPELLERS

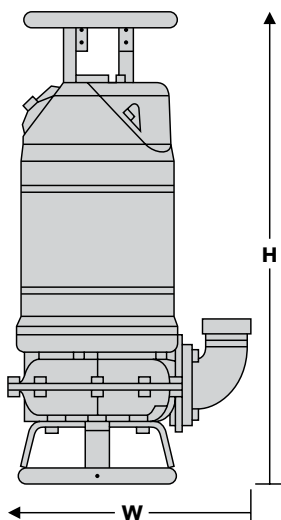
### DS 2720 (SS)



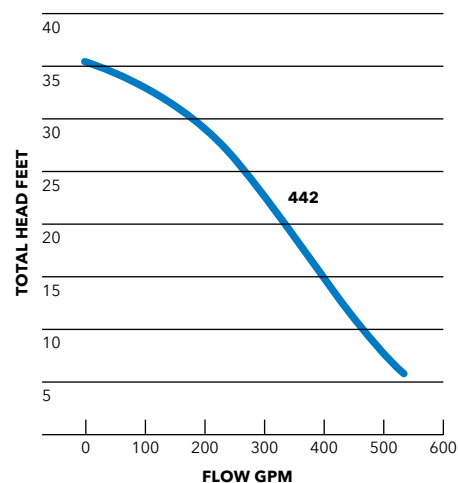
Model number: 2720.280  
 Motor rating: 3.1HP@3315RPM  
 Voltage (3∅): 230V 460V 575V  
 Full load amps: 8.5 4.2 3.4  
 Versions: 3" Standard  
 Imp. Code 242  
 Hose connection: Standard  
 Pump dimensions: 16 1/2' W x 28 H  
 Max. weight (lbs.): 111  
 Description: Stainless steel construction; open impeller; rests on bottom strainer.



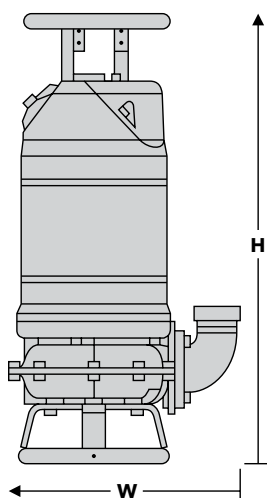
### DS 2730 (SS)



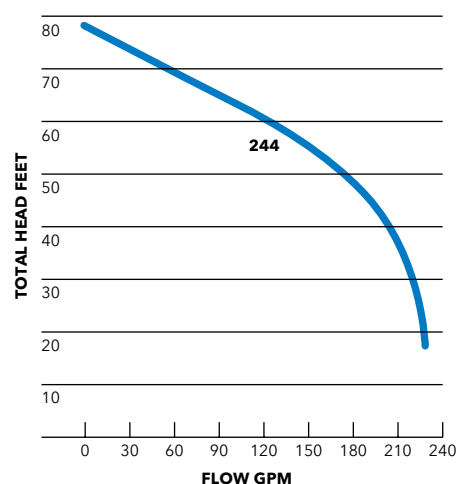
Model number: 2730.280  
 Motor rating: 6.8HP@1675RPM  
 Voltage (3∅): 230V 460V 575V  
 Full load amps: 18A 9A 7.3A  
 Versions: 4" Standard  
 Imp. Code 442  
 Hose connection: Male NPT  
 Pump dimensions: 16 1/2" W (max.) x 28 3/8" H (max.)  
 Max. weight (lbs.): 209  
 Description: Stainless steel construction; vortex impeller; rests on bottom stand.



### DS 2740 (SS)



Model number: 2740.280  
 Motor rating: 9 HP@3455 RPM  
 Voltage (3∅): 230V 460V 575V  
 Full load amps: 21A 11A 8.6A  
 Versions: 3" High head  
 Imp. Code 244  
 Hose connection: Male NPT  
 Pump dimensions: 16 1/2" W (max.) x 28 3/8" H (max.)  
 Max. weight (lbs.): 209  
 Description: Stainless steel construction; vortex impeller; rests on bottom stand.



# Flygt 3000 Series

## Better heat transfer

Our specially designed and manufactured motor provides enhanced cooling because heat losses are concentrated around the stator. Trickle impregnated in resin (Class H insulation), the stator windings are rated at 180°C (355°F) and enable up to 30 starts per hour.

## Efficient cooling

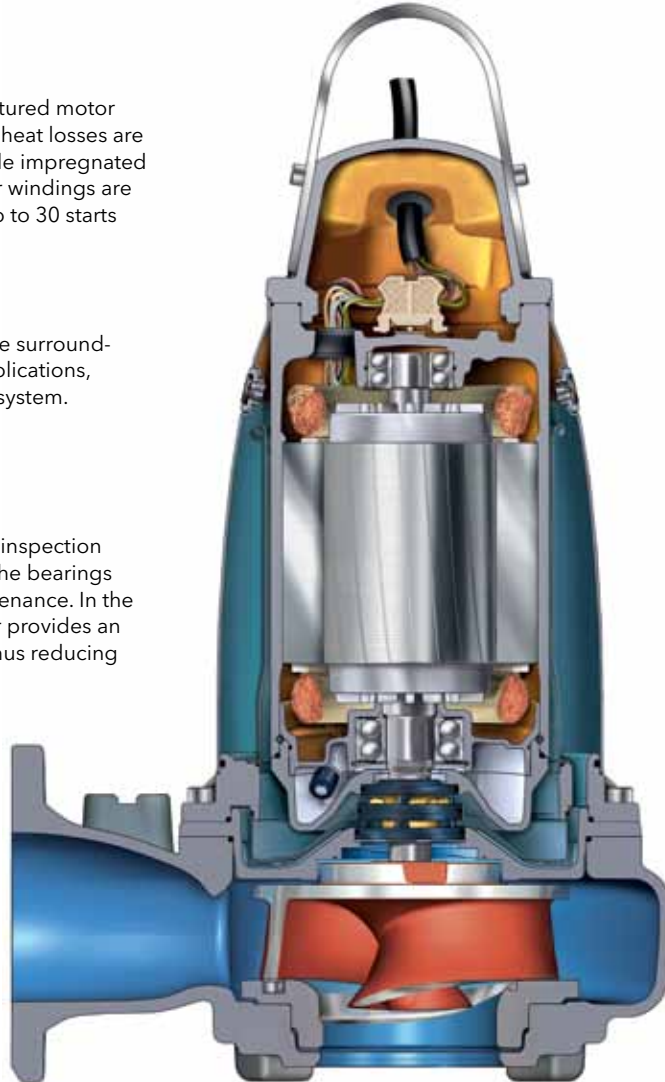
These pumps are cooled either by the surrounding liquid or, in more demanding applications, with an internal closed-loop cooling system.

## Inspection chamber

To increase operational reliability, an inspection chamber between the seal unit and the bearings enables rapid spot checks and maintenance. In the case of a seal failure, a built-in sensor provides an early warning of any fluid build-up, thus reducing the risk of expensive repair work.

## Compliance

Each pump is tested and approved in accordance with national and international standards, including IEC 34-1 and CSA. Pumps are available in explosion-proof versions for use in hazardous environments, and are approved by the Factory Mutual, European Standard and IEC.



## Cable entry

Water-resistant cable entry provides both sealing and strain relief functions to ensure a safe installation.

## Sensors

Thermal sensors embedded in the stator windings prevent overheating, and a leakage sensor in the inspection chamber minimizes the risk for bearing and stator failure.

## Long-life bearings

Durable bearings provide a minimum service life of 50,000 hours.

## Enduring seals

The Flygt Plug-in™ seal with the Active Seal™ system offers increased sealing reliability and zero leakage into the motor, thereby reducing the risk of bearing and stator failure.

## Flygt Plug-in™ seal with Active Seal™ system



Inner seal with laser-cut spiral grooves.



The Flygt Plug-in™ seal is a seal unit that eliminates the risks associated with incorrect installation and careless handling. It comprises the Active Seal™ system in one easy-to-handle unit.

The Active Seal™ system is a patented zero-leakage double-seal system that actively prevents liquid from entering the motor cavity, thereby reducing the risk for bearing and stator failure. It comprises a unique inner seal that acts as a micro-pump and an outer seal that prevents leakage

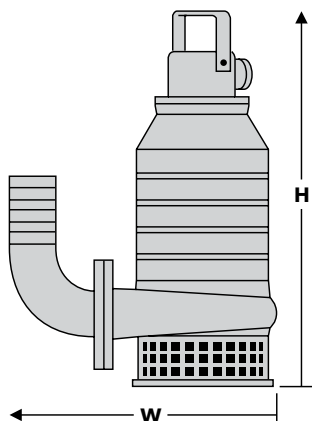
of pumped media into the buffer chamber.

Laser-cut grooves on the inner seal create a hydrodynamic pumping effect that prevents any leakage from entering the motor.

This translates into enhanced sealing reliability, reduced downtime and fewer unscheduled maintenance checks. In addition, regular service inspections can be prolonged in many applications.

# Stainless Steel 3000 Series Sludge and Solids-Handling Sewage Pumps

## CS/DS 3060 (SS)



Model number: 3060.390  
 Motor rating: 1ø: 2.5 HP @ 3400 RPM  
 3ø: 3.7 HP @ 3300 RPM

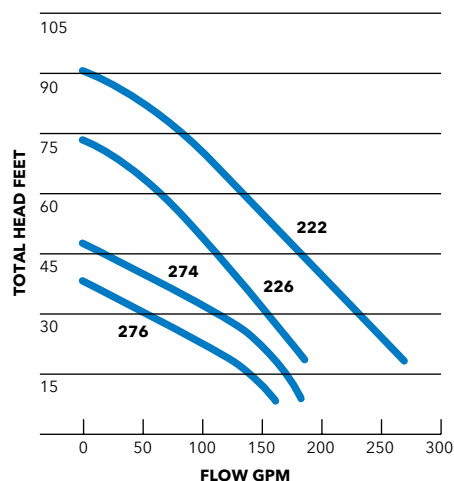
Voltage (1ø): 230V  
 Full load amps: 11A

Voltage (3ø): 200V 230V 460V 575V  
 Full load amps: 10.8A 9.4A 4.7A 3.8A

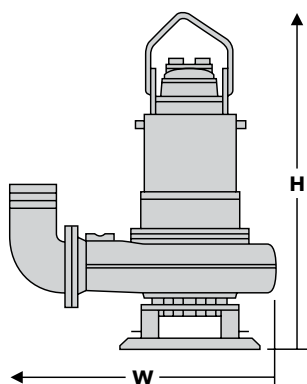
Versions: CS: 3" Standard  
 Imp. Code 226 (1ø), 222 (3ø)  
 DS: 3" Vortex  
 Imp. Code 276 (1ø), 274 (3ø)

Hose connection: Slip-on  
 Pump dimensions: 16 1/2" W (max.) x 23 1/2" H (max.)  
 Max. weight (lbs.): 95

Description: CS/DS: Stainless steel construction; rests on bottom strainer. CS: Open impeller, with diffuser. DS: Vortex type impeller.



## CS 3201 (SS)



Model number: 3201.280  
 Motor rating: 30 HP @ 860 RPM  
 35 HP @ 1170 RPM  
 47 HP @ 1760 RPM

Voltage (3ø): 230V  
 Full load amps: 82/94/116A

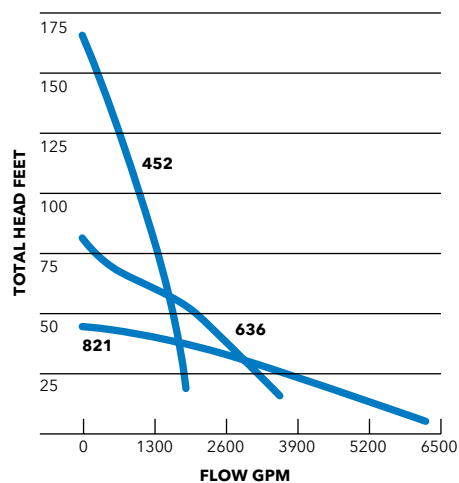
Voltage (3ø): 460V 575V  
 Full load amps: 41/47/58A 33/38/46A

Versions: 6" High hd., Imp. Code 452 (47 HP)  
 8" Std., Imp. Code 636 (35 HP)  
 10" High volume  
 Imp. Code 821 (30 HP)

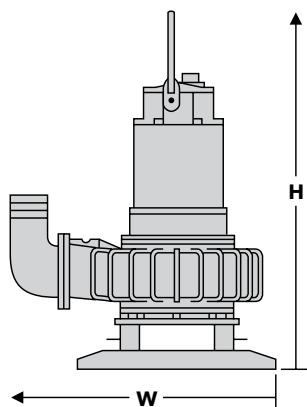
Hose connection: Slip-on  
 Pump dimensions: 56" W (max.) x 63" H (max.)  
 Max. weight (lbs.): 1600

Description: Stainless steel construction; closed, solids handling impeller, wear rings; rests on bottom stand.

Options: Explosion proof (FM approved) variant 3201.290



## CS 3300 (SS)



Model number: 3300.280  
 Motor rating: 60 HP @ 1170 RPM & 875 RPM  
 45 HP @ 875 RPM  
 77, 88 HP @ 1170 RPM

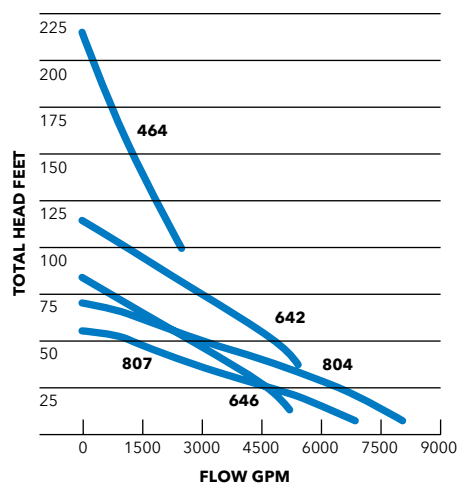
Voltage (3ø, 60 HP): 460V 575V  
 Full load amps: 73/80A 58/65A

Voltage (3ø, 45/77/88 HP): 460V 575V  
 Full load amps: 60/91/108A 48/73/86A

Versions: 6" High hd., Imp. Code 464 (88 HP)  
 8" Standard  
 Imp. Code 646 (60 HP), 642 (77 HP)  
 10" High volume  
 Imp. Code 807 (45 HP), 804 (60 HP)

Hose connection: Slip-on  
 Pump dimensions: 56 3/4" W (max.) x 75 3/4" H (max.)  
 Max. weight (lbs.): 2590

Description: Stainless steel construction; closed, solids handling impeller, wear rings; rests on bottom stand.

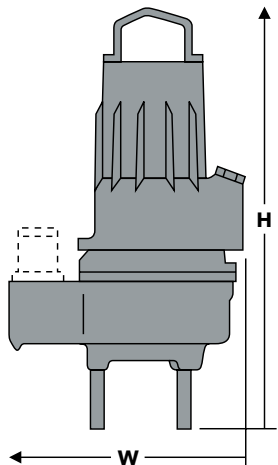


# 3000 Series Solids-Handling Sewage Pumps

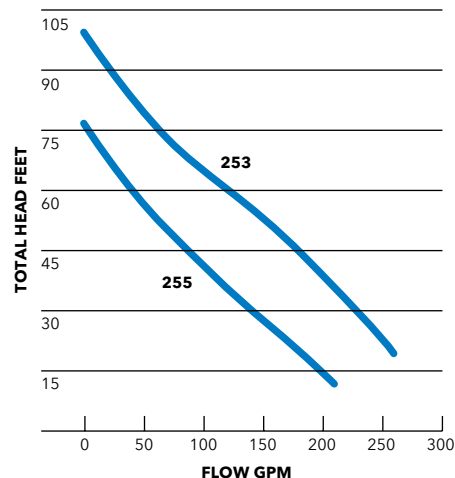
## CLOSED IMPELLERS

CS models feature closed wastewater impellers designed for pumping typical wastewater solids as found in many sewage applications. Usually, a stationary brass or nitrile rubber wear ring is set into the volute bottom, surrounding the lower part of the impeller, to prevent wear and maintain hydraulic efficiency. Larger models may also utilize a stainless steel rotating ring, tightly fitted around the lower part of the impeller, to further reduce wear.

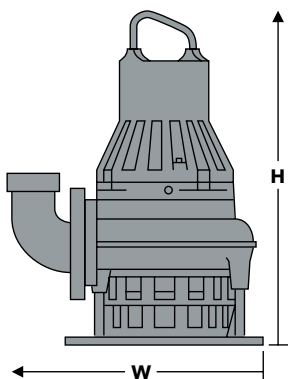
### CF/CS 3068



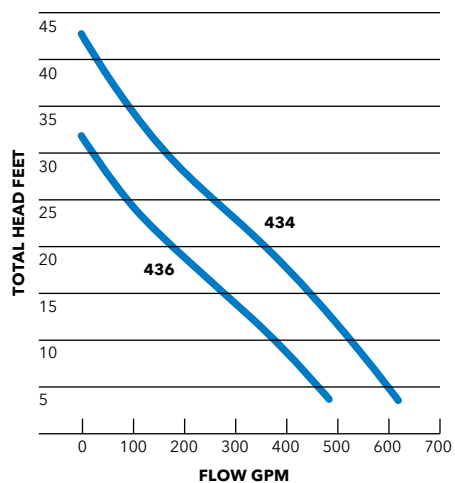
Model number: 3068.180  
 Motor rating: 1ø: 2.3 HP@3300 RPM  
 3ø: 2.7, 3.8 HP@3300 RPM  
 Voltage (1ø): 230V  
 Full load amps: 10A  
 Voltage (3ø): 200V 230V  
 Full load amps: 8.5/12A 7.5/10.4A  
 460V 575V  
 3.7/5.2A 2.9/4A  
 Versions: 2" High head  
 Imp. Code 255 (1ø), 253 (3ø)  
 Hose connection: Female NPT, Slip-on (optional)  
 Pump dimensions: 14 1/8" W (max.) x 22 3/8" H (max.)  
 Max. weight (lbs.): 84  
 Description: Cast iron construction; closed solids handling impeller with thrulet, rests on legs or stand.  
 Options: Explosion proof (FM approved) variant 3068.090



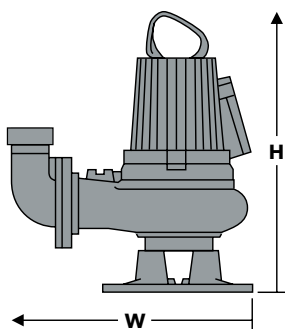
### CS 3085



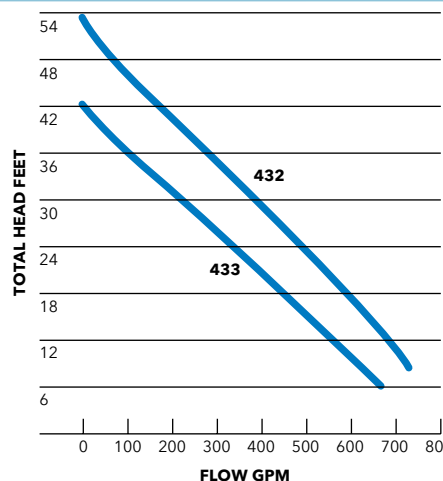
Model number: 3085.183  
 Motor rating: 1ø: 2.4 HP@1750 RPM  
 3ø: 2.2, 3 HP@1750 RPM  
 Voltage (1ø): 230V  
 Full load amps: 10A  
 Voltage (3ø): 200V 230V  
 Full load amps: 7.8/10A 6.7/9A  
 460V 575V  
 3.4/4.5A 2.7/3.6A  
 Versions: 3" Std., Imp. Code 436 (1ø, 3ø)  
 434 (3ø, 3HP only)  
 Hose connection: NPSM threaded, or slip-on  
 Pump dimensions: 19" W (max.) x 23 3/4" H (max.)  
 Max. weight (lbs.): 175  
 Description: Cast iron construction; closed solids handling impeller with thrulet, wear ring; rests on stand.  
 Options: Explosion proof (FM approved) variant 3085.092  
 Warm liquid versions available



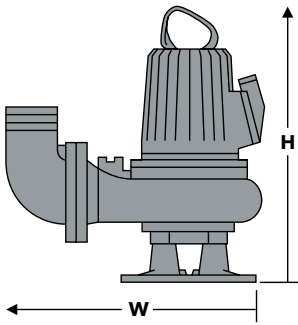
### CS 3102



Model number: 3102.181  
 Motor rating: 1ø: 3.9 HP@1730 RPM  
 3ø: 5 HP@1730 RPM  
 Voltage (1ø): 230V  
 Full load amps: 16A  
 Voltage (3ø): 200V 230V 460V 575V  
 Full load amps: 15A 13A 6.6A 5.3A  
 Versions: 4" Standard  
 Imp. Code 433 (1ø, 3ø), 432 (3ø)  
 Hose connection: NPSM threaded, or slip-on  
 Pump dimensions: 24" W (max.) x 27 3/4" H (max.)  
 Max. weight (lbs.): 245  
 Description: Cast iron construction; closed solids handling impeller with thrulet, wear ring; rests on stand.  
 Options: Explosion proof (FM approved) variant 3102.090  
 Warm liquid version available



## CS 3127



Model number: 3127.182  
 Motor rating: 1 $\phi$ : 7.5HP@1730 RPM  
 3 $\phi$ : 10HP@1730 RPM

Voltage (1 $\phi$ ): 230V  
 Full load amps: 30A

Voltage (3 $\phi$ ): 200V 230V 460V 575V  
 Full load amps: 29A 26A 13A 10A

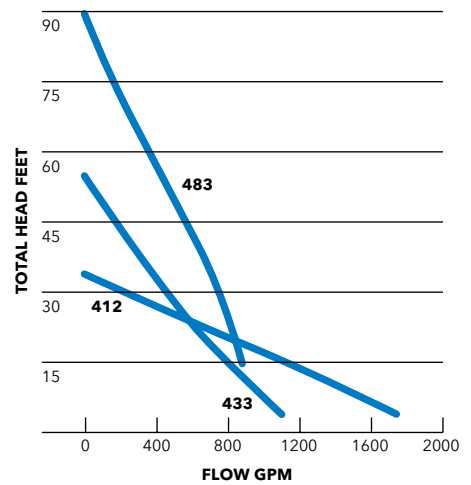
Versions: 4" High head  
 Imp. Code 462 (1 $\phi$ ), 483 (3 $\phi$ )  
 6" Std., Imp. Code 433 (1 $\phi$ ), 432 (3 $\phi$ )  
 8" Std., Imp. Code 412 (1 $\phi$ ), 411 (3 $\phi$ )

Hose connection: 4" & 6" NPSM threaded, or  
 4", 6" & 8" slip-on

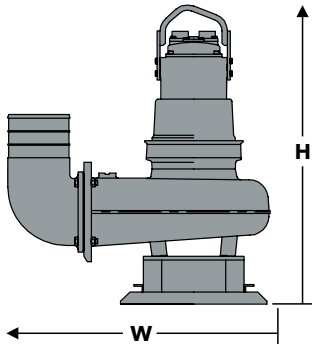
Pump dimensions: 31 1/2" W (max.) x 30 3/4" H (max.)  
 Max. weight (lbs.): 400

Description: Cast iron construction; closed solids handling impeller with thrulet, wear ring; rests on stand.

Options: Explosion proof (FM approved) variant 3127.091  
 Warm liquid version available



## CS3152



Model number: 3152.181  
 Motor rating: 14HP @ 1160 RPM  
 15HP @ 1745 RPM  
 20HP @ 1750 RPM  
 23HP @ 3500 RPM

Voltage (3 $\phi$ , 14 / 15HP): 200V 230V 460V 575V  
 Full load amps: 41/45 37/39 18/20 14/16

Voltage (3 $\phi$ , 20 / 23HP): 200V 230V 460V 575V  
 Full load amps: 58/61 51/53 26/26 20/21

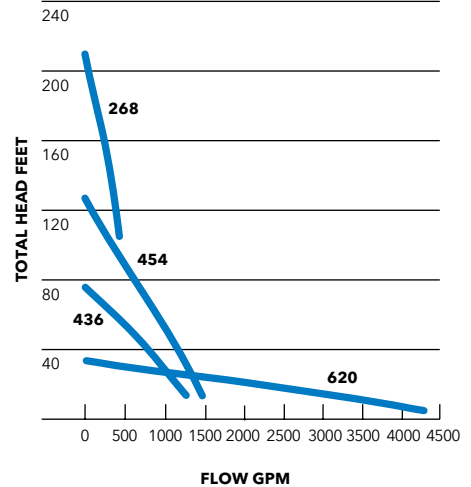
Versions: 4" High head  
 Imp. Code 454 (20HP), 268 (SH, 23HP)  
 6" Standard, Imp. Code 436 (15HP)  
 10" High Volume, Imp. Code 620 (14HP)

Hose connection: 4" & 6" NPSM threaded, or  
 4", 6" & 8" slip-on

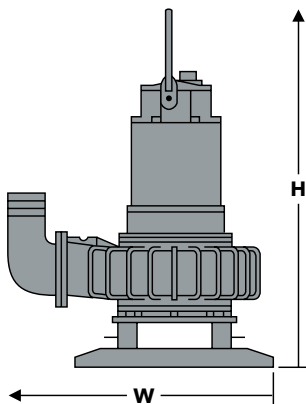
Pump dimensions: 42" W (max.) x 48-1/4" H (max.)  
 Max. weight (lbs.): 940

Description: Cast iron construction; closed solids handling impeller with thrulet, wear ring; rests on stand.

Options: Explosion proof (FM approved) variant 3127.091  
 Warm liquid version available



## CS 3300



Model number: 3300.181  
 Motor rating: 60HP@1170 RPM & 875 RPM  
 45 HP@875 RPM  
 75 HP, 88 HP@1170 RPM

Voltage (3 $\phi$ , 60HP): 460V 575V  
 Full load amps: 73/80A 58/65A

Voltage (3 $\phi$ , 45/75/88 HP): 460V 575V  
 Full load amps: 60/91/108A 48/73/86A

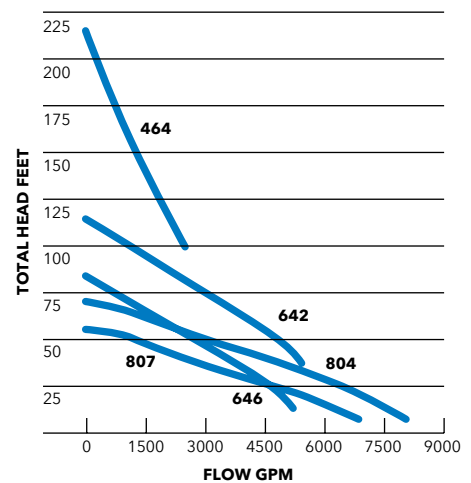
Versions: 6" High head, Imp. Code 464 (88 HP)  
 8" Standard  
 Imp. Code 646 (60HP), 642 (75 HP)  
 10" High volume  
 Imp. Code 807 (45HP), 804 (60HP)

Hose connection: Slip-on

Pump dimensions: 66" W (max.) x 75 3/4" H (max.)  
 Max. weight (lbs.): 1915

Description: Cast iron construction; closed solids handling impeller with thrulet, wear ring; rests on stand.

Options: Explosion proof (FM approved) variant 3300.091



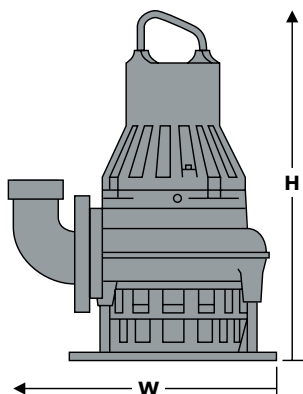


# 3000 Series N-Pump Sewage Pumps

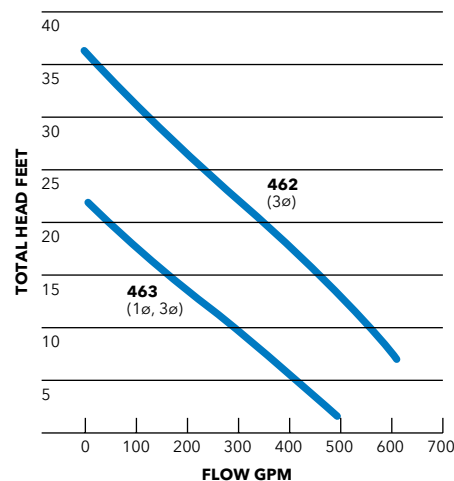
## N-IMPELLERS

These pumps are equipped with Flygt's innovative "self-cleaning" N-impeller. The open impeller works with a special relief groove at the bottom of the volute to continually keep it free from solids build-up. This proven design not only reduces clogging but also ensures continued long-term efficiencies, which significantly reduce electrical operating costs. An excellent choice where troublesome solids are present in the water to be pumped.

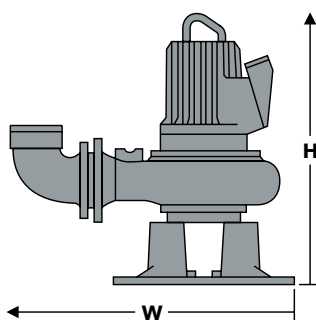
### NS 3085



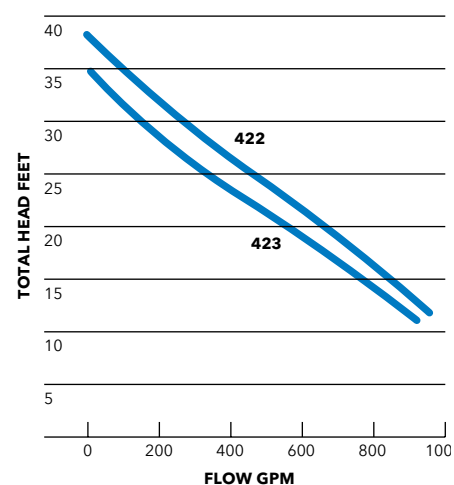
Model number: 3085.183  
 Motor rating: 1 $\phi$ : 2.4 HP@1750 RPM  
 3 $\phi$ : 2.2, 3 HP@1750 RPM  
 Voltage (1 $\phi$ ): 230V  
 Full load amps: 10A  
 Voltage (3 $\phi$ ): 200V 230V  
 Full load amps: 7.8/10A 6.7/9A  
 460V 575V  
 3.4/4.5A 2.7/3.6A  
 Versions: 3" Standard  
 Imp. Code 463 (1 $\phi$ , 3 $\phi$ ), 462 (3 $\phi$ )  
 Hose connection: NPSM threaded, or slip-on  
 Pump dimensions: 17<sup>3</sup>/<sub>4</sub>" W (max.) x 24<sup>1</sup>/<sub>4</sub>" H (max.)  
 Max. weight (lbs.): 175  
 Description: Cast iron construction; semi-open, backswept multi-vane, self-cleaning impeller; rests on stand.  
 Options: Explosion proof (FM approved) variant 3085.092  
 Warm liquid version available



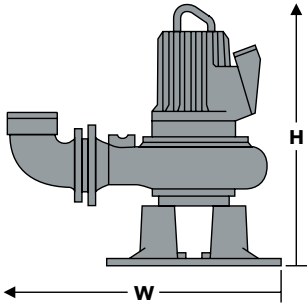
### NS 3102



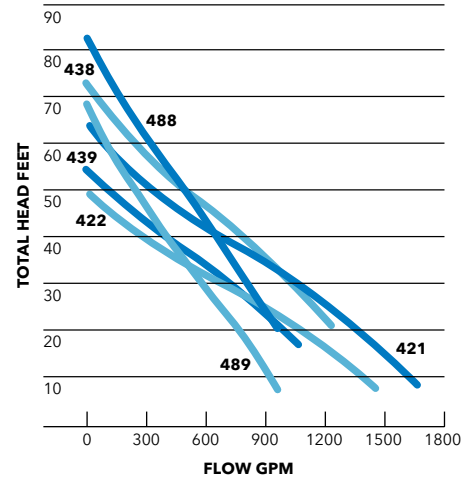
Model number: 3102.181  
 Motor rating: 5 HP@1730 RPM  
 Voltage (3 $\phi$ ): 200V 230V 460V 575V  
 Full load amps: 15A 13A 6.6A 5.3A  
 Versions: 4" & 6" High volume  
 Imp. Code 422, 423  
 Hose connection: NPSM threaded, or slip-on  
 Pump dimensions: 27" W (max.) x 28<sup>1</sup>/<sub>2</sub>" H (max.)  
 Max. weight (lbs.): 118  
 Description: Cast iron construction; semi-open, backswept multi-vane, self-cleaning impeller; rests on stand.  
 Options: Explosion proof (FM approved) variant 3102.090  
 Warm liquid version available



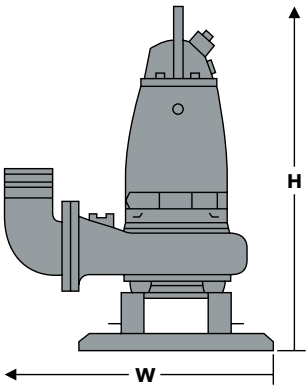
## NS 3127



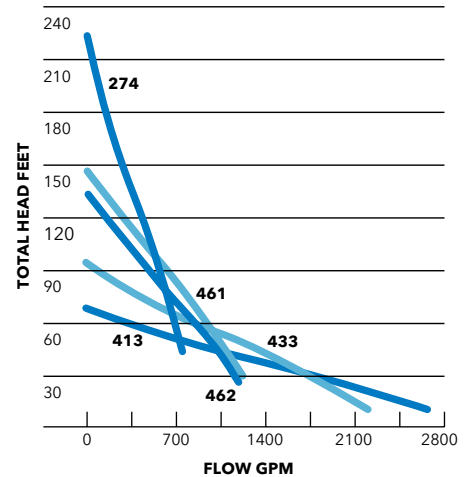
Model number: 3127.185  
 Motor rating: 1ø: 7.5HP@1730 RPM  
 3ø: 10HP@1740 RPM  
 Voltage (1ø): 230V  
 Full load amps: 30A  
 Voltage (3ø): 200V 230V 460V 575V  
 Full load amps: 29A 26A 13A 10A  
 Versions: 4" & 8" Standard  
 Imp. Code 420 (1ø), 438 (3ø)  
 8" High volume  
 Imp. Code 422 (1ø), 421 (3ø)  
 4" High head  
 Imp. Code 489 (1ø), 488 (3ø)  
 Hose connection: 4" & 6" NPSM threaded, or slip-on  
 4", 6" & 8" Slip-on  
 Pump dimensions: 31 1/2" W (max.) x 30 3/4" H (max.)  
 Max. weight (lbs.): 400  
 Description: Cast iron construction; semi-open, backswept multi-vane, self-cleaning impeller; rests on stand.  
 Options: Explosion proof (FM approved) variant 3127.095  
 Warm liquid version available



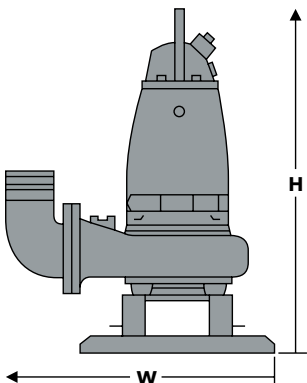
## NS 3153



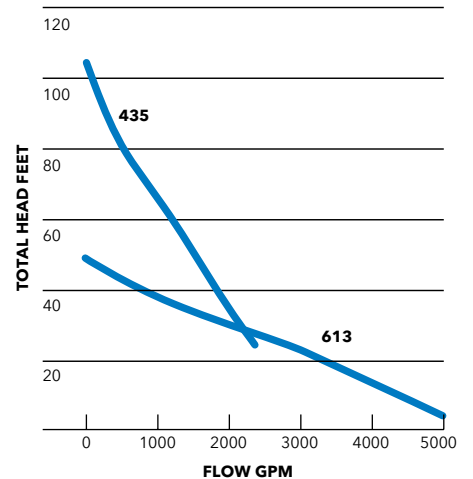
Model number: 3153.185  
 Motor rating: 20HP@1755 RPM  
 23HP@3510 RPM  
 Voltage (3ø): 200V 230V 460V 575V  
 Full load amps: 59A 52A 26A 21A  
 Versions: 4" Super high head, Imp. Code 274  
 4" High head, Imp. Code 461  
 6" Standard, Imp. Code 433  
 8" High volume, Imp. Code 413  
 Hose connection: 4", 6" & 8" Slip-on  
 Pump dimensions: 42" W (max.) x 47 1/4" H (max.)  
 Max. weight (lbs.): 840 - High volume, 530 - Standard  
 Description: Cast iron construction; semi-open, backswept multi-vane, self-cleaning impeller; rests on stand.  
 Options: Explosion proof (FM approved) variant 3153.095



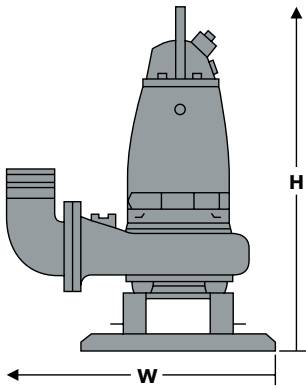
## NS 3171



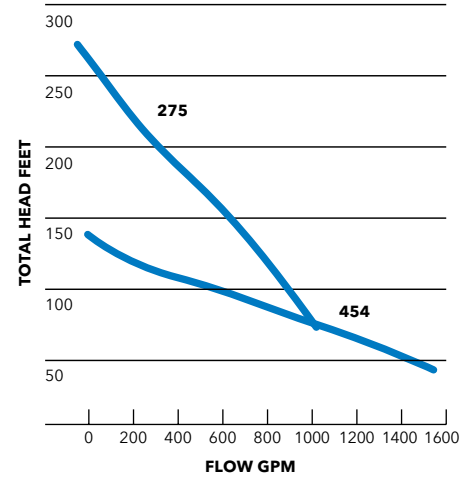
Model number: 3171.185  
 Motor rating: 25HP@1160 RPM  
 30HP@1740 RPM  
 Voltage (3ø): 230V 460V  
 Full load amps: 64/74 32/37  
 575V  
 25/30/31A  
 Versions: 6" Standard, Imp. Code 435  
 10" High volume, Imp. Code 613  
 Hose connection: 6" & 10" Slip-on  
 Pump dimensions: 45 1/2" W (max.) x 51 1/4" H (max.)  
 Max. weight (lbs.): 1060 - High volume, 770 - Standard  
 Description: Cast iron construction; semi-open, backswept multi-vane, self-cleaning impeller; rests on stand.  
 Options: Explosion proof (FM approved) variant 3171.095



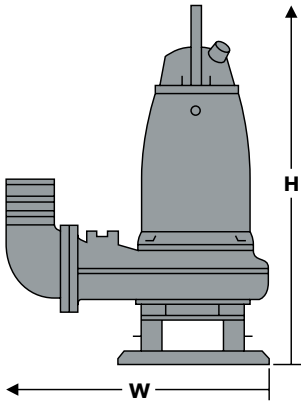
## NS 3171 (Continued)



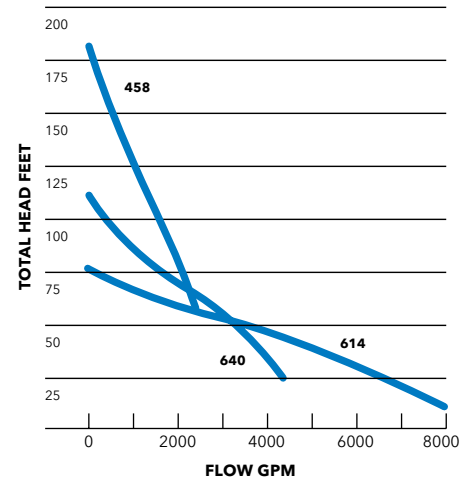
Model number: 3171.185  
 Motor rating: 30 HP@1740 RPM  
 34 HP@3525 RPM  
 Voltage (3Ø): 230V 460V  
 Full load amps: 74/79A 37/40A  
 575V  
 25/30/31A  
 Versions: 4" Super high head  
 Imp. Code 275  
 4" High head  
 Imp. Code 454  
 Hose connection: 4", 6" & 10" Slip-on  
 Pump dimensions: 45<sup>1</sup>/<sub>2</sub>" W (max.) x 51<sup>1</sup>/<sub>4</sub>" H (max.)  
 Max. weight (lbs.): 1060 - High volume, 770 - Standard  
 Description: Cast iron construction; semi-open, backswept multi-vane, self-cleaning impeller; rests on stand.  
 Options: Explosion proof (FM approved) variant 3171.095



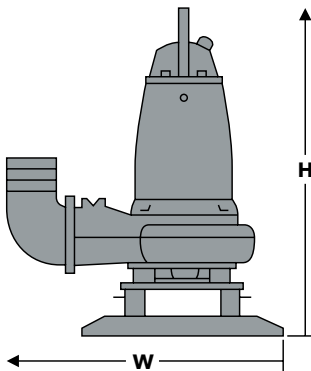
## NS 3202



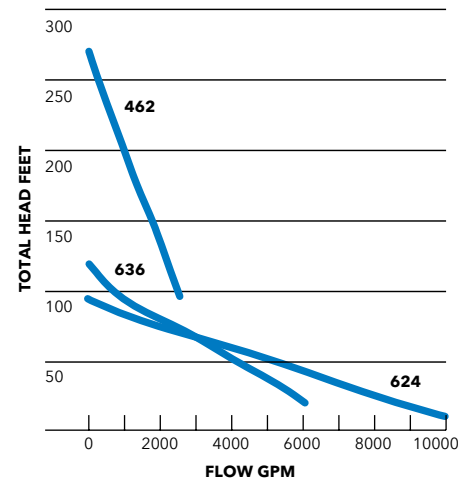
Model number: 3202.185  
 Motor rating: 60 HP@1170 RPM & 1775 RPM  
 70 HP@1775 RPM  
 Voltage (3Ø): 460V 575V  
 Full load amps: 72/68/80A 58/55/63A  
 Versions: 6" High head  
 Imp. Code 458  
 8" Standard  
 Imp. Code 640  
 10" High volume  
 Imp. Code 614  
 Hose connection: 6", 8" & 10" Slip-on  
 Pump dimensions: 52<sup>1</sup>/<sub>2</sub>" W (max.) x 62" H (max.)  
 Max. weight (lbs.): 1985 - High volume  
 1340 - Standard  
 Description: Cast iron construction; semi-open, backswept multi-vane, self-cleaning impeller; rests on stand.  
 Options: Explosion proof (FM approved) variant 3202.095



## NS 3301



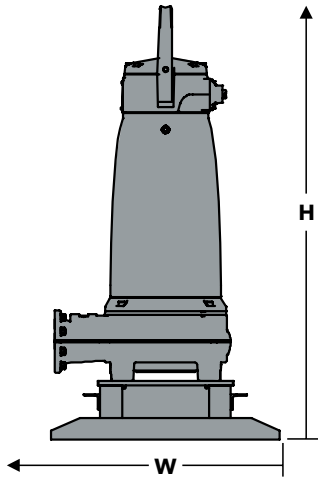
Model number: 3301.185  
 Motor rating: 85 HP@1185 RPM  
 105 HP@1780 RPM  
 Voltage (3Ø): 460V 575V  
 Full load amps: 109/121A 88/97A  
 Versions: 6" High head  
 Imp. Code 462  
 10" Standard  
 Imp. Code 636  
 12" High volume  
 Imp. Code 624  
 Hose connection: 6", 10" & 12" Slip-on  
 Pump dimensions: 56<sup>3</sup>/<sub>4</sub>" W (max.) x 67<sup>1</sup>/<sub>4</sub>" H (max.)  
 Max. weight (lbs.): 1985 - High volume  
 1340 - Standard  
 Description: Cast iron construction; semi-open, backswept multi-vane, self-cleaning impeller; rests on stand.  
 Options: Explosion proof (FM approved) variant 3301.095



# 3000 Series Heavy-Duty Sewage Pumps for Rental

When higher capacity is required, these models deliver unprecedented pumping power - reliably and efficiently.

## NS 3315

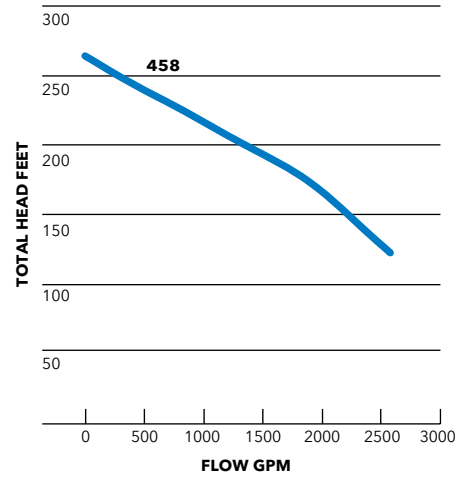


Model number: 3315.090  
 Motor Rating: 160HP @ 1780 RPM

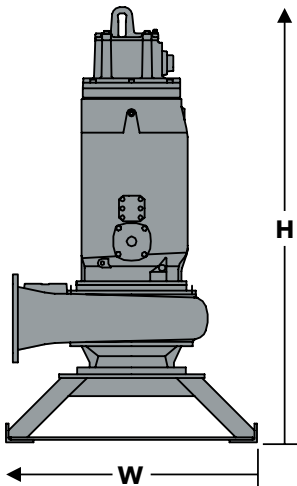
Voltage: 460V  
 Full load amps: 190  
 Versions: 6" High Head  
 Imp. Code 458

Hose connection: NPSM threaded  
 Pump dimensions: 40 1/8" W x 78 1/2" H  
 Max. weight (lbs.): 2690  
 Description: Cast iron construction;  
 semi-open, backswept  
 multi-vane, self-cleaning  
 impeller; rests on bottom stand.

Options: Explosion proof (FM approved)



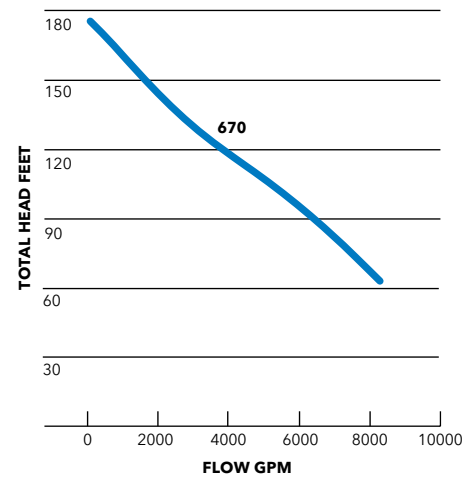
## NS 3312



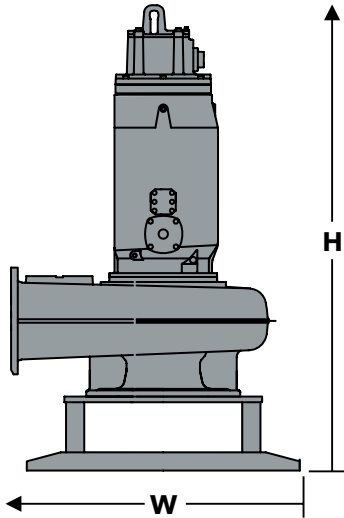
Model number: 3312/746  
 Motor Rating: 215HP @ 1185 RPM

Voltage: 460V  
 Full load amps: 254  
 Versions: 12" Standard  
 Imp. Code 670 (455mm trim)

Hose connection: ANSI Flange  
 Pump dimensions: 52 5/8" W x 93 3/4" H  
 Max. weight (lbs.): 5126  
 Description: Cast iron construction;  
 semi-open, backswept  
 multi-vane, self-cleaning  
 impeller; rests on bottom stand.



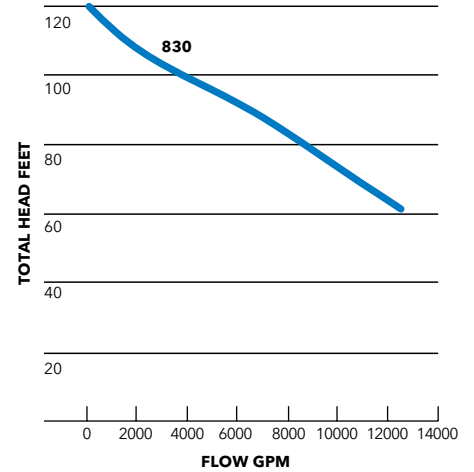
## CS 3400



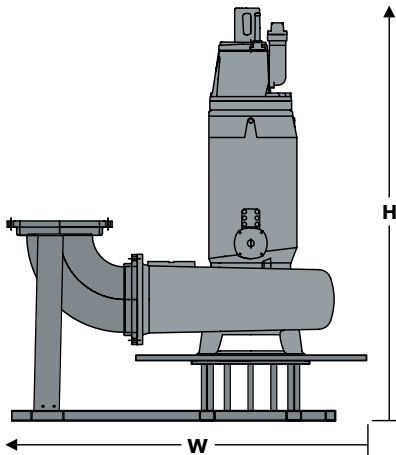
Model number: 3400/805  
 Motor Rating: 240HP @ 890 RPM

Voltage: 460V  
 Full load amps: 295  
 Versions: 16" Standard  
 Imp. Code 830  
 (510mm trim)

Hose connection: ANSI Flange  
 Pump dimensions: 63 1/2" W x 102 1/2" H  
 Max. weight (lbs.): 6350  
 Description: Cast iron construction;  
 closed solids-handling  
 impeller with thrulet,  
 wear ring; rests on stand.



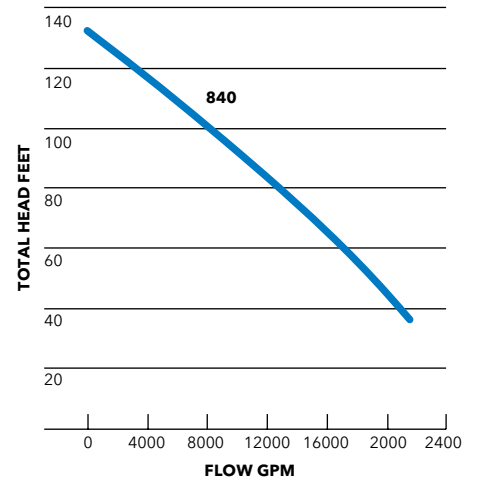
## CS 3531



Model number: 3531/835  
 Motor Rating: 335HP @ 890 RPM

Voltage: 460V  
 Full load amps: 430  
 Versions: 20" Standard  
 Imp. Code 840  
 (560mm trim)

Hose connection: 24" ANSI Flange Elbow  
 Pump dimensions: 102" W x 132" H  
 Max. weight (lbs.): 13,405 (including stand,  
 elbow, vortex plate  
 Description: Cast iron construction;  
 closed solids-handling  
 impeller with thrulet,  
 wear ring; rests on stand.



# Flygt 5000 Series

A chain is only as strong as its weakest link. That's why we pay attention to the details: it's only by eliminating all the weak links that we can supply pumps our customers really can rely on. Pumps that give them greater peace of mind.

**The main difference** between slurry and waste water pumps is in the parts that are in direct contact with the slurry and thus subject to wear by the slurry's solid particles.

## Better heat transfer

Our specially designed and manufactured motor provides enhanced cooling because heat losses are concentrated around the stator. Trickle impregnated in resin (Class H insulation), the stator windings are rated at 180°C (355°F) and enable up to 30 starts per hour.

## Efficient cooling

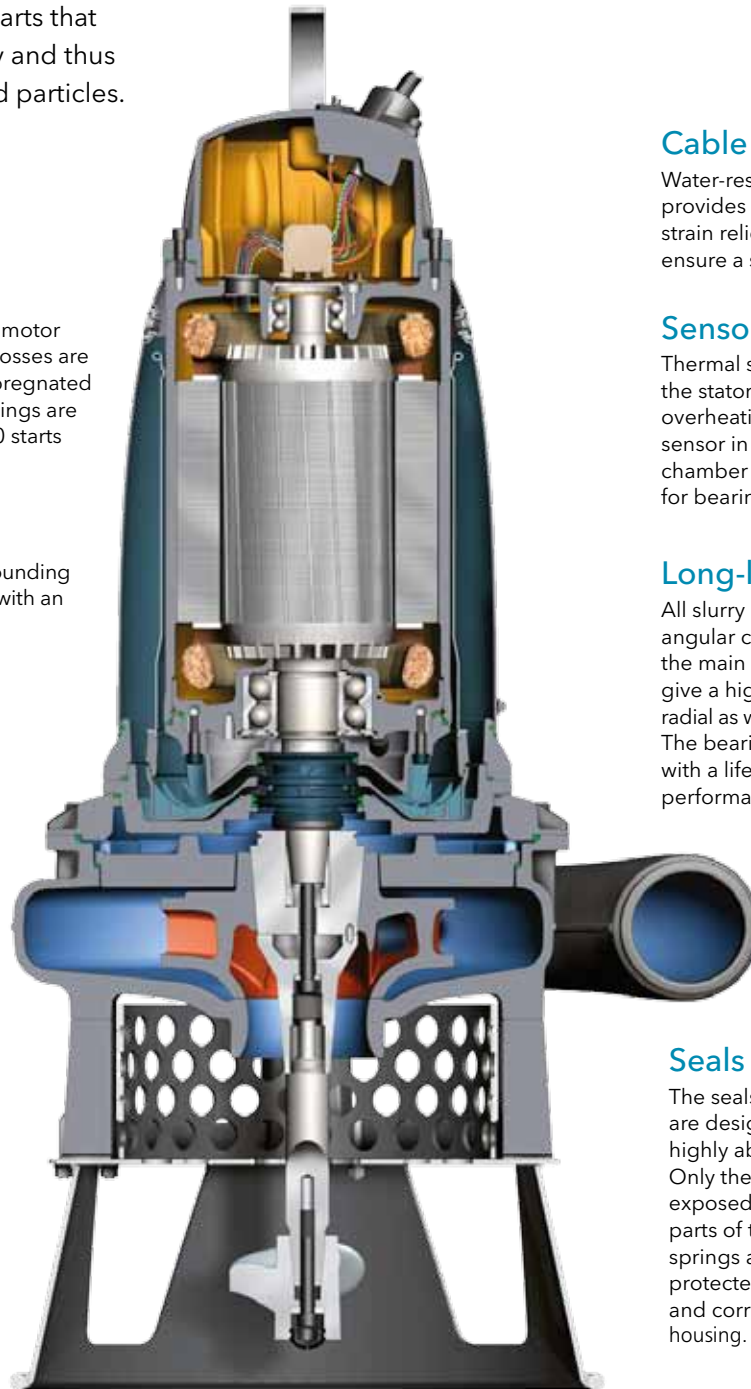
These pumps are cooled either by the surrounding liquid or, in more demanding applications, with an internal closed-loop cooling system.

## Inspection chamber

To increase operational reliability, an inspection chamber between the seal unit and the bearings enables rapid spot checks and maintenance. In the case of a seal failure, a built-in sensor provides an early warning of any fluid build-up, thus reducing the risk of expensive repair work.

## Agitator

The pump can be equipped with an agitator. The unique design of Flygt agitators create a strong vertical thrust, which forces settled solids into suspension. This makes the particles easier to transport and ensures a cleaner sump at the end of the pumping cycle. When pumping coarse slurries, an agitator mounted on the pump shaft resuspends settled particles and makes them possible to transport.



## Cable entry

Water-resistant cable entry provides both sealing and strain relief functions to ensure a safe installation.

## Sensors

Thermal sensors embedded in the stator windings prevent overheating, and a leakage sensor in the inspection chamber minimizes the risk for bearing and stator failure.

## Long-life bearings

All slurry pumps have two row angular contact ball bearings as the main bearing, because they give a high load capability in the radial as well as the axial direction. The bearings are well protected with a lifetime lubrication of high performance grease.

## Seals

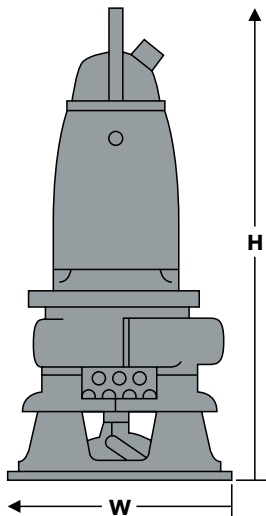
The seals for the slurry pumps are designed to cope with highly abrasive pump media. Only the seal rings are exposed to the media. Other parts of the seal, such as springs and torque locks are protected from wear, clogging and corrosion inside the seal housing.

*Flygt 5150-series submersible pump equipped with agitator*

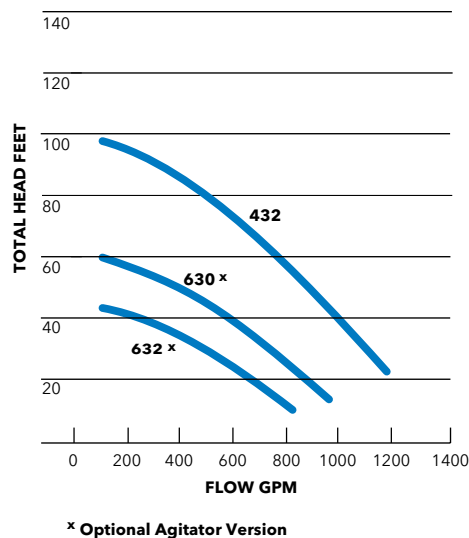
# 5000 Series Heavy-Duty Slurry Pumps

HS 5100/5500 series pumps will easily handle extremely abrasive slurries containing sand, gravel, grit or ash, without damage. Both the impeller and pump casing are made of high chrome alloyed cast iron, for maximum abrasion resistance. The HS 5100 series pumps use a one-piece pump casing, while the HS 5500 series have a replaceable liner of high chrome alloyed cast iron. Heavy-duty mechanical seals are protected by a unique expeller and pressure isolation chamber. The optional agitator, when attached to the shaft, resuspends particles around the pump inlet.

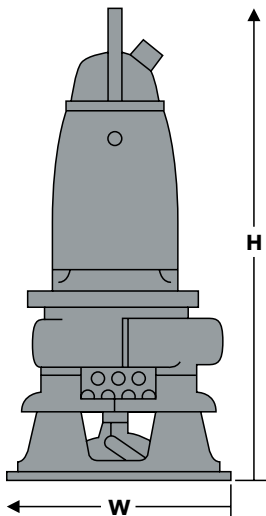
## HS 5100.211



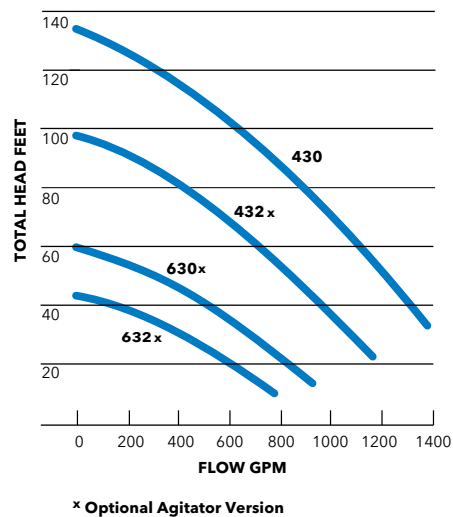
Model number: 5100.211  
 Motor rating: 15 HP@1150 RPM  
 20 HP@1755 RPM  
 Voltage (3∅): 230V  
 Full load amps: 46/52A  
 460V 575V  
 22/26A 17/21A  
 Versions: 4" Std., Imp.  
 4" High vol., Imp.  
 Discharge conn: 4" Victaulic  
 Pump dimensions: 23 1/2" W (max.),  
 45 1/4" H (max.)  
 Max. weight (lbs.): 555  
 Description: Cast iron construction with high chrome volute; high chrome multi-vane closed impeller; rests on stand.  
 Options: Agitator;  
 Explosion proof (FM approved) variant 5100.221



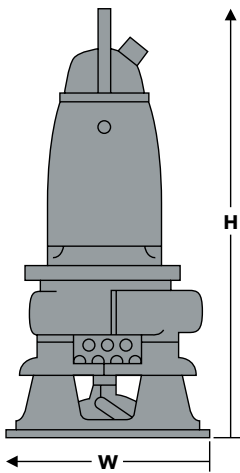
## HS 5100.251



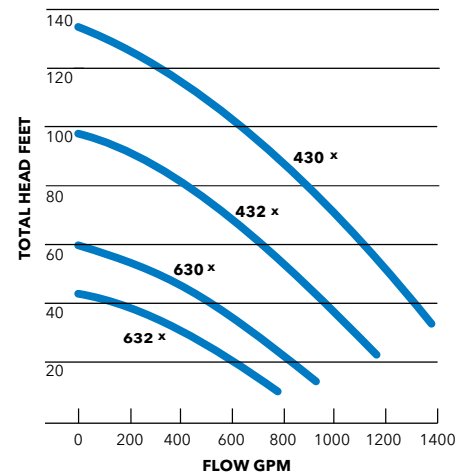
Model number: 5100.251  
 Motor rating: 25 HP@1160 RPM  
 34 HP@1760 RPM  
 Voltage (3∅): 230V  
 Full load amps: 64/81A  
 460V 575V  
 32/40A 25/32A  
 Versions: 4" Std., Imp.  
 4" High vol., Imp.  
 Discharge conn: 4" Victaulic  
 Pump dimensions: 23 1/2" W (max.),  
 50 1/4" H (max.)  
 Max. weight (lbs.): 710  
 Description: Cast iron construction with high chrome volute; high chrome multi-vane closed impeller; rests on stand.  
 Options: Agitator;  
 Explosion proof (FM approved) variant 5100.261



## HS 5100.300

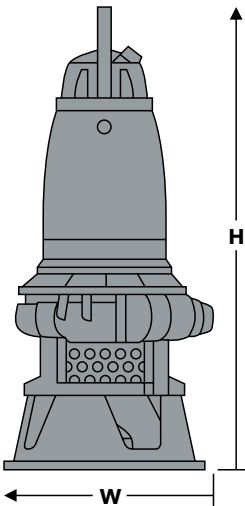


Model number: 5100.300  
 Motor rating: 45HP@1170 RPM  
 70HP@1775 RPM  
 Voltage (3Ø): 460V 575V  
 Full load amps: 55/72/80A 44/58/63A  
 Versions: 4" Standard  
 Imp. Code 430, 432  
 4" High volume  
 Imp. Code 630, 632  
 Discharge conn: 4" Victaulic  
 Pump dimensions: 23 1/2" W (max.),  
 57 3/4" H (max.)  
 Max. weight (lbs.): 1095  
 Description: Cast iron construction with high  
 chrome volute; high chrome  
 multi-vane closed impeller; rests  
 on stand.  
 Options: Agitator;  
 Explosion proof (FM approved)  
 variant 5100.310

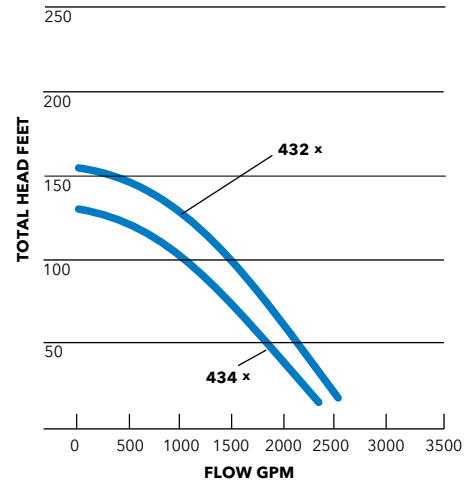


\* Optional Agitator Version

## HS 5150.300

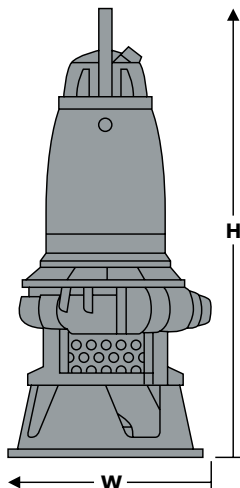


Model number: 5150.300  
 Motor rating: 60HP@1775 RPM  
 Voltage (3Ø): 460V 575V  
 Full load amps: 68/80A 55/63A  
 Versions: 6" Standard  
 Imp. Code 432, 434  
 Discharge conn: 6" Victaulic  
 Pump dimensions: 34 1/2" W (max.),  
 65 1/4" H (max.)  
 Max. weight (lbs.): 1465  
 Description: Cast iron construction with high  
 chrome volute; high chrome  
 multi-vane closed impeller; rests  
 on stand.  
 Options: Agitator;  
 Explosion proof (FM approved)  
 variant 5150.310

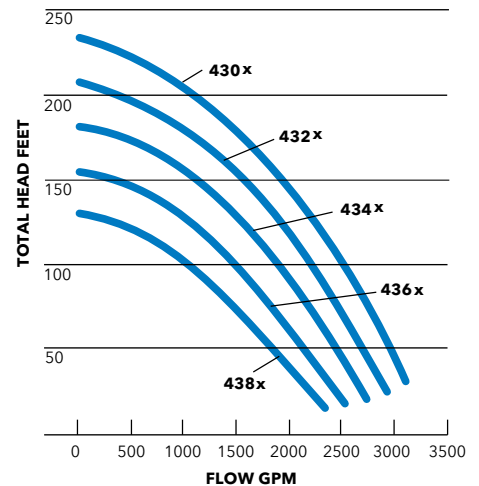


\* Optional Agitator Version

## HS 5150.350



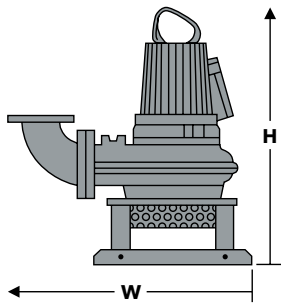
Model number: 5150.350  
 Motor rating: 85HP@1775 RPM  
 Voltage (3Ø): 460V 575V  
 Full load amps: 101/125A 80/101A  
 Versions: 6" Standard  
 Imp. Code 430, 432, 434,  
 436, 438  
 Discharge conn: 6" Victaulic  
 Pump dimensions: 34 1/2" W (max.),  
 70 1/4" H (max.)  
 Max. weight (lbs.): 2005  
 Description: Cast iron construction with high  
 chrome volute; high chrome  
 multi-vane closed impeller; rests  
 on stand.  
 Options: Agitator;  
 Explosion proof (FM approved)  
 variant 5150.360



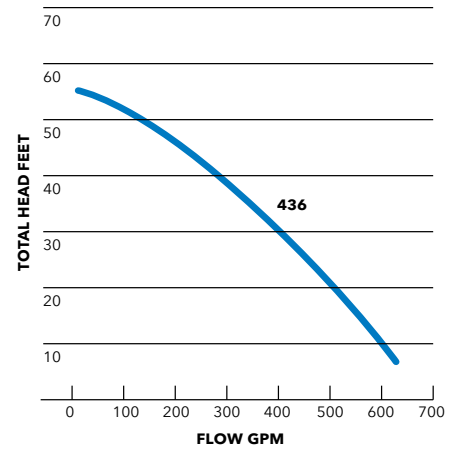
\* Optional Agitator Version



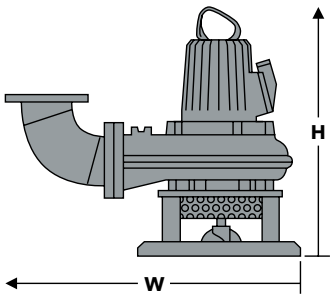
### HS 5520



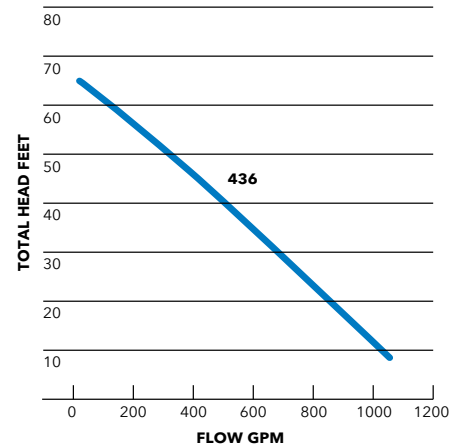
Model number: 5520.180  
 Motor rating: 5 HP @ 1735 RPM  
 Voltage (3 $\phi$ ): 460V  
 Full load amps: 6.6A  
 Discharge conn: 4" Flange  
 Impeller code: 436  
 Pump dimensions: 29 1/2" W (max.),  
 33 1/2" H (max.)  
 Max. weight (lbs.): 380  
 Stator and pump housing material: Cast iron  
 Options: FM approved variant;  
 Warm liquid version available



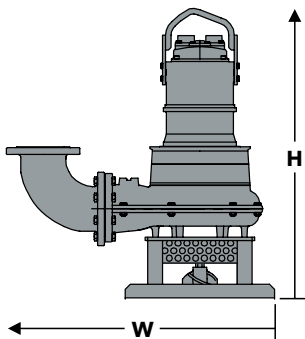
### HS 5530



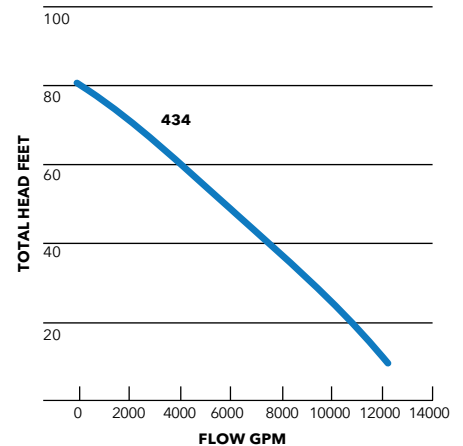
Model number: 5530.180  
 Motor rating: 10 HP @ 1740 RPM  
 Voltage (3 $\phi$ ): 460V  
 Full load amps: 13A  
 Discharge conn: 6" Flange  
 Impeller code: 436  
 Pump dimensions: 42 1/2" W (max.),  
 40" H (max.)  
 Max. weight (lbs.): 680  
 Stator and pump housing material: Cast iron  
 Options: Agitator;  
 FM approved variant;  
 Warm liquid version available



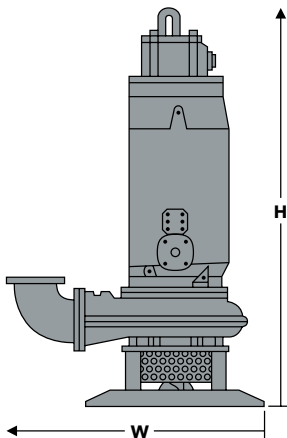
### HS 5540



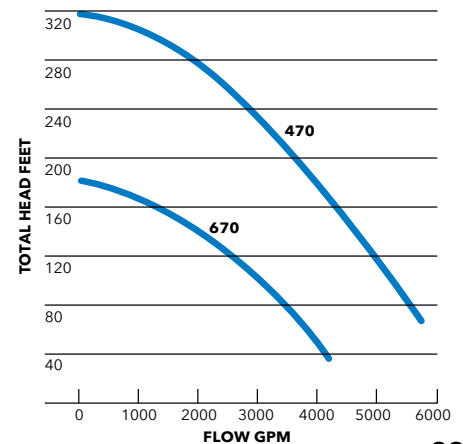
Model number: 5540.181  
 Motor rating: 20 HP @ 1750 RPM  
 Voltage (3 $\phi$ ): 460V  
 Full load amps: 26  
 Discharge conn: 6" Flange  
 Impeller code: 434  
 Pump dimensions: 42 1/2" W (max.),  
 46 1/4" H (max.)  
 Max. weight (lbs.): 891  
 Stator and pump housing material: Cast iron  
 Options: Agitator (Imp. Code 435);  
 FM approved variant;  
 Warm liquid version available



### HS 5570



Model number: 5570.180  
 Motor rating: 335 HP @ 1760 RPM  
 280 HP @ 1185 RPM  
 Voltage (3 $\phi$ ): 460V 575V  
 Full load amps: 365/345A 300/266A  
 Discharge conn: 8" Flange  
 Impeller code: 470, 670  
 Pump dimensions: 59" W (max.),  
 80 1/4" H (max.)  
 Max. weight (lbs.): 3230  
 Stator and pump housing material: Cast iron  
 Options: Agitator;  
 FM approved variant;  
 Warm liquid version available



# Flygt Accessories

## Automatic Level Control Systems



Xylem offers a family of automatic controls that allow unattended operation of Flygt portable pumps. They are available with either two Flygt ENM-10 level sensors or with FPC 100 controller. The FPC 100 allows for automatic pump operation without the use of floats or level sensors.

## Manual Control for Medium and Large Portable Pumps



A complete range of manual controls are available for medium and large portable Flygt submersible pumps. Each NEMA 4X enclosure is equipped with the correct circuit breaker/overload for pump protection of the model involved.

## Manual Control for Small Portable Pumps



These strong, rugged units provide easy manual control and full electrical protection for smaller Flygt portable submersibles. They include Flygt short-circuit and overload protection, along with starting components for single phase models, housed in a NEMA 4X watertight and corrosion resistant enclosure.

## Zinc Anodes



High grade zinc anode kits are available for most Flygt submersible pumps to help protect against the damaging effects of galvanic corrosion. The anodes are easily mounted to the pump with the stainless steel hardware provided. Specify exact pump model when ordering.

## Tandem Coupling Kits



Tandem coupling kits are available for most models, allowing the pump to connect in series with another Flygt submersible pump to overcome severe vertical heights. The coupling kit is easily installed after the strainer is removed, allowing the connecting hose from another pump to be attached with clamps. Consult your nearest Flygt location for pressure limitations and other application requirements.

## Flygt FPC100 Automatic Pump Controller



The Flygt FPC100 Automatic Pump Controller is used primarily for dewatering pumps in construction and mining applications where ordinary level sensors are not the ideal choice. The FPC 100 offers entirely automatic pump control without the need for components built into the pump or separate level sensor arrangements.

## Flygt Pump Flotation Modules



Flygt pump flotation modules (PFM) have been developed to provide a light-weight and cost-effective alternative to traditional steel pontoons. The flotation modules are prefabricated from strong polyethylene with foam filling. The pump floats close to the surface, increasing the pump's service life and reducing maintenance since the pump is no longer working in a high solids environment.

## Low Suction Collar



The Flygt low suction collar removes unwanted water down to very low levels when required for emergency services. This works with pump models 2610, 2620 and 2640.