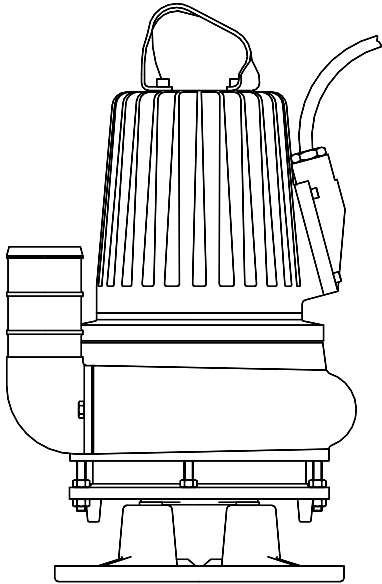
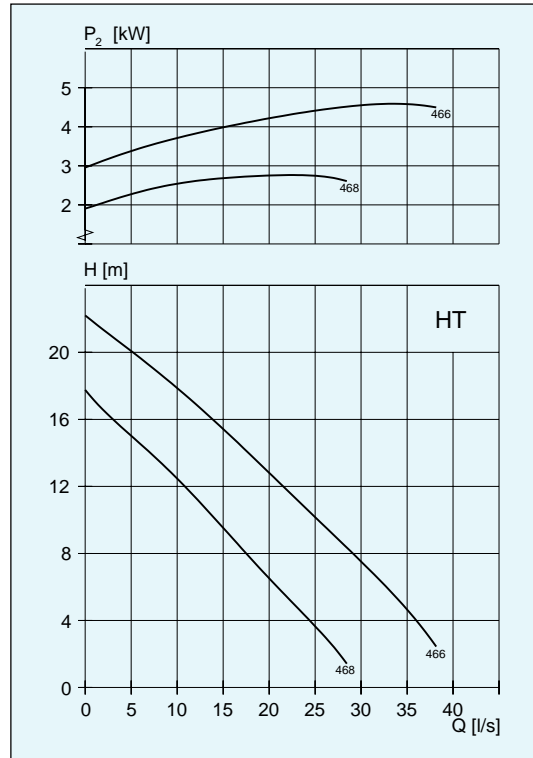


H 3127



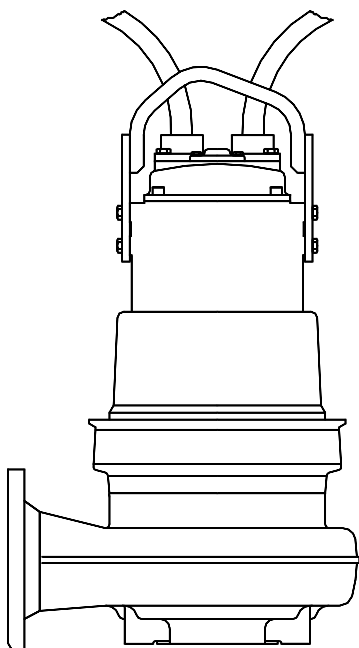
Weight, kg	HS
HT	157

HS



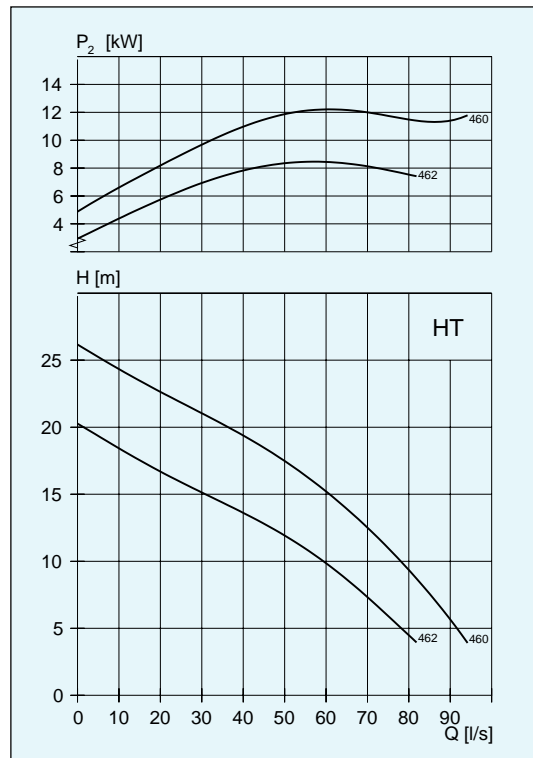
Impeller code	No. of channels	Outlet dia mm	Through-let, mm	Rated power kW		rpm	Available versions
				P ₁	P ₂		
W466	1	∅ 80	51	7.0	5.9	1445	HS
466	1	∅ 80	51	5.7	4.7	1445	HS
W468	1	∅ 80	50	7.0	5.9	1445	HS
468	1	∅ 80	50	5.7	4.7	1445	HS

H 3152



Weight, kg	HP	HS
HT	263	274

HP/HS



Impeller code	No. of channels	Outlet dia mm	Through-let, mm	Rated power kW		rpm	Available versions
				P ₁	P ₂		
460*	3	∅ 150	50	15.8	13.5	1450	HS
W462*	3	∅ 150	50	15.8	13.5	1450	HS
462*	3	∅ 150	50	10.7	9	1455	HS

* NPSH₁₀ = 11 m at 84 l/s