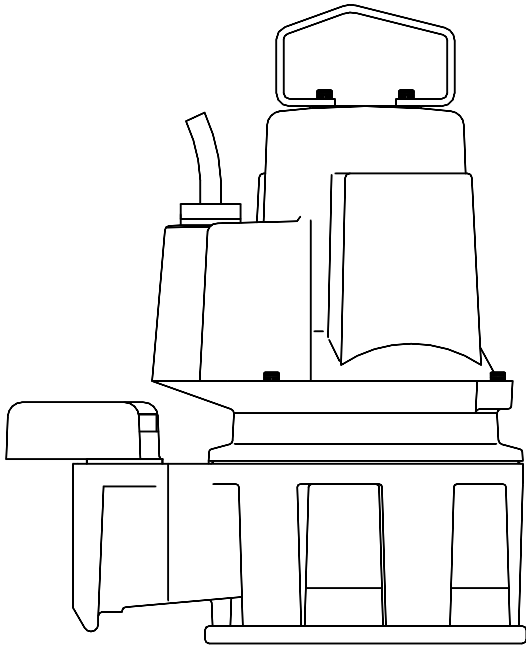
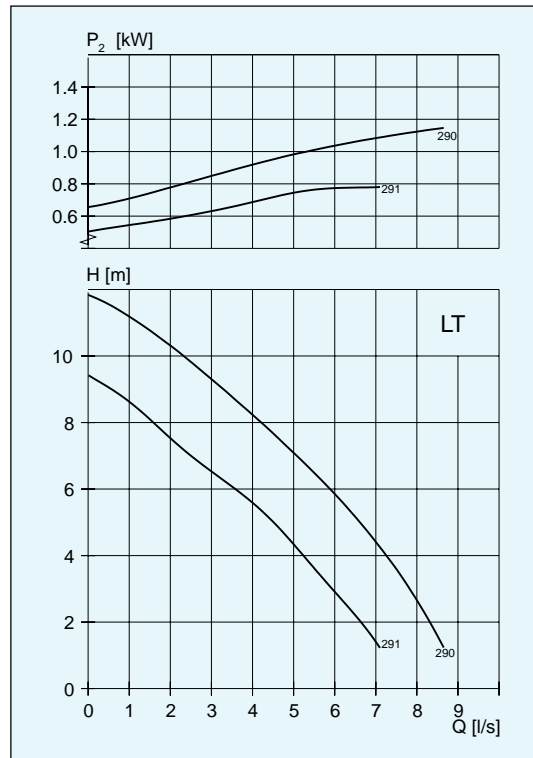


F 3067



Pump type	FP	FS
Weight, kg	38	38

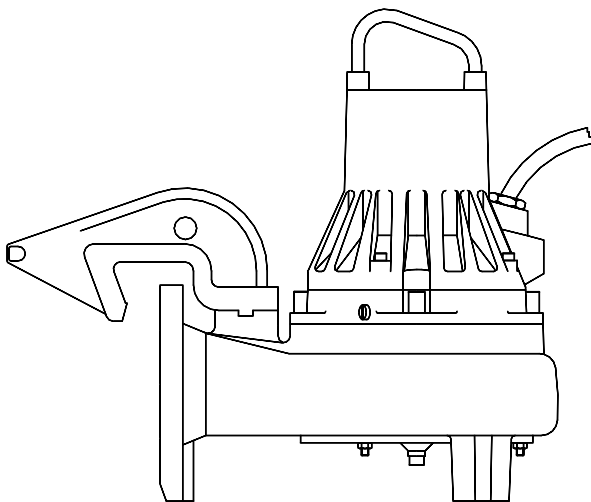
FP/FS



Impeller code	No. of vanes	Outlet dia mm FP vers.	Motor rating kW		rpm	Available versions
			P_1	P_2		
W290	3	50	1.6	1.2	2820	FP/FS
W291	3	50	1.6	1.2	2820	FP/FS
291*	3	50	1.5	1.0	2845	FP/FS

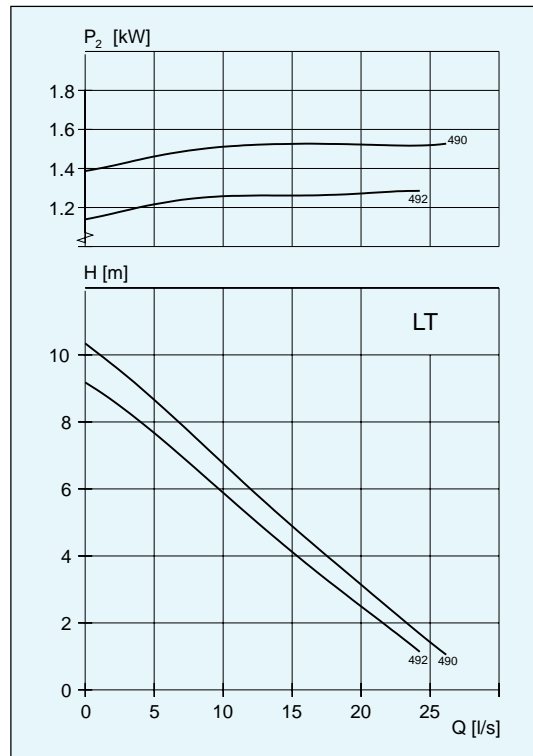
* Single-phase

F 3085



Pump type	FP	FS
Weight, kg	85	84

FP/FS



Impeller code	No. of vanes	Outlet dia mm FP vers.	Motor rating kW		rpm	Available versions
			P_1	P_2		
W490	2	100	2.7	2.0	1395	FP/FS
W492	2	100	2.7	2.0	1395	FP/FS
492*	2	100	2.0	1.5	1440	FP/FS

* Single-phase