



# Flygt Submersible Pumps

AVAILABLE FOR RENTAL AND SALE

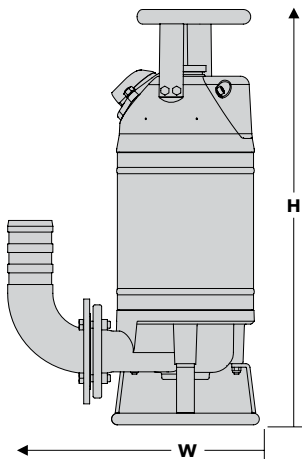


[www.motralec.com](http://www.motralec.com) / [service-commercial@motralec.com](mailto:service-commercial@motralec.com) / 01.39.97.65.10

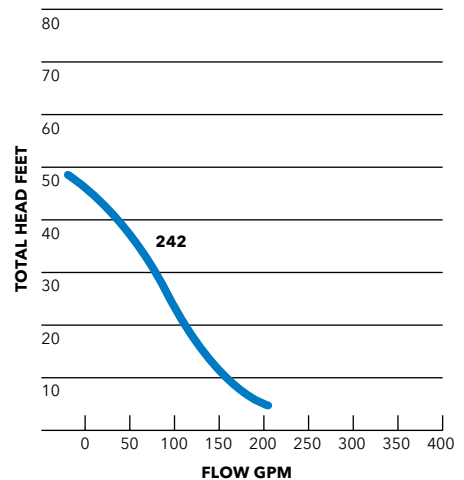
# Stainless Steel 2700 Series Sludge Pumps

## VORTEX IMPELLERS

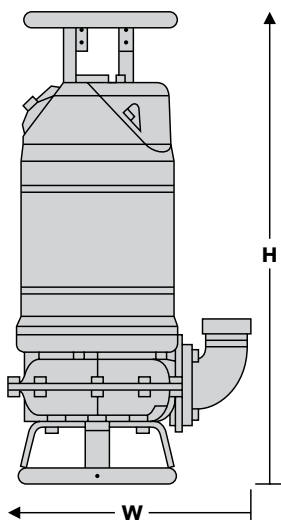
### DS 2720 (SS)



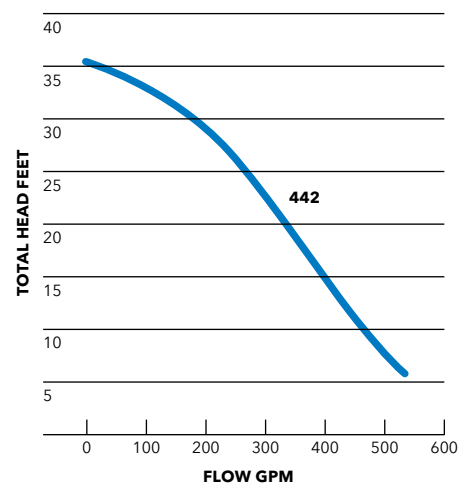
Model number: 2720.280  
 Motor rating: 3.1HP@3315RPM  
 Voltage (3∅): 230V 460V 575V  
 Full load amps: 8.5 4.2 3.4  
 Versions: 3" Standard  
 Imp. Code 242  
 Hose connection: Standard  
 Pump dimensions: 16 1/2' W x 28 H  
 Max. weight (lbs.): 111  
 Description: Stainless steel construction; open impeller; rests on bottom strainer.



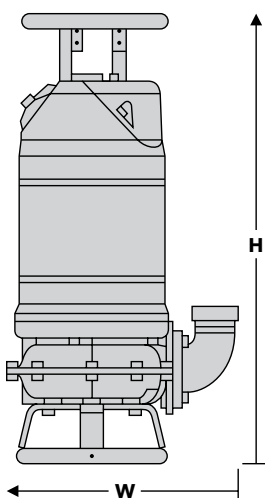
### DS 2730 (SS)



Model number: 2730.280  
 Motor rating: 6.8HP@1675RPM  
 Voltage (3∅): 230V 460V 575V  
 Full load amps: 18A 9A 7.3A  
 Versions: 4" Standard  
 Imp. Code 442  
 Hose connection: Male NPT  
 Pump dimensions: 16 1/2" W (max.) x 28 3/8" H (max.)  
 Max. weight (lbs.): 209  
 Description: Stainless steel construction; vortex impeller; rests on bottom stand.



### DS 2740 (SS)



Model number: 2740.280  
 Motor rating: 9 HP@3455 RPM  
 Voltage (3∅): 230V 460V 575V  
 Full load amps: 21A 11A 8.6A  
 Versions: 3" High head  
 Imp. Code 244  
 Hose connection: Male NPT  
 Pump dimensions: 16 1/2" W (max.) x 28 3/8" H (max.)  
 Max. weight (lbs.): 209  
 Description: Stainless steel construction; vortex impeller; rests on bottom stand.

