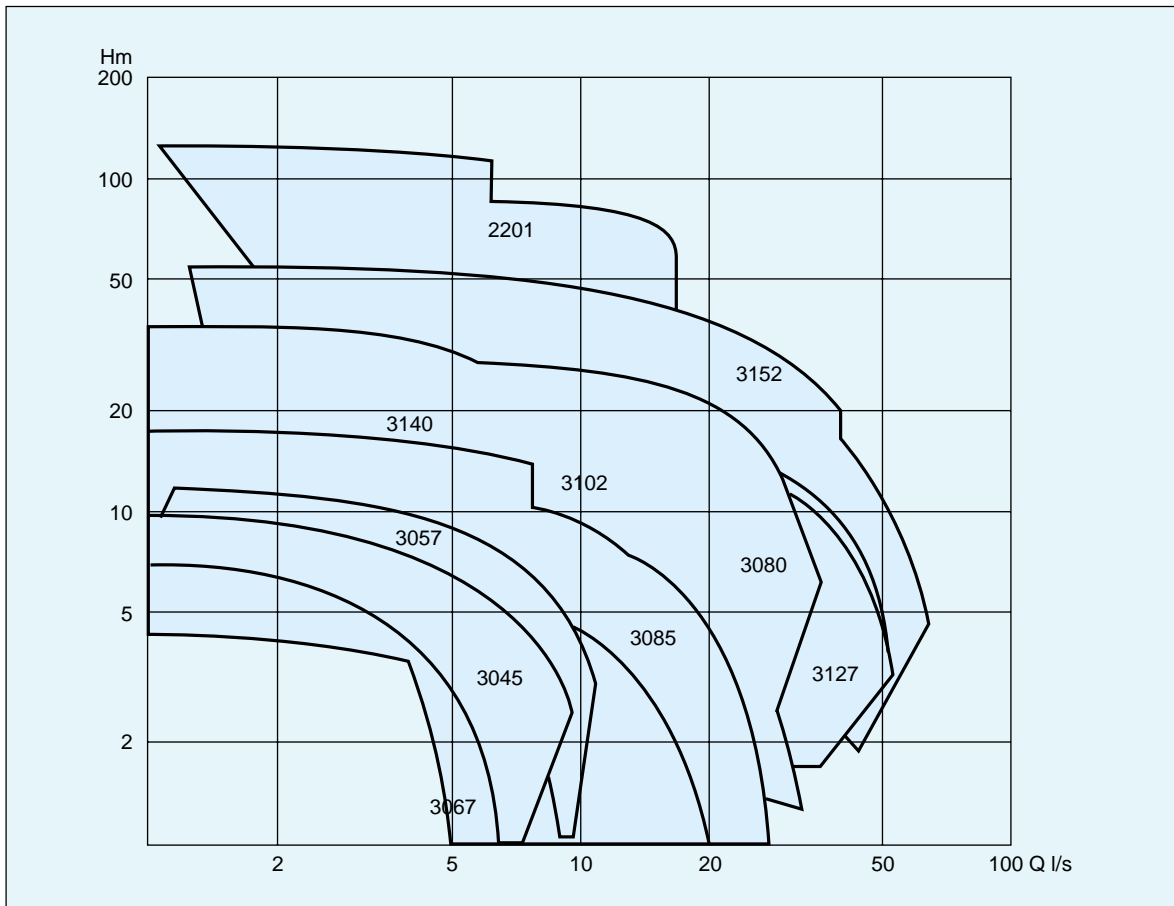
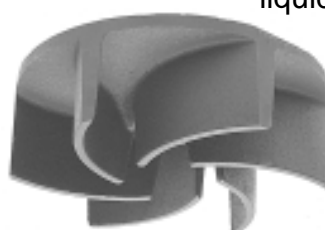


D-PUMPS • 50 Hz

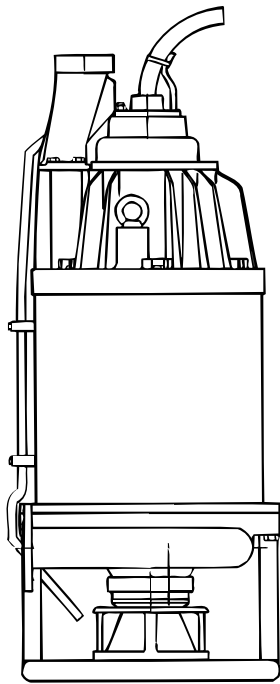


D-pumps are equipped with a vortex impeller in a volute. Pumping takes place by the impeller inducing a rapidly rotating vortex, with consequent pressure rise in the liquid. As a result, most of the solid particles in the liquid never come into contact with the impeller, thereby minimizing wear.



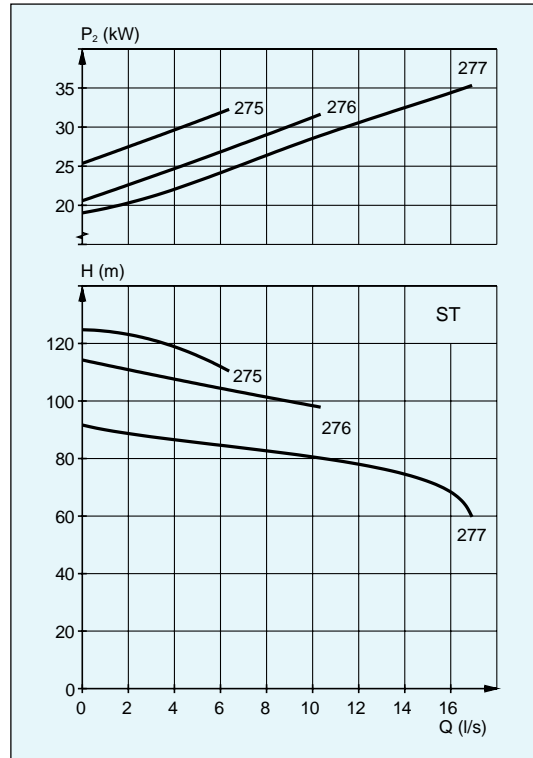
The throughlet area of a pump with a torque flow impeller is almost as large as the pump inlet.

D 2201



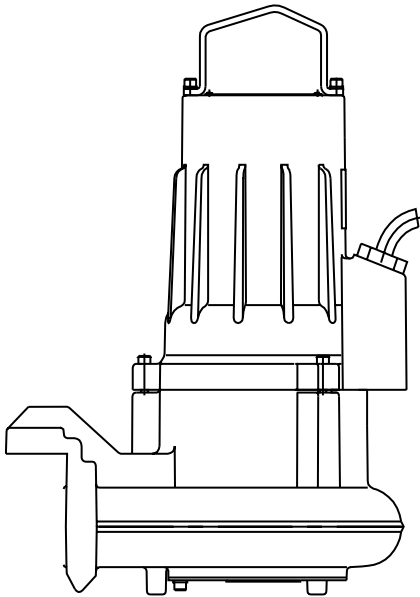
Pump type	DS
Weight, kg	415

DS



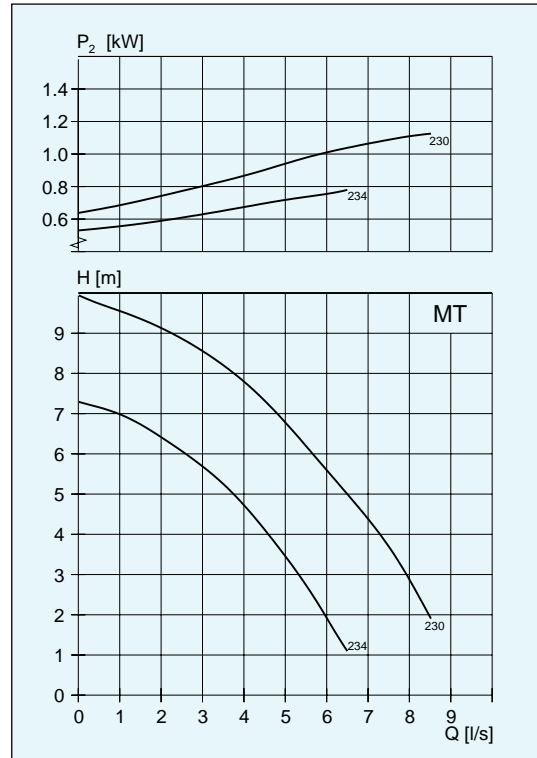
Impeller code	Outlet dia mm DP vers.	Through-let, mm	Motor rating kW		rpm	Available versions
			P ₁	P ₂		
275	40	10	41	37	2940	DS
276	40	10	41	37	2940	DS
277	40	10	41	37	2940	DS

D 3045



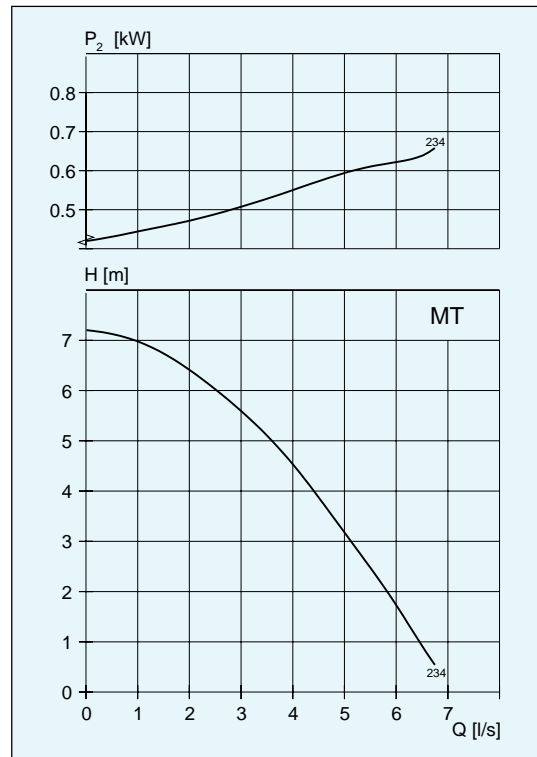
Pump type	DP	DF	DH	DS
Weight, kg	28	28	28	28

DP/DF/DH/DS



Impeller code	Outlet dia mm DP vers.	Through-let, mm	Motor rating kW		rpm	Available versions
			P ₁	P ₂		
230	50	48	1.5	1.2	2790	DP/DF/DHDS
234	50	48	1.5	1.2	2790	DP/DF/DHDS
234	50	48	1.0	0.8	2870	DP/DF/DHDS

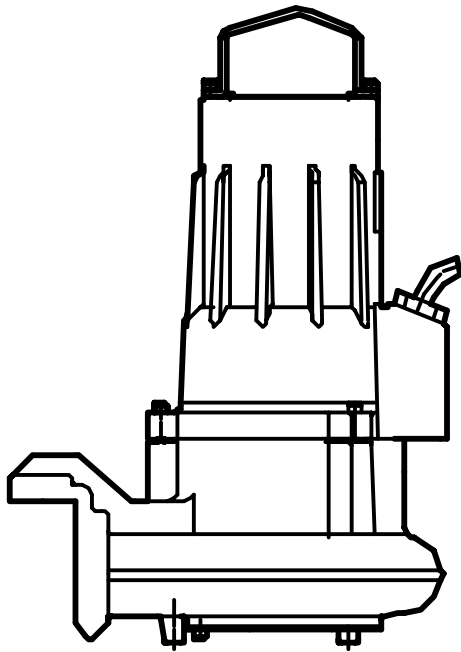
DP/DF/DH/DS



Impeller code	Outlet dia mm DP vers.	Through-let, mm	Motor rating kW		rpm	Available versions
			P ₁	P ₂		
234*	50	48	1.0	0.75	2750	DP/DF/DHDS

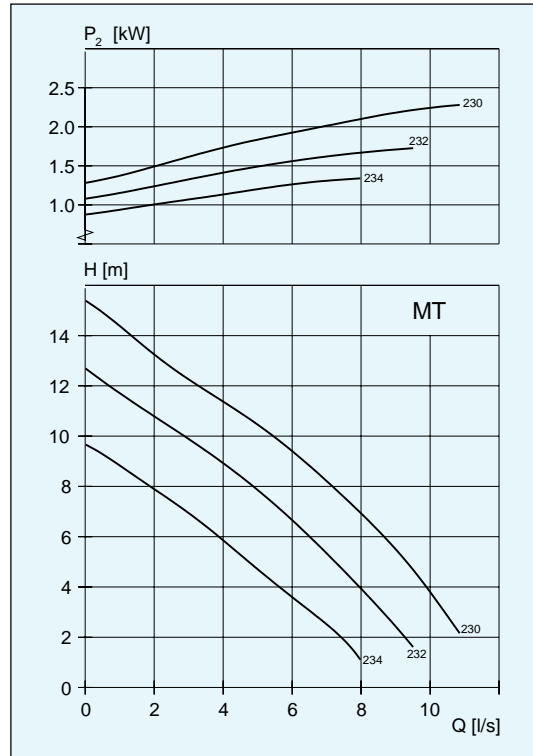
*Single phase

D 3057



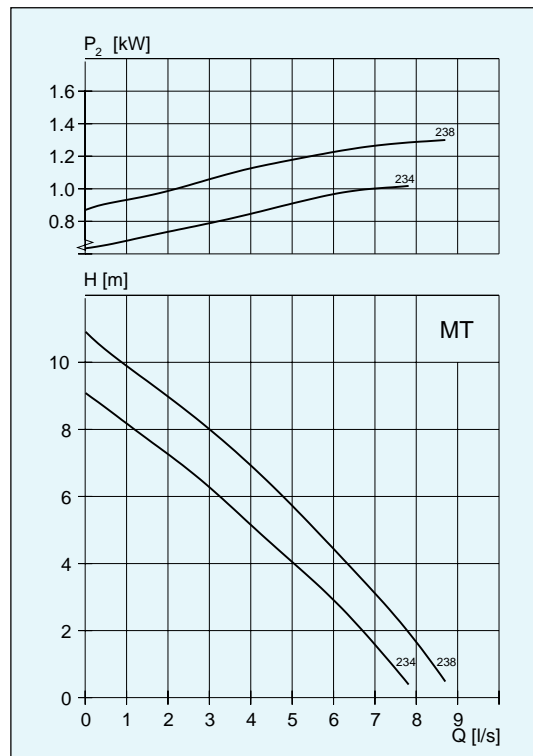
Pump type	DP	DS	DF
Weight, kg	31	31	31

DP/DS/DF



Impeller code	Outlet dia mm DP vers.	Through-let, mm	Motor rating kW		rpm	Available versions
			P ₁	P ₂		
W230	50	48	3.1	2.4	2695	DP/DS/DF
230	50	48	2.3	1.7	2695	DP/DS/DF
W232	50	48	3.1	2.4	2695	DP/DS/DF
232	50	48	2.3	1.7	2695	DP/DS/DF
W234	50	48	3.1	2.4	2695	DP/DS/DF
234	50	48	2.3	1.7	2695	DP/DS/DF

DP/DS/DF

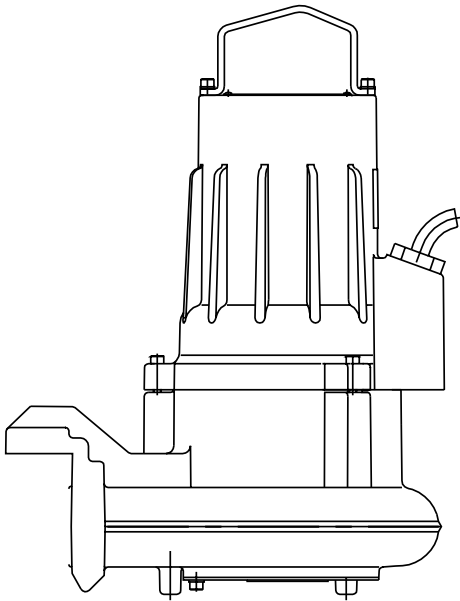


Impeller code	Outlet dia mm DP vers.	Through-let, mm	Motor rating kW		rpm	Available versions
			P ₁	P ₂		
234*	50	50	2.1	1.5	2695	DP/DS/DF
238*	50	50	2.1	1.5	2695	DP/DS/DF

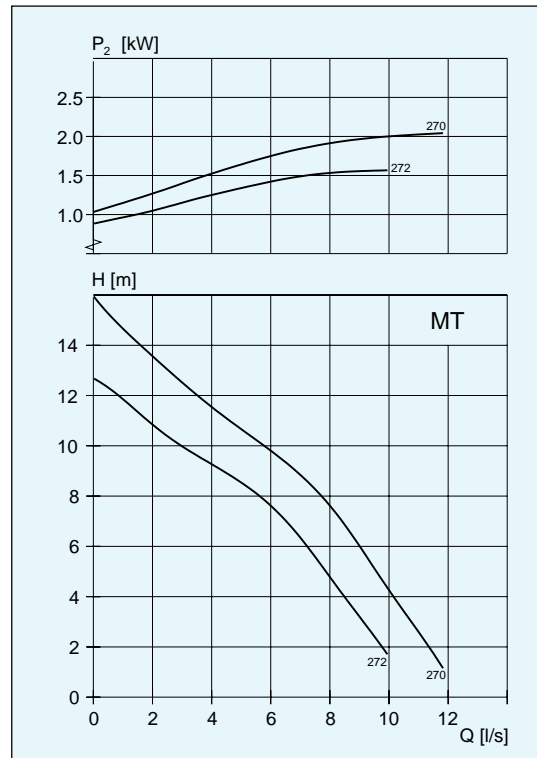
* Single phase

D 3057

Abrasion resistant

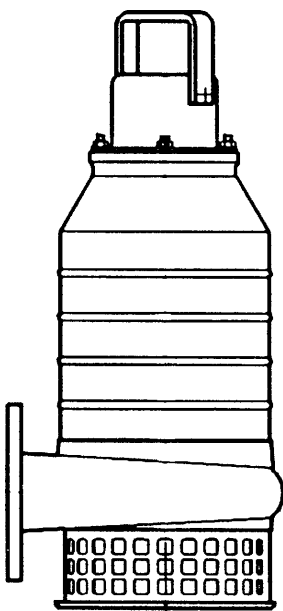


DP/DS/DF Abrasion resistant

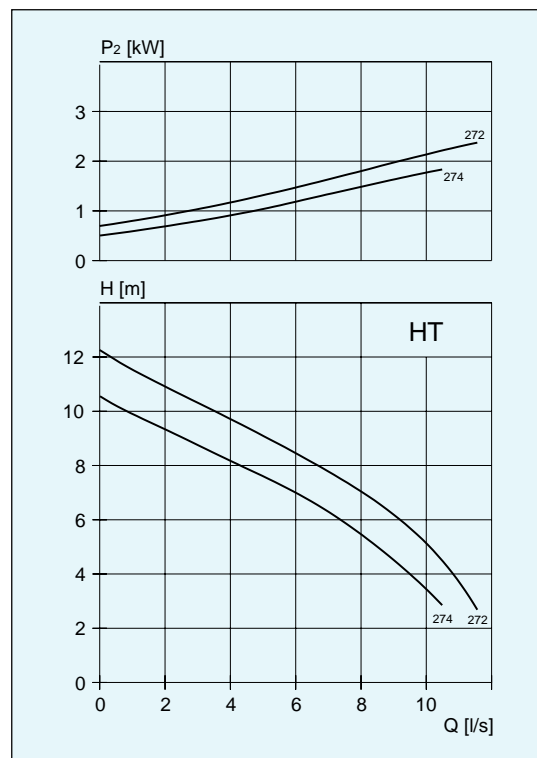


Impeller code	Outlet dia mm DP vers.	Through-let, mm	Motor rating kW		rpm	Available versions
			P_1	P_2		
270	50	24	3.1	2.4	2865	DP/DS/DF
272	50	24	3.1	2.4	2865	DP/DS/DF

D 3060



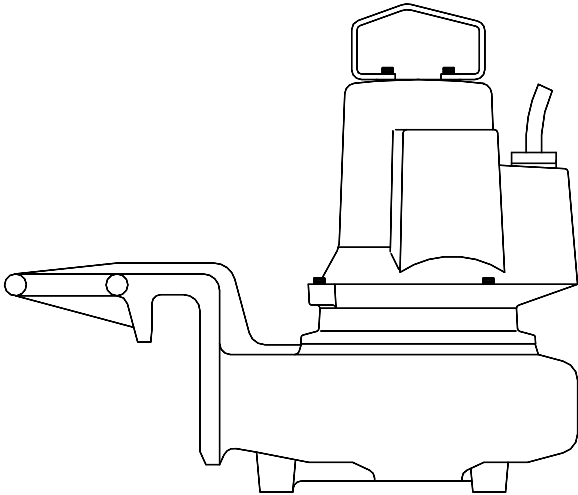
DP/DT/DS



Impeller code	Outlet dia mm, DP vers.	Through-let, mm	Motor rating kW		rpm	Available versions
			P_1	P_2		
272	75	15 x 15	3.3	2.4	2800	DP/DT/DS
274	75	15 x 15	3.3	2.4	2800	DP/DT/DS

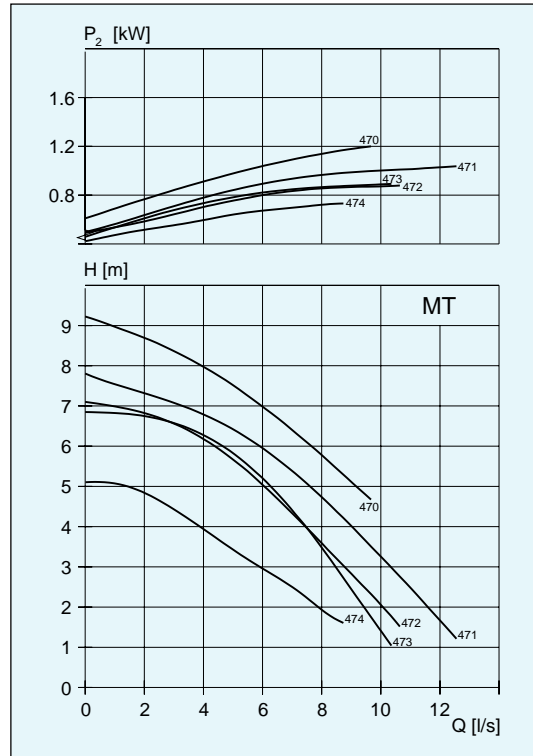
Pump type	DP	DS	DT
Weight, kg	41	41	45

D 3067



Pump type	DP	DS	DF
Weight, kg	41	49	47

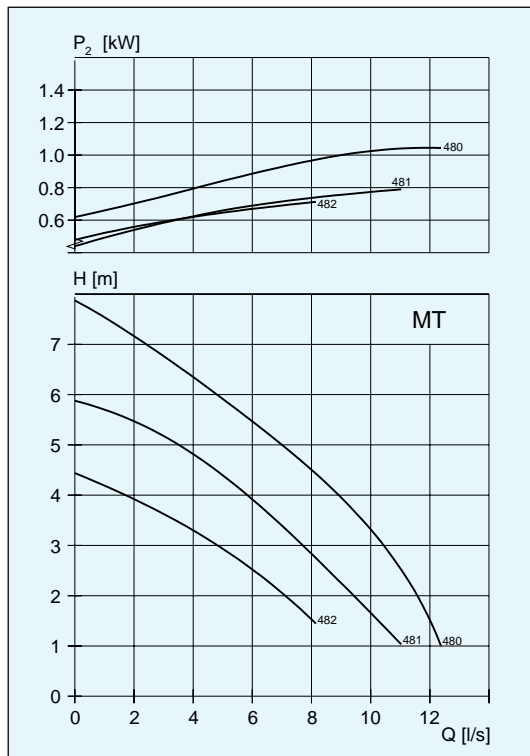
DP/DS/DF



Impeller code	Outlet dia mm DP vers.	Through-let, mm	Motor rating kW		rpm	Available versions
			P ₁	P ₂		
W470	65	55 or 65	1.7	1.2	1345	DP/DS/DF
W471	65	55 or 65	1.7	1.2	1345	DP/DS/DF
W472	65	55 or 65	1.7	1.2	1345	DP/DS/DF
W473	65	55 or 65	1.7	1.2	1345	DP/DS/DF
W474	65	55 or 65	1.7	1.2	1345	DP/DS/DF
473*	65	55 or 65	1.3	0.8	1375	DP/DS/DF

* Single phase

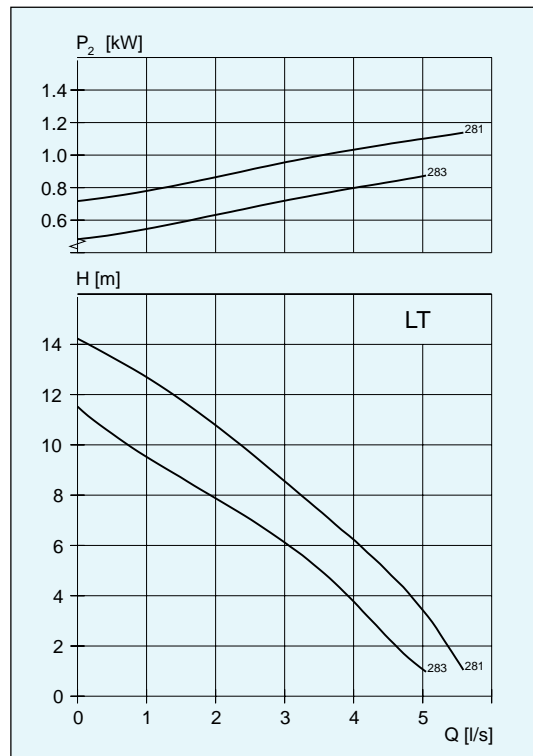
DP/DS/DF



Impeller code	Outlet dia mm DP vers.	Through-let, mm	Motor rating kW		rpm	Available versions
			P ₁	P ₂		
W480	65	55 or 65	1.7	1.2	1345	DP/DS/DF
W481	65	55 or 65	1.7	1.2	1345	DP/DS/DF
W482	65	55 or 65	1.7	1.2	1345	DP/DS/DF
481*	65	55 or 65	1.3	0.8	1375	DP/DS/DF

* Single phase

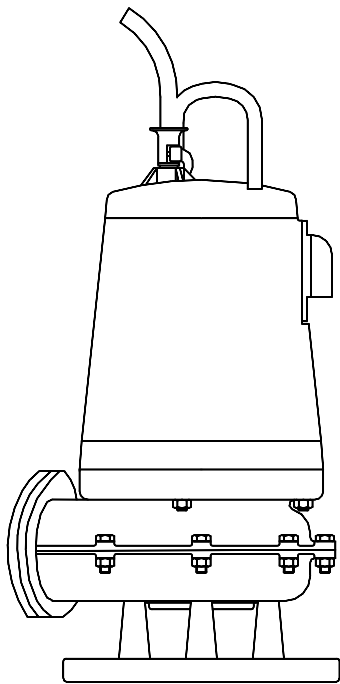
DP/DS



Impeller code	Outlet dia mm DP vers.	Through-let, mm	Motor rating kW		rpm	Available versions
			P ₁	P ₂		
W281	50	∅ 30	1.5	1.2	2770	DP/DS
W283	50	∅ 30	1.5	1.2	2820	DP/DS
283*	50	∅ 30	1.3	0.9	2815	DP/DS

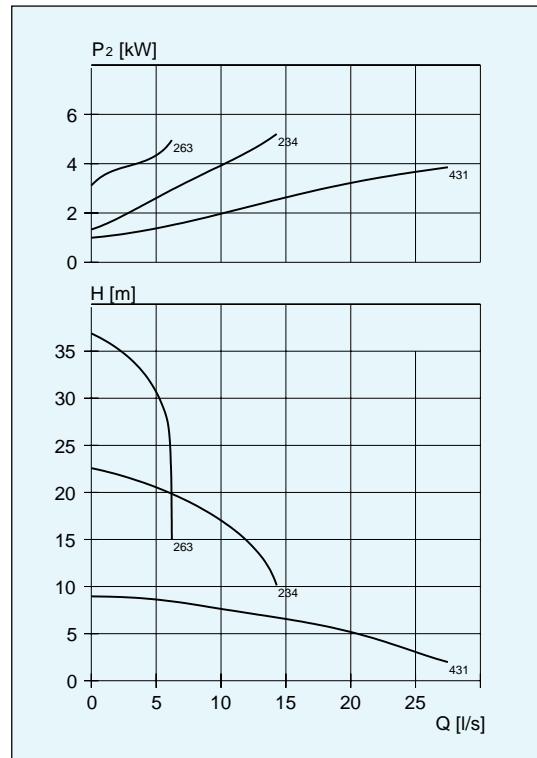
* Single phase

D 3080



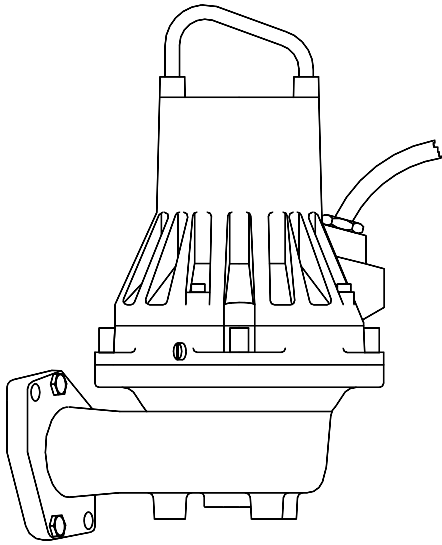
Weight, kg	DP	DS
Aluminium	60	60
Cast iron	100	100

DP/DS



Impeller code	Outlet dia mm DP vers.	Through-let, mm	Motor rating kW		rpm	Available versions
			P ₁	P ₂		
263	75	46	7.3	5.5	2800	DPDS
234	75	46	7.3	5.5	2800	DPDS
431	100	80	5.8	3.8	1400	DPDS

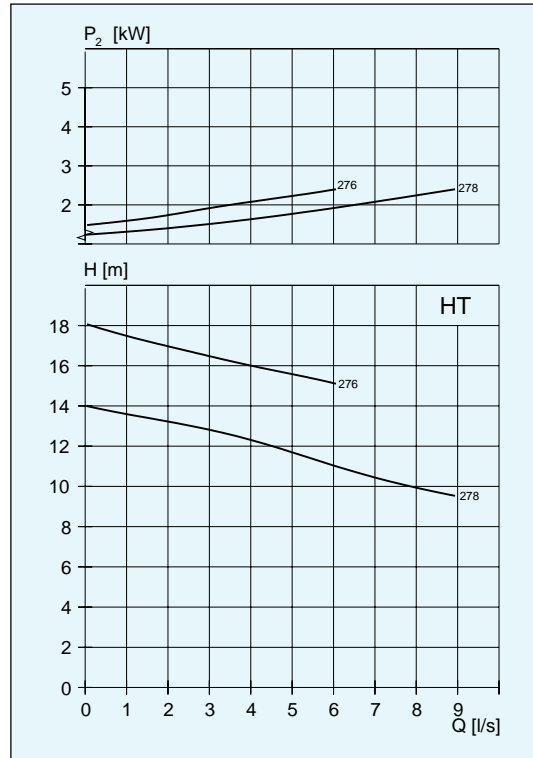
D 3085



Weight, kg	DP	DS
MT	51	55
HT	51	55

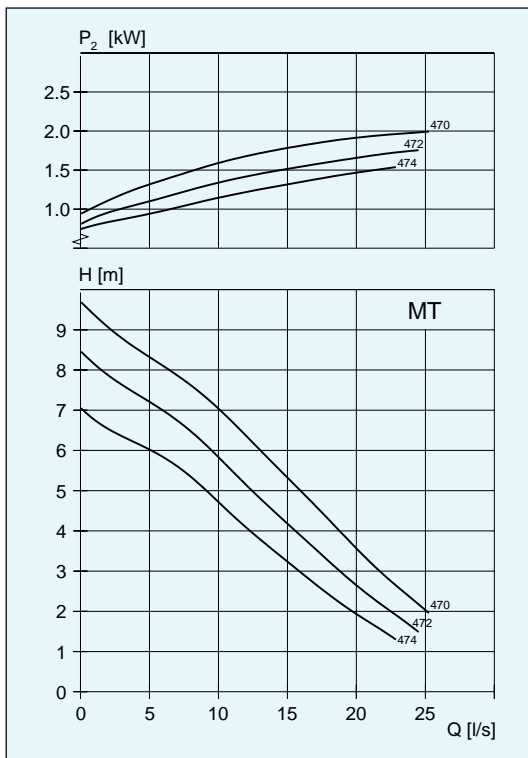
• Can be equipped with flush valve

DP/DS



Impeller code	Outlet dia mm DP vers.	Through-let, mm	Motor rating kW		rpm	Available versions
			P ₁	P ₂		
276	80	∅52	3.0	2.4	2830	DP/DS
278	80	∅52	3.0	2.4	2830	DP/DS

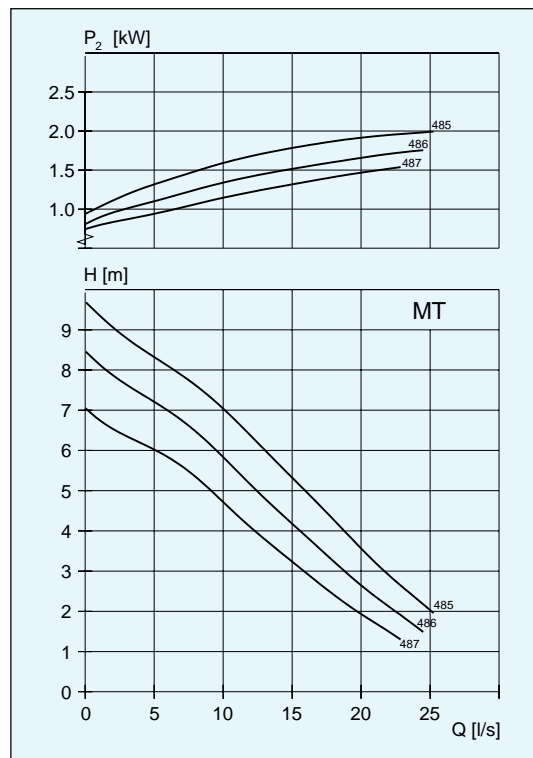
DP/DS



Impeller code	Outlet dia mm DP vers.	Through-let, mm	Motor rating kW		rpm	Available versions
			P ₁	P ₂		
•470	80	∅76	2.7	2.0	1395	DP/DS
•472	80	∅76	2.7	2.0	1395	DP/DS
•474	80	∅76	2.7	2.0	1395	DP/DS
•474*	80	∅76	1.8	1.3	1380	DP/DS
•472**	80	∅76	2.0	1.5	1440	DP/DS
•474**	80	∅76	2.0	1.5	1440	DP/DS

* Single phase

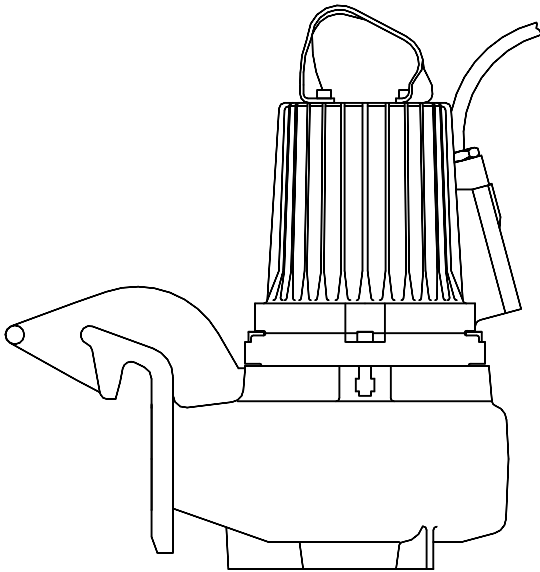
DP/DS Hardened cast iron



Impeller code	Outlet dia mm DP vers.	Through-let, mm	Motor rating kW		rpm	Available versions
			P ₁	P ₂		
•485	80	∅76	2.7	2.0	1395	DP/DS
•486	80	∅76	2.7	2.0	1395	DP/DS
•487	80	∅76	2.7	2.0	1395	DP/DS
•487*	80	∅76	1.8	1.3	1380	DP/DS
•486**	80	∅76	2.0	1.5	1440	DP/DS
•487**	80	∅76	2.0	1.5	1440	DP/DS

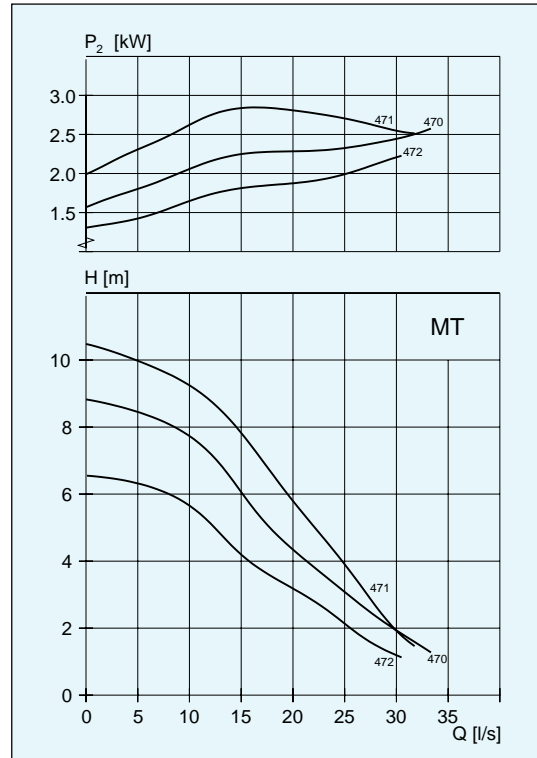
* Single phase

D 3102



Weight, kg	DP
MT	105
HT	81

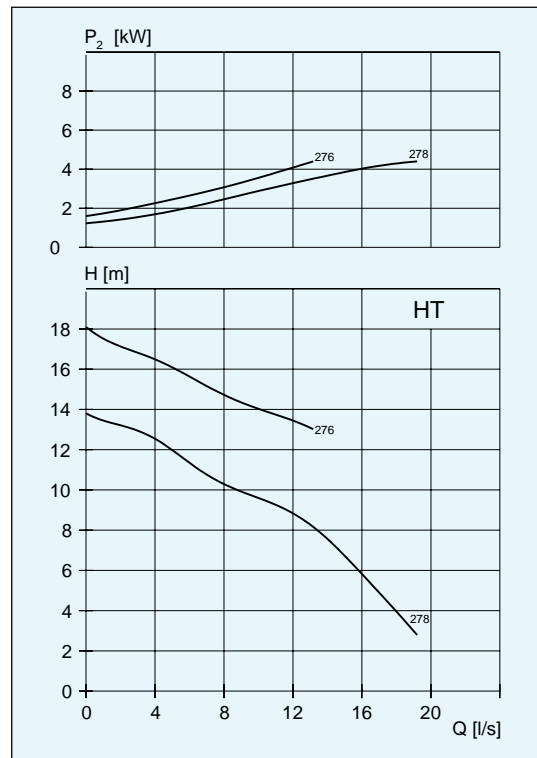
DP



Impeller code	Outlet dia mm DP vers.	Through-let, mm	Motor rating kW		rpm	Available versions
			P ₁	P ₂		
VV=470	80	∅ 100	3.8	3.1	1435	DP
VV=471	80	∅ 100	3.8	3.1	1435	DP
VV=472	80	∅ 100	3.8	3.1	1435	DP

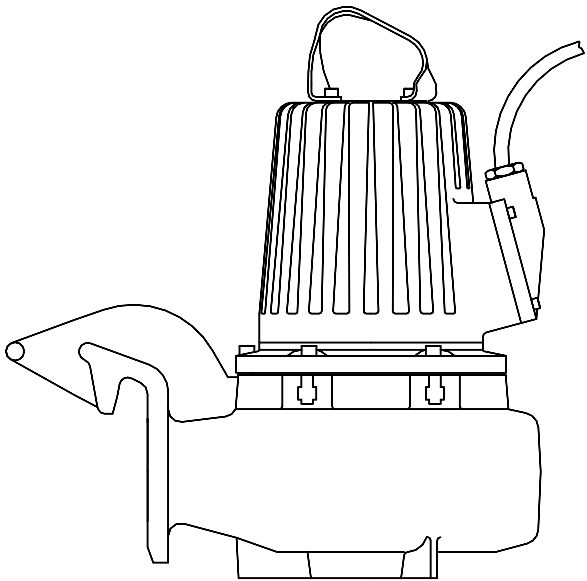
• Can be equipped with flush valve

DP



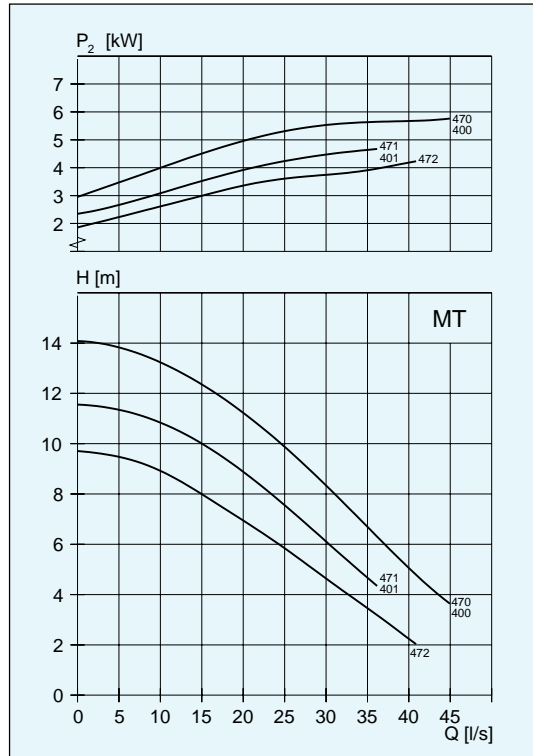
Impeller code	Outlet dia mm DP vers.	Through-let, mm	Motor rating kW		rpm	Available versions
			P ₁	P ₂		
276	80	∅ 52	5.4	4.4	2870	DP
278	80	∅ 52	5.4	4.4	2870	DP

D 3127



Weight, kg	DP
MT	127
HT	140

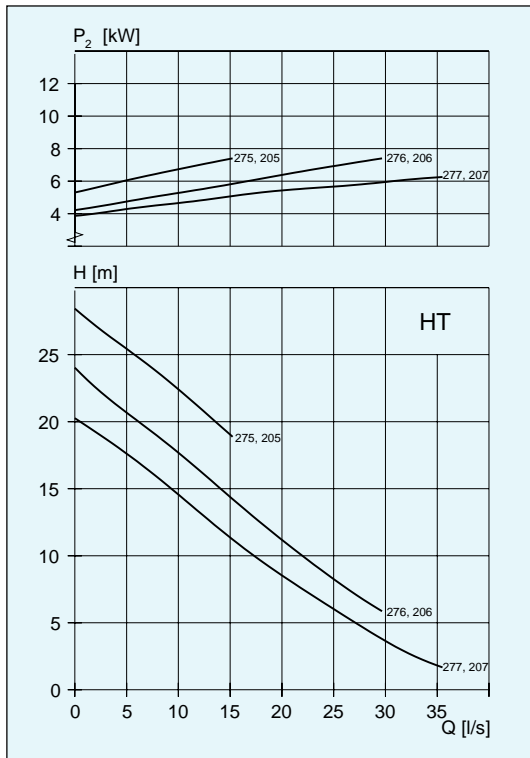
DP



Impeller code	Outlet dia mm DP vers.	Through-let, mm	Motor rating kW		rpm	Available versions
			P ₁	P ₂		
W•400*	100	∅100	7.1	5.9	1450	DP
W•401*	100	∅100	7.1	5.9	1450	DP
•401*	100	∅100	5.7	4.7	1460	DP
W•470	100	∅100	7.1	5.9	1450	DP
W•471	100	∅100	7.1	5.9	1450	DP
•471	100	∅100	5.7	4.7	1460	DP
W•472	100	∅100	7.1	5.9	1450	DP
•472	100	∅100	5.7	4.7	1460	DP

- Can be equipped with flush valve
- * Hardened cast iron

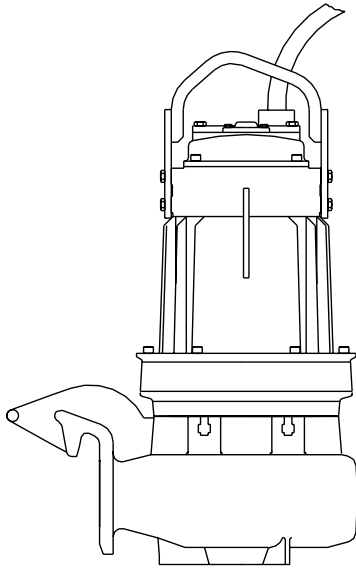
DP



Impeller code	Outlet dia mm DP vers.	Through-let, mm	Motor rating kW		rpm	Available versions
			P ₁	P ₂		
•205*	78	∅76	8.7	7.4	2900	DP
•206*	78	∅76	8.7	7.4	2900	DP
•207*	78	∅76	8.7	7.4	2900	DP
•275	78	∅76	8.7	7.4	2900	DP
•276	78	∅76	8.7	7.4	2900	DP
•277	78	∅76	8.7	7.4	2900	DP

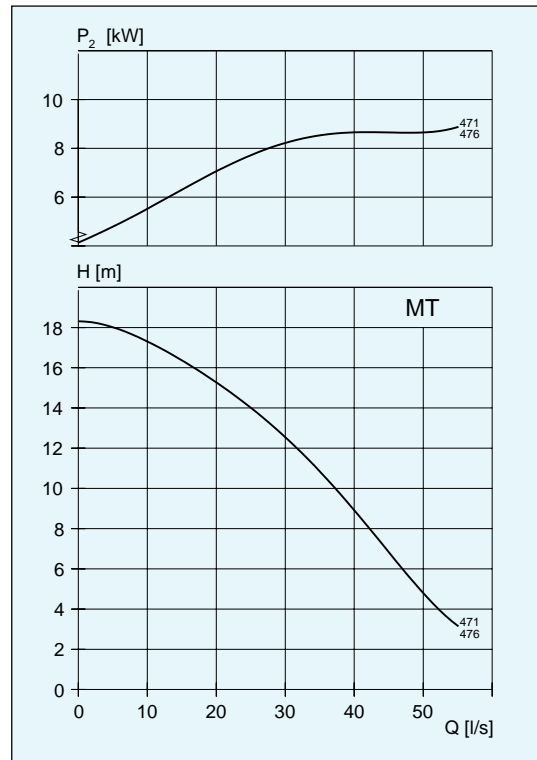
- Can be equipped with flush valve
- * Hardened cast iron

D 3140



Pump type	DP
Weight, kg	216

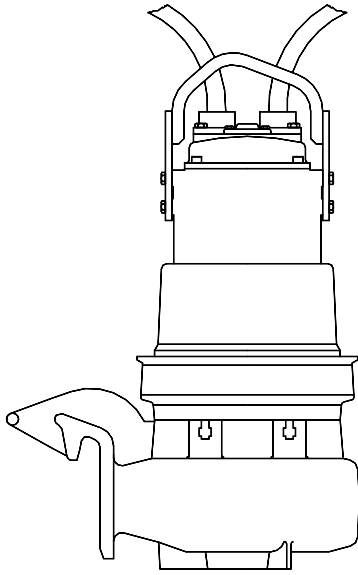
DP



Impeller code	Outlet dia mm DP vers.	Through-let, mm	Motor rating kW		rpm	Available versions
			P ₁	P ₂		
•471	100	∅ 100	10.7	9	1450	DP
•476*	100	∅ 100	10.7	9	1450	DP

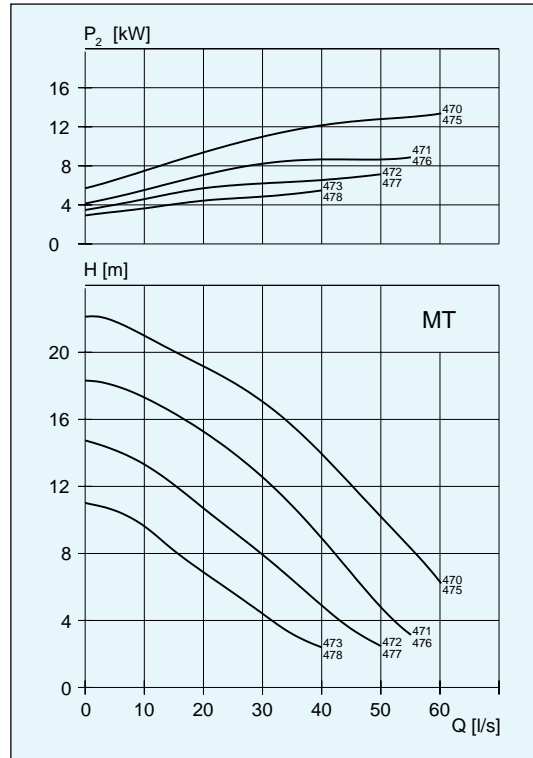
- Can be equipped with flush valve
- * Hardened cast iron

D 3152



Weight, kg	DP
MT	263
HT	255

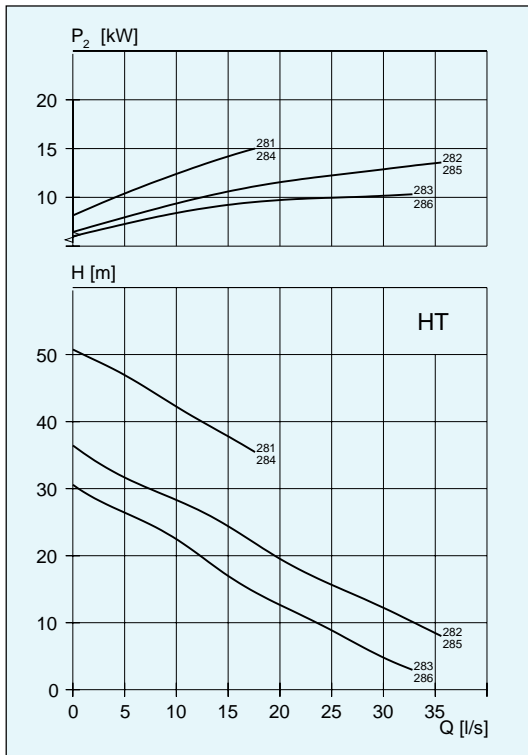
DP



Impeller code	Outlet dia mm DP vers.	Through-let, mm	Motor rating kW		rpm	Available versions
			P ₁	P ₂		
W•470	100	∅100	15.8	13.5	1450	DP
W•471	100	∅100	15.8	13.5	1450	DP
•471	100	∅100	10.7	9	1455	DP
W•472	100	∅100	15.8	13.5	1450	DP
•472	100	∅100	10.7	9	1455	DP
W•473	100	∅100	15.8	13.5	1450	DP
•473	100	∅100	10.7	9	1455	DP
W•475*	100	∅100	15.8	13.5	1450	DP
W•476*	100	∅100	15.8	13.5	1450	DP
•476*	100	∅100	10.7	9	1455	DP
•477*	100	∅100	10.7	9	1455	DP
•478*	100	∅100	10.7	9	1455	DP

• Can be equipped with flush valve
* Hardened cast iron

DP



Impeller code	Outlet dia mm DP vers.	Through-let, mm	Motor rating kW		rpm	Available versions
			P ₁	P ₂		
•281	80	∅58	17.0	15.0	2920	DP
•282	80	∅58	17.0	15.0	2920	DP
•283	80	∅58	17.0	15.0	2920	DP
•284*	80	∅58	17.0	15.0	2920	DP
•285*	80	∅58	17.0	15.0	2920	DP
•286*	80	∅58	17.0	15.0	2920	DP

• Can be equipped with flush valve
* Hardened cast iron