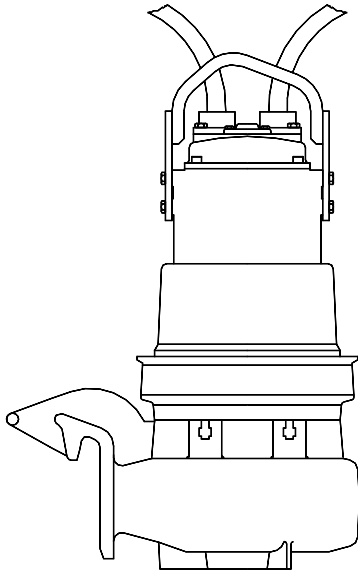
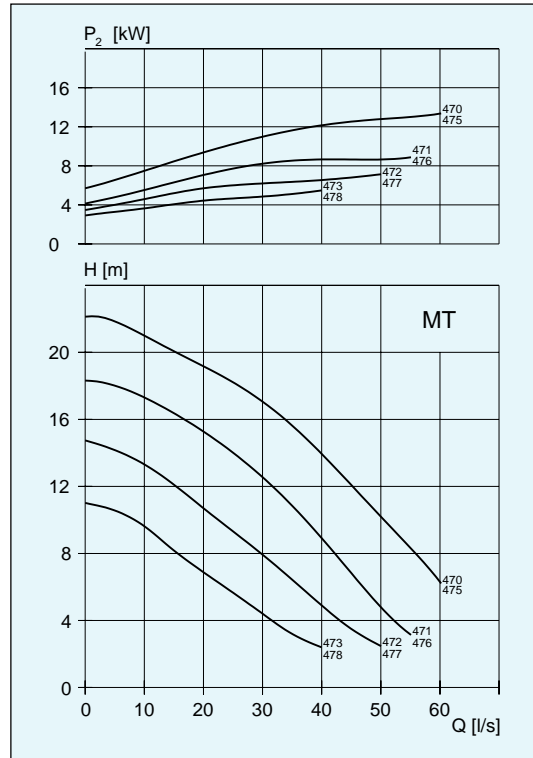


D 3152



Weight, kg	DP
MT	263
HT	255

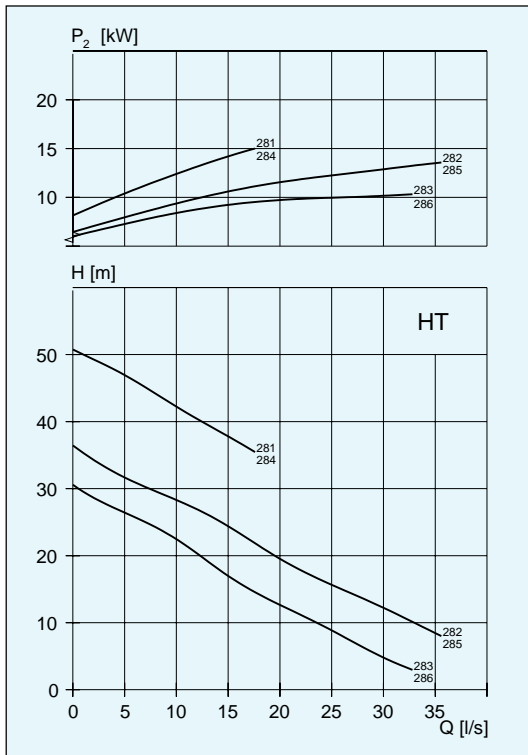
DP



Impeller code	Outlet dia mm DP vers.	Through-let, mm	Motor rating kW		rpm	Available versions
			P ₁	P ₂		
W•470	100	∅100	15.8	13.5	1450	DP
W•471	100	∅100	15.8	13.5	1450	DP
•471	100	∅100	10.7	9	1455	DP
W•472	100	∅100	15.8	13.5	1450	DP
•472	100	∅100	10.7	9	1455	DP
W•473	100	∅100	15.8	13.5	1450	DP
•473	100	∅100	10.7	9	1455	DP
W•475*	100	∅100	15.8	13.5	1450	DP
W•476*	100	∅100	15.8	13.5	1450	DP
•476*	100	∅100	10.7	9	1455	DP
•477*	100	∅100	10.7	9	1455	DP
•478*	100	∅100	10.7	9	1455	DP

• Can be equipped with flush valve
* Hardened cast iron

DP



Impeller code	Outlet dia mm DP vers.	Through-let, mm	Motor rating kW		rpm	Available versions
			P ₁	P ₂		
•281	80	∅58	17.0	15.0	2920	DP
•282	80	∅58	17.0	15.0	2920	DP
•283	80	∅58	17.0	15.0	2920	DP
•284*	80	∅58	17.0	15.0	2920	DP
•285*	80	∅58	17.0	15.0	2920	DP
•286*	80	∅58	17.0	15.0	2920	DP

• Can be equipped with flush valve
* Hardened cast iron