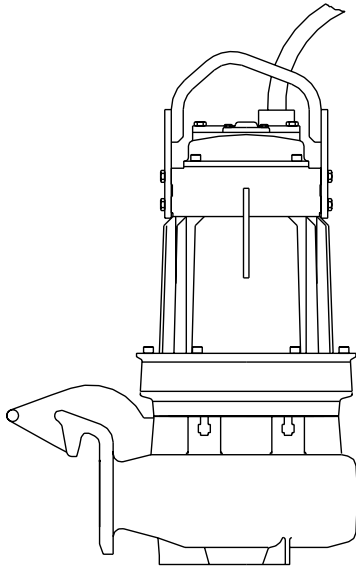
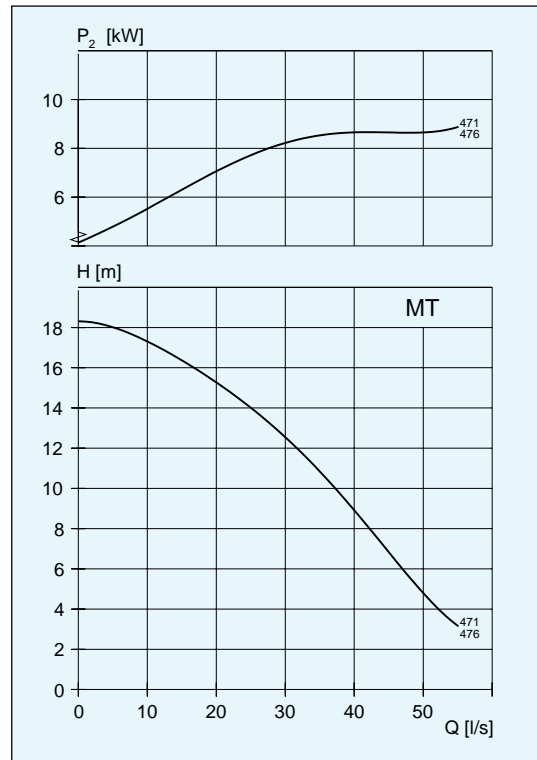


D 3140



Pump type	DP
Weight, kg	216

DP



Impeller code	Outlet dia mm DP vers.	Through-let, mm	Motor rating kW		rpm	Available versions
			P_1	P_2		
•471	100	∅ 100	10.7	9	1450	DP
•476*	100	∅ 100	10.7	9	1450	DP

- Can be equipped with flush valve
- * Hardened cast iron