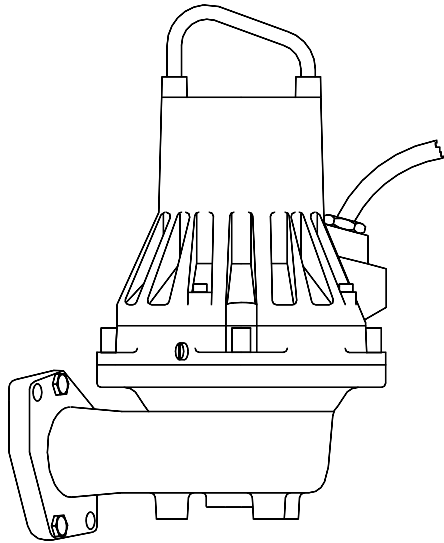


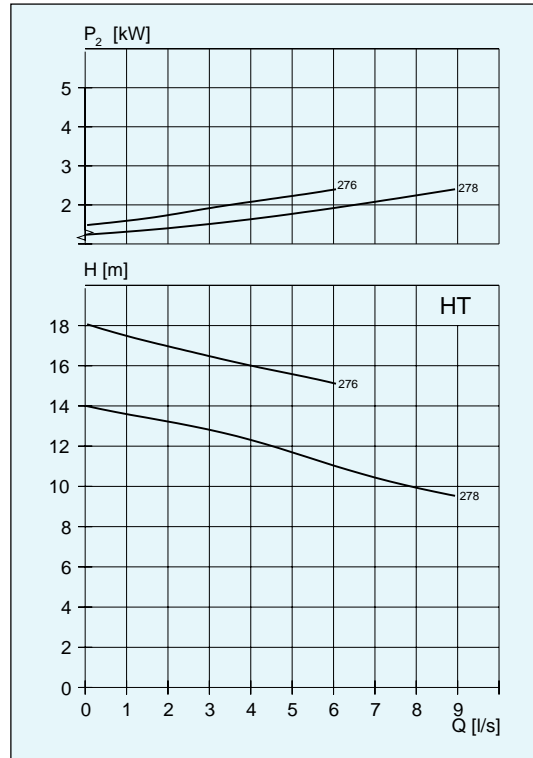
# D 3085



Weight, kg	DP	DS
MT	51	55
HT	51	55

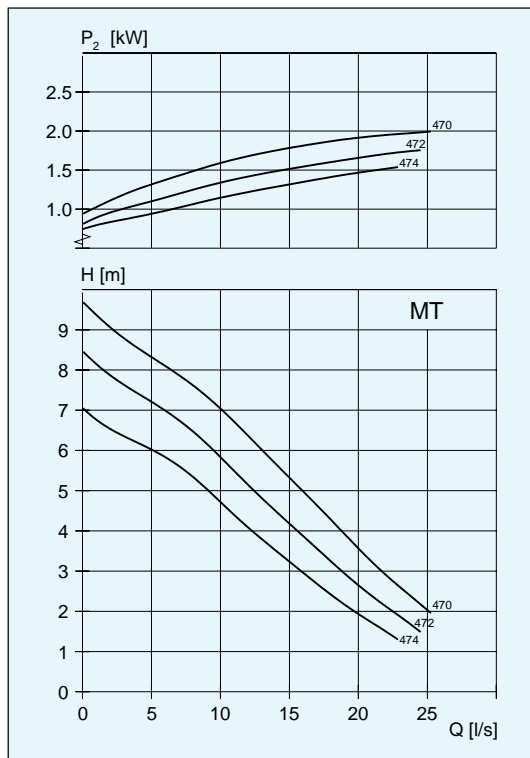
• Can be equipped with flush valve

## DP/DS



Impeller code	Outlet dia mm DP vers.	Through-let, mm	Motor rating kW		rpm	Available versions
			P <sub>1</sub>	P <sub>2</sub>		
276	80	∅52	3.0	2.4	2830	DP/DS
278	80	∅52	3.0	2.4	2830	DP/DS

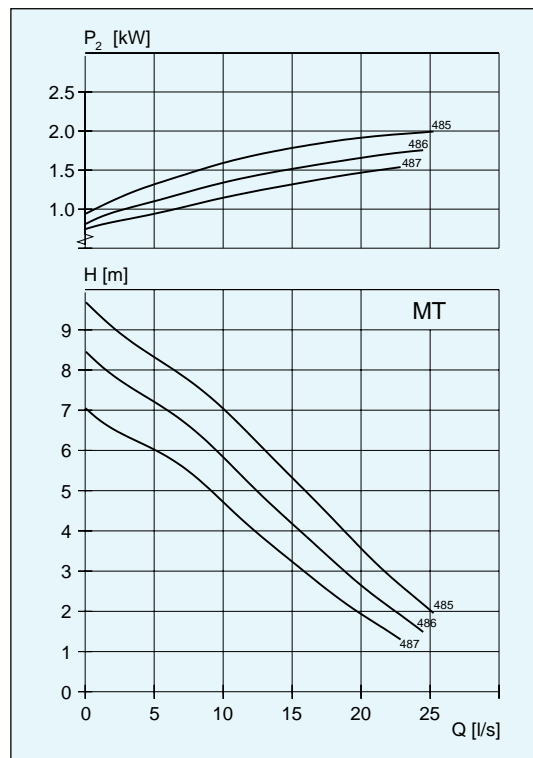
## DP/DS



Impeller code	Outlet dia mm DP vers.	Through-let, mm	Motor rating kW		rpm	Available versions
			P <sub>1</sub>	P <sub>2</sub>		
• 470	80	∅76	2.7	2.0	1395	DP/DS
• 472	80	∅76	2.7	2.0	1395	DP/DS
• 474	80	∅76	2.7	2.0	1395	DP/DS
• 474*	80	∅76	1.8	1.3	1380	DP/DS
• 472**	80	∅76	2.0	1.5	1440	DP/DS
• 474**	80	∅76	2.0	1.5	1440	DP/DS

\* Single phase

## DP/DS Hardened cast iron



Impeller code	Outlet dia mm DP vers.	Through-let, mm	Motor rating kW		rpm	Available versions
			P <sub>1</sub>	P <sub>2</sub>		
• 485	80	∅76	2.7	2.0	1395	DP/DS
• 486	80	∅76	2.7	2.0	1395	DP/DS
• 487	80	∅76	2.7	2.0	1395	DP/DS
• 487*	80	∅76	1.8	1.3	1380	DP/DS
• 486*	80	∅76	2.0	1.5	1440	DP/DS
• 487*	80	∅76	2.0	1.5	1440	DP/DS

\* Single phase