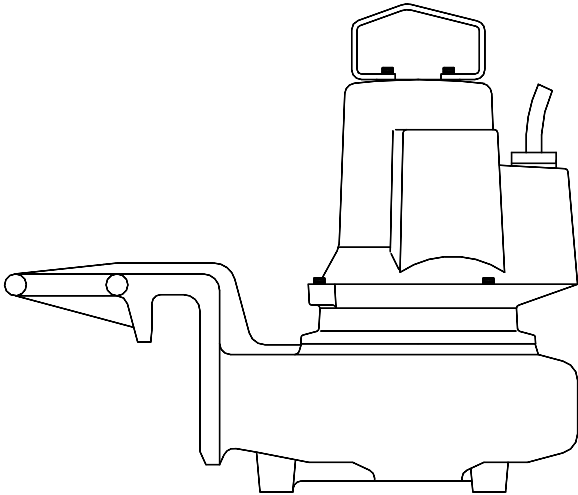
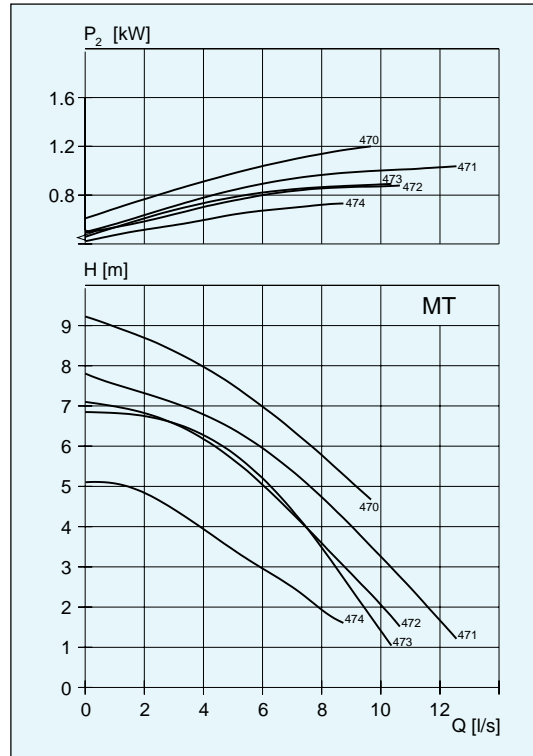


# D 3067



Pump type	DP	DS	DF
Weight, kg	41	49	47

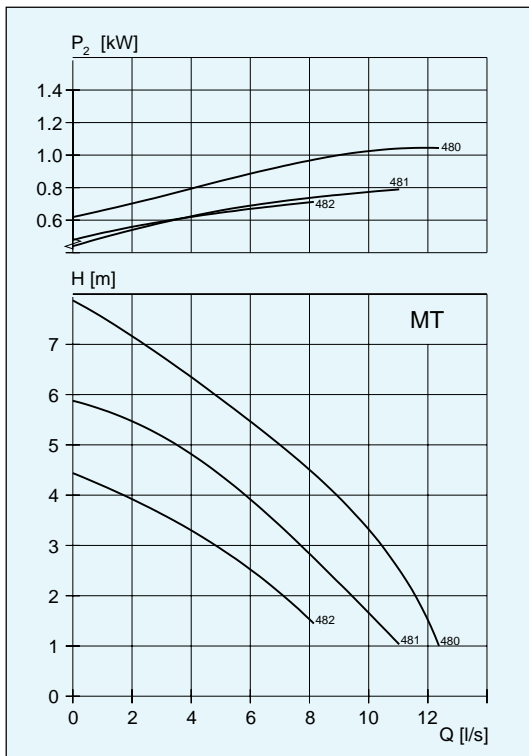
## DP/DS/DF



Impeller code	Outlet dia mm DP vers.	Through-let, mm	Motor rating kW		rpm	Available versions
			P <sub>1</sub>	P <sub>2</sub>		
W470	65	55 or 65	1.7	1.2	1345	DP/DS/DF
W471	65	55 or 65	1.7	1.2	1345	DP/DS/DF
W472	65	55 or 65	1.7	1.2	1345	DP/DS/DF
W473	65	55 or 65	1.7	1.2	1345	DP/DS/DF
W474	65	55 or 65	1.7	1.2	1345	DP/DS/DF
473*	65	55 or 65	1.3	0.8	1375	DP/DS/DF

\* Single phase

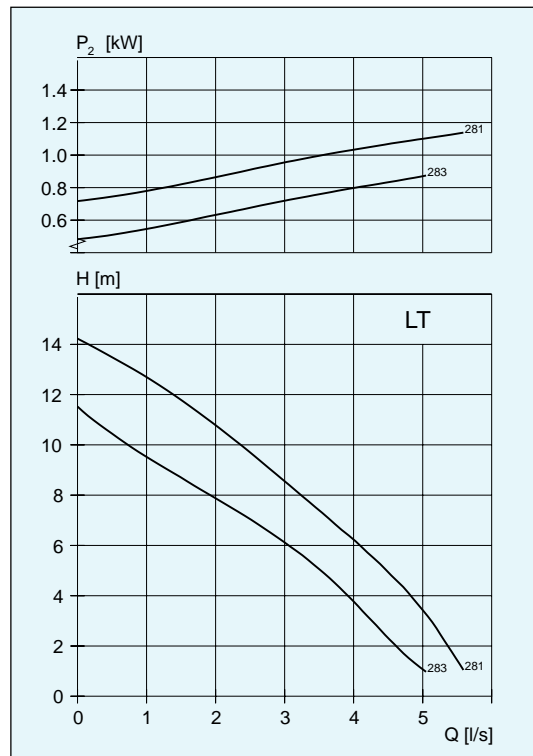
## DP/DS/DF



Impeller code	Outlet dia mm DP vers.	Through-let, mm	Motor rating kW		rpm	Available versions
			P <sub>1</sub>	P <sub>2</sub>		
W480	65	55 or 65	1.7	1.2	1345	DP/DS/DF
W481	65	55 or 65	1.7	1.2	1345	DP/DS/DF
W482	65	55 or 65	1.7	1.2	1345	DP/DS/DF
481*	65	55 or 65	1.3	0.8	1375	DP/DS/DF

\* Single phase

## DP/DS



Impeller code	Outlet dia mm DP vers.	Through-let, mm	Motor rating kW		rpm	Available versions
			P <sub>1</sub>	P <sub>2</sub>		
W281	50	∅ 30	1.5	1.2	2770	DP/DS
W283	50	∅ 30	1.5	1.2	2820	DP/DS
283*	50	∅ 30	1.3	0.9	2815	DP/DS

\* Single phase