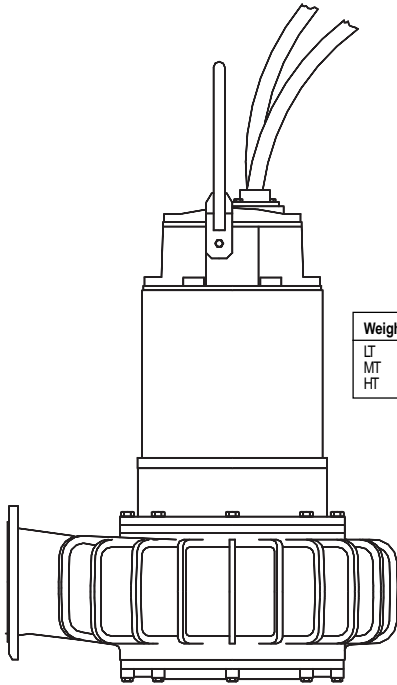
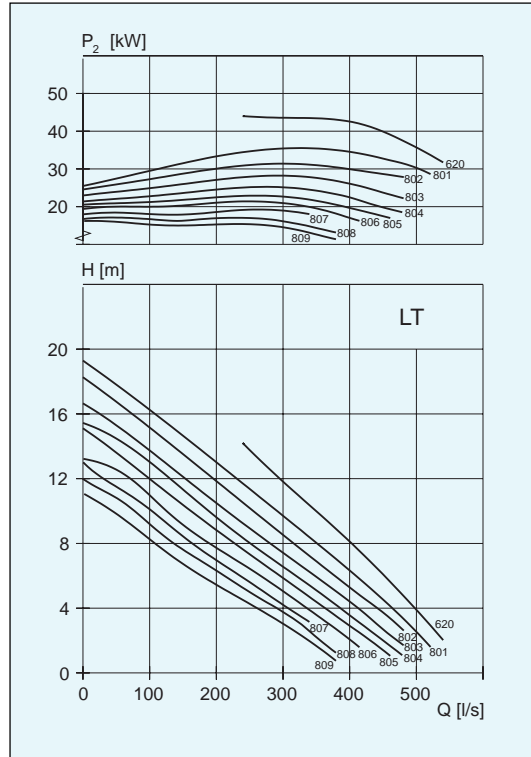


C 3300



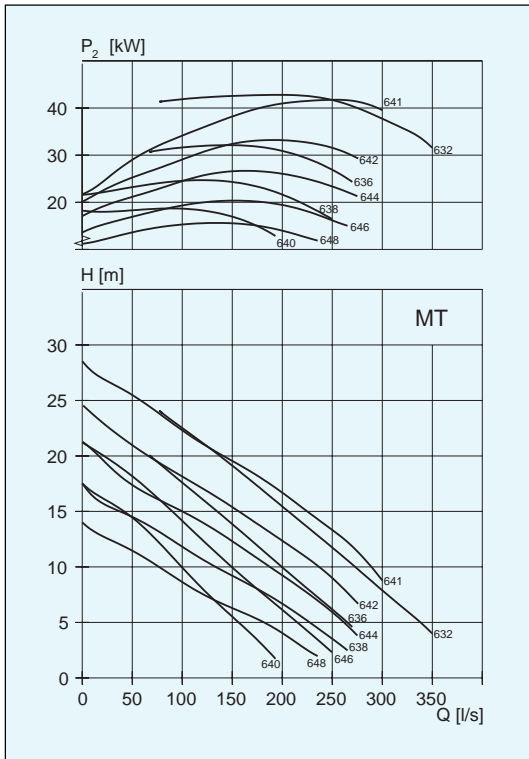
Weight, kg	CP	CS	CT/CZ
LT	1060	1175	1308
MT	1075	1188	1321
HT	900	963	1022

CP/CS/CT/CZ



Impeller code	No. of vanes	Outlet dia mm CP vers.	Through-let, mm	Motor rating kW		rpm	Available versions
				P ₁	P ₂		
• 801-809	3	350	102 x 102	43	37	730	CP/CS/CT/CZ
• 804-809	3	350	102 x 102	31	27	730	CP/CS/CT/CZ
• 620	3	350	102 x 102	50	44	975	CP/CS/CT/CZ

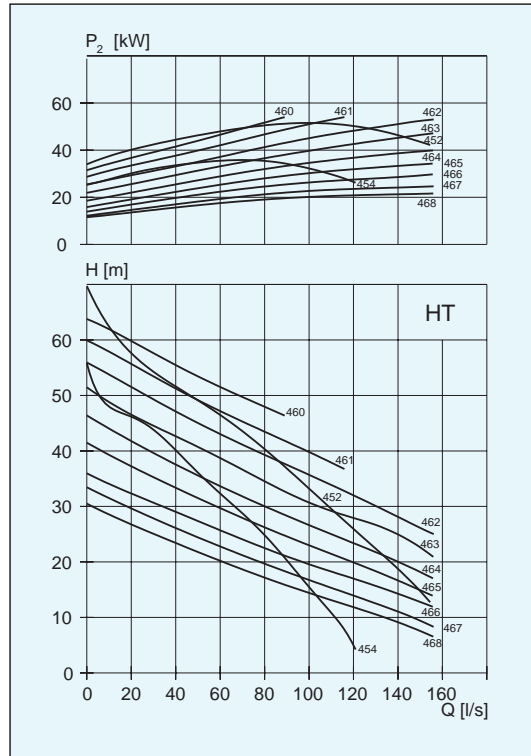
CP/CS/CT/CZ



Impeller code	No. of vanes	Outlet dia mm CP vers.	Through-let, mm	Motor rating kW		rpm	Available versions
				P ₁	P ₂		
• 632	1	300	∅ 190	50	44	975	CP/CS/CT/CZ
• 636	1	300	176 x 100	50	44	975	CP/CS/CT/CZ
• 636	1	300	176 x 180	39	34	975	CP/CS/CT/CZ
• 638	1	300	150 x 100	50	44	975	CP/CS/CT/CZ
• 638	1	300	150 x 180	39	34	975	CP/CS/CT/CZ
• 640	1	300	134 x 100	50	44	975	CP/CS/CT/CZ
• 640	1	300	134 x 180	39	34	975	CP/CS/CT/CZ
• 641	2	300	100 x 100	50	44	975	CP/CS/CT/CZ
• 642	2	300	100 x 100	50	44	975	CP/CS/CT/CZ
• 642	2	300	100 x 100	39	34	975	CP/CS/CT/CZ
• 644	2	300	100 x 100	50	44	975	CP/CS/CT/CZ
• 644	2	300	100 x 100	39	34	975	CP/CS/CT/CZ
• 646	2	300	100 x 100	50	44	975	CP/CS/CT/CZ
• 646	2	300	100 x 100	39	34	975	CP/CS/CT/CZ
• 648	2	300	100 x 100	50	44	975	CP/CS/CT/CZ
• 648	2	300	100 x 100	39	34	975	CP/CS/CT/CZ

CP/CS/CT/CZ

• Can be equipped with flush valve



Impeller code	No. of vanes	Outlet dia mm CP vers.	Through-let, mm	Motor rating kW		rpm	Available versions
				P ₁	P ₂		
• 452	1	200	90 x 96	60	54	1475	CP/CS/CT/CZ
• 454	1	200	76 x 90	60	54	1475	CP/CS/CT/CZ
• 454	1	200	76 x 90	45	40	1475	CP/CS/CT/CZ
• 460-463	2	200	76 x 76	60	54	1475	CP/CS/CT/CZ
• 464-468	2	200	76 x 76	60	54	1475	CP/CS/CT/CZ
• 464-468	2	200	76 x 76	45	40	1475	CP/CS/CT/CZ