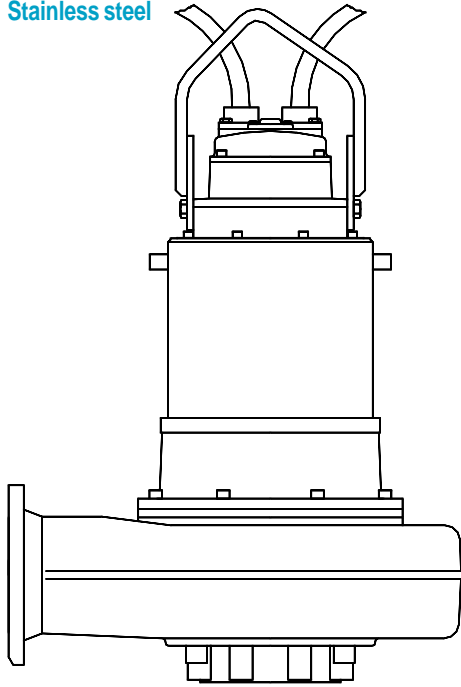


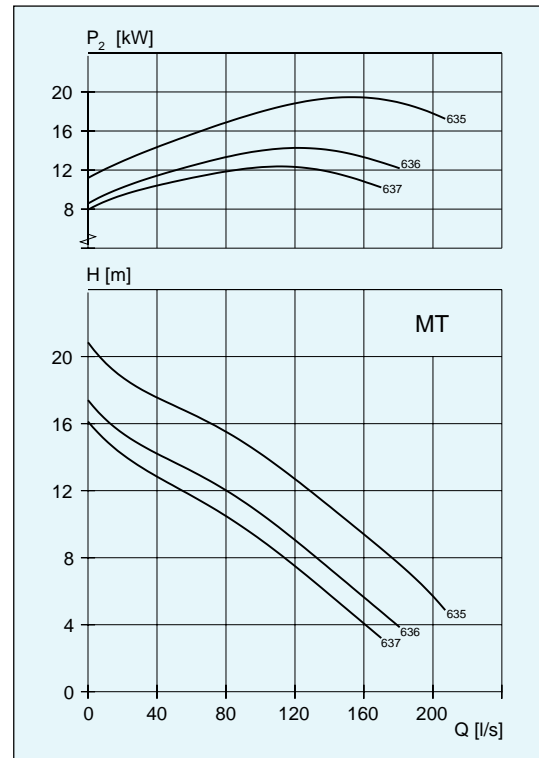
C 3201

Stainless steel



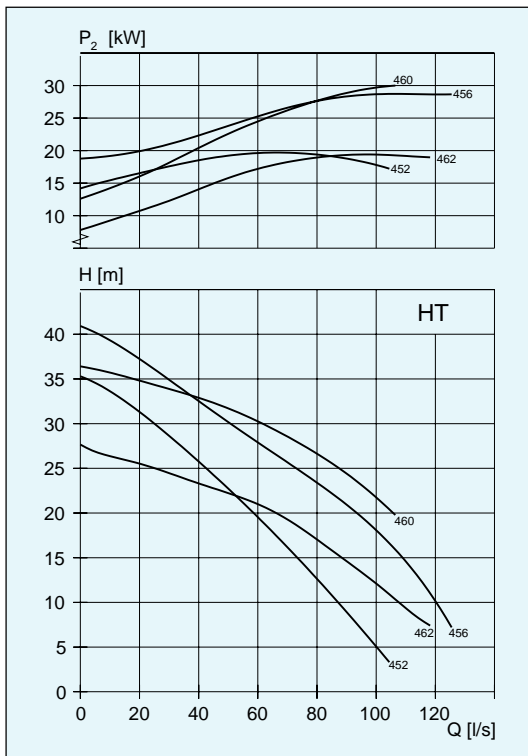
Weight, kg	CP	CS	CT	CZ
HT	560	510	675	675
MT	550	500	580	580

CP/CS/CT/CZ



Impeller code	No. of channels	Outlet dia mm CP vers.	Through-let, mm	Motor rating kW		rpm	Available versions
				P ₁	P ₂		
W635	2	250	102 x 84	25	22	970	CP/CS/CT/CZ
W636	2	250	102 x 84	25	22	970	CP/CS/CT/CZ
W637	2	250	102 x 84	25	22	970	CP/CS/CT/CZ

CP/CS/CT/CZ



Impeller code	No. of channels	Outlet dia mm CP vers.	Through-let, mm	Motor rating kW		rpm	Available versions
				P ₁	P ₂		
W452	1	200	77 x 77	34	30	1455	CP/CS/CT/CZ
452	1	200	77 x 77	25	22	1460	CP/CS/CT/CZ
456	1	200	∅ 100	34	30	1455	CP/CS/CT/CZ
460	3	200	59 x 65	34	30	1455	CP/CS/CT/CZ
W462	3	200	59 x 65	34	30	1455	CP/CS/CT/CZ
462	3	200	59 x 65	25	22	1460	CP/CS/CT/CZ