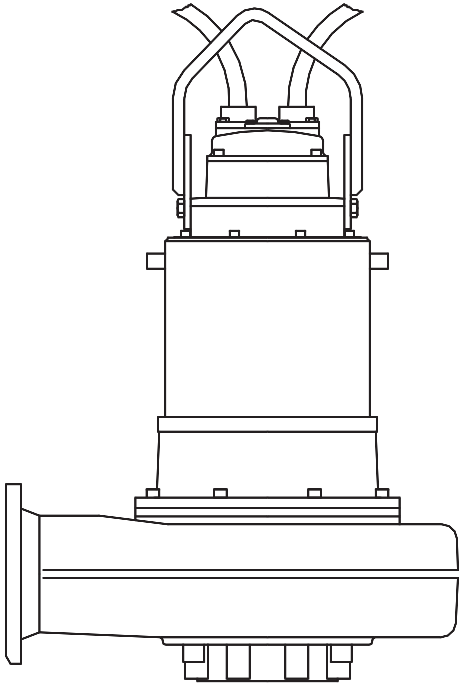


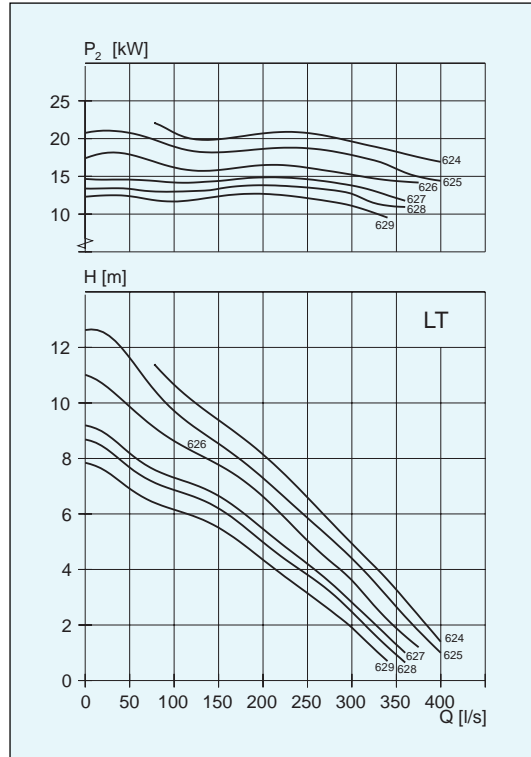
C 3201



Weight, kg (with cooling jacket)	CP	CS	CT/CZ
LT	671	786	917
MT	570	598	635
HT	525	535	530

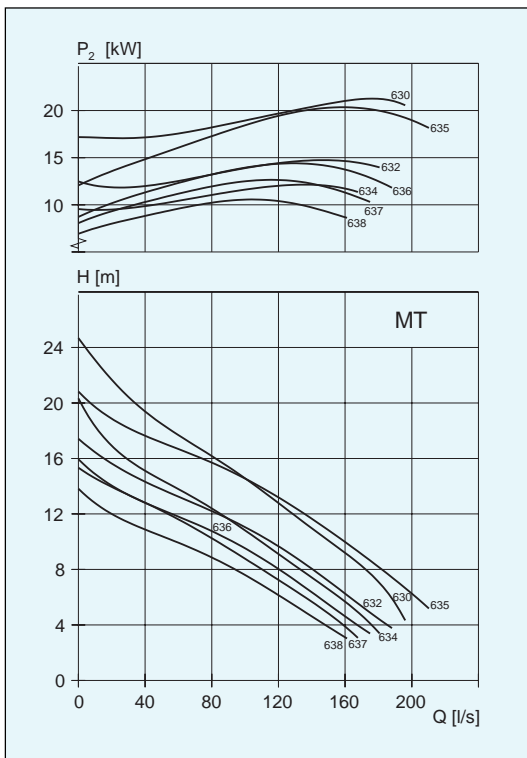
• Can be equipped with flush valve

CP/CT/CS



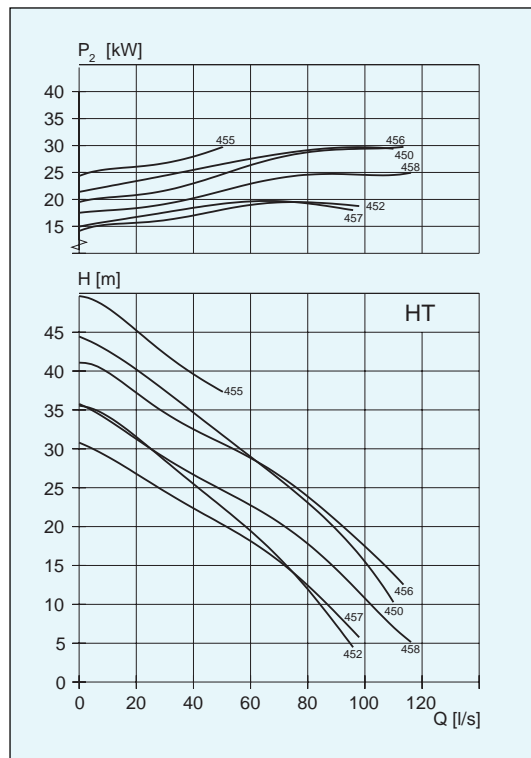
Impeller code	No. of vanes	Outlet dia mm CP vers.	Through-let, mm	Motor rating kW		rpm	Available versions
				P ₁	P ₂		
W•624	3	300/350	102 x 102	25	22	970	CP/CS/CT/CZ
W•625	3	300/350	102 x 102	25	22	970	CP/CS/CT/CZ
W•626	3	300/350	102 x 102	25	22	970	CP/CS/CT/CZ
W•627	3	300/350	102 x 102	25	22	970	CP/CS/CT/CZ
W•628	3	300/350	102 x 102	25	22	970	CP/CS/CT/CZ
W•629	3	300/350	102 x 102	25	22	970	CP/CS/CT/CZ

CP/CS/CT/CZ



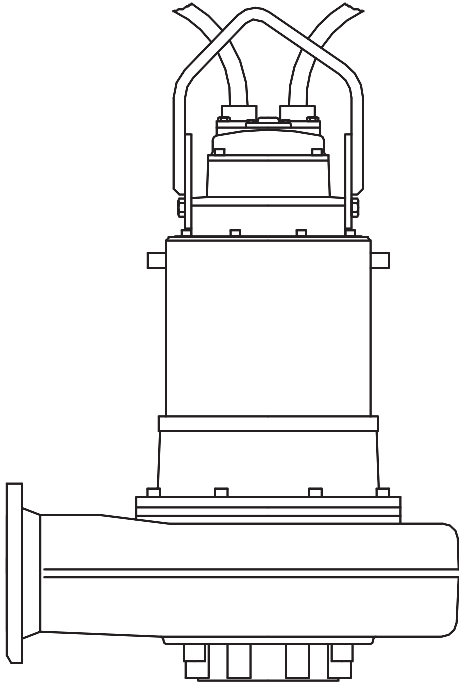
Impeller code	No. of vanes	Outlet dia mm CP vers.	Through-let, mm	Motor rating kW		rpm	Available versions
				P ₁	P ₂		
W•630	1	250	144 x 120	25	22	970	CP/CS/CT/CZ
W•632	1	250	144 x 120	25	22	970	CP/CS/CT/CZ
W•634	1	250	144 x 120	25	22	970	CP/CS/CT/CZ
W•635	2	250	102 x 84	25	22	970	CP/CS/CT/CZ
W•636	2	250	102 x 84	25	22	970	CP/CS/CT/CZ
W•637	2	250	102 x 84	25	22	970	CP/CS/CT/CZ
W•638	2	250	102 x 84	25	22	970	CP/CS/CT/CZ

CP/CS/CT/CZ



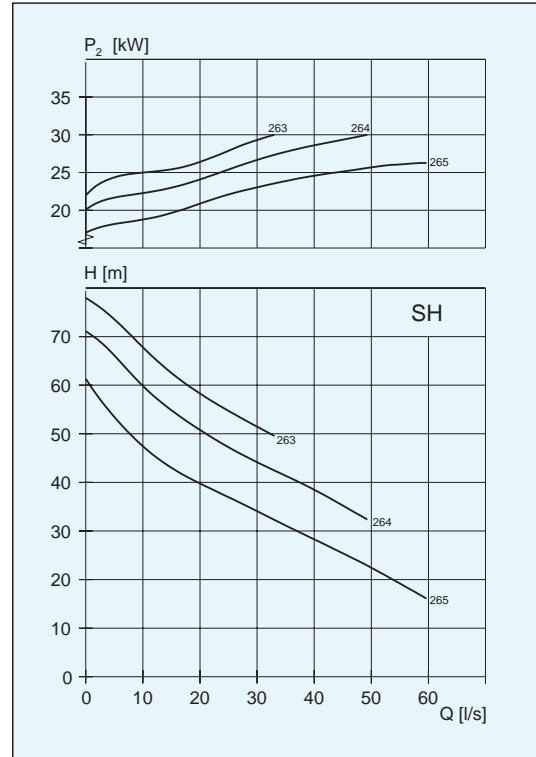
Impeller code	No. of vanes	Outlet dia mm CP vers.	Through-let, mm	Motor rating kW		rpm	Available versions
				P ₁	P ₂		
•450	1	200	77 x 80	34	30	1455	CP/CS/CT/CZ
W•452	1	200	77 x 77	34	30	1455	CP/CS/CT/CZ
•452	1	200	77 x 77	25	22	1460	CP/CS/CT/CZ
•455	1	200	∅ 100	34	30	1455	CP/CS/CT/CZ
•456	1	200	∅ 100	34	30	1455	CP/CS/CT/CZ
W•457	1	200	∅ 100	34	30	1455	CP/CS/CT/CZ
•457	1	200	∅ 100	25	22	1460	CP/CS/CT/CZ
W•458	1	200	∅ 100	34	30	1455	CP/CS/CT/CZ
•458	1	200	∅ 100	25	22	1460	CP/CS/CT/CZ

C 3201 SH



Weight, kg (with cooling jacket)	CP	CS	CT/CZ
SH	490	489	538

CP/CS/CT/CZ



Impeller code	No. of vanes	Outlet dia mm CP vers.	Through-let, mm	Motor rating kW		rpm	Available versions
				P_1	P_2		
•263 *	1	100	∅76	34	30	2300	CP/CS/CT/CZ
•264 *	1	100	∅76	34	30	2300	CP/CS/CT/CZ
•265 ¹⁾	1	100	∅76	34	30	2300	CP/CS/CT/CZ

¹⁾ NPSH_{re} = 11 m at 51 l/s

- Can be equipped with flush valve
- * NEVACLOG