

*Xylem Water Solutions AB (the Company) was previously named ITT Water & Wastewater AB. The name change took place in November 2011. This document is (i) a document that relates to a product of the Company phased out prior to the name change; or (ii) an old version of documentation relating to a product that is still being produced by the Company but which document was published prior to the 1st of January 2012. This document may therefore still be marked "ITT". Xylem Water Solutions AB is no longer an ITT company and the fact that "ITT" may appear on this document shall not be interpreted as a reference by the Company to "ITT" in the Company's current business activities. Any use or reference to "ITT" by you is strictly prohibited. In no event will we be liable for any incidental, indirect, consequential, punitive or special damages of any kind, or any other damages whatsoever, including, without limitation, those resulting from loss of profit, loss of contracts, loss of reputation, goodwill, data, information, income, anticipated savings or business relationships for any use by you of "ITT". This disclaimer notice shall be interpreted and governed by Swedish law, and any disputes in relation to it are subject to the jurisdiction of the courts in Sweden. If you do not agree to these terms and conditions you should not print this document and immediately stop accessing it.*

*End of Disclaimer text.*



# Technical specification

Submersible pump C 3140, 50 Hz



Flygt



ITT Industries



**C 3140**



# C 3140

## Product

Submersible pump for pumping clean water, surface water and waste water containing solids or long-fibred material.

## Denomination

Product code 3140.180  
 Installation P, S  
 Impeller characteristics LT, MT, HT,

## Process data

Liquid temperature max +40 °C  
 Depth of immersion max 20 m  
 The pH of the pumped liquid pH 5,5-14  
 Liquid density max. 1100 kg/m<sup>3</sup>  
 Impeller throughlet See Motor rating table

## Motor data

Frequency 50 Hz  
 Insulation class H (+180 °C)  
 Voltage variation  
 - continuously running max ± 5%  
 - intermittent running max ± 10%  
 Voltage imbalance between phases max 2%  
 No. of starts/hour max 30

## Cable

### Direct-on-line start

SUBCAB® 4G2,5+2x1,5 mm<sup>2</sup>  
 4G4+2x1,5 mm<sup>2</sup>  
 4G6+2x1,5 mm<sup>2</sup>

### Y/D start

SUBCAB® 7G2,5+2x1,5 mm<sup>2</sup>  
 7G4+2x1,5 mm<sup>2</sup>  
 7G6+2x1,5 mm<sup>2</sup>

## Monitoring equipment

Thermal contacts opening temperature 125 °C

## Material

Impeller Cast iron  
 Pump housing Cast iron  
 Stator housing Cast iron  
 Shaft Stainless steel  
 O-rings Nitrile rubber

### Mechanical face seals

Alternative	Inner seal	Outer seal
1	Carbon/Corrosion resistant cemented carbide	Corrosion resistant cemented carbide/ Corrosion resistant cemented carbide
2	Corrosion resistant cemented carbide/ Corrosion resistant cemented carbide	Corrosion resistant cemented carbide/ Corrosion resistant cemented carbide

### Surface Treatment

All cast parts are primed with a water-borne primer. The finishing coat is a high-solid two pack paint.

## Weight

See dimensional drawing.

## Option

3140.090 Ex. proof design  
 3140.980 Industrial design  
 Surface treatment Epoxy treatment  
 Leakage sensor in stator housing FLS  
 Leakage sensor in oil housing CLS  
 Other cables  
 Zinc anodes

## Accessories

Discharge connections, adapters, hose connections and other mechanical accessories.

Electrical accessories such as pump controller, control panels, starters, monitoring relays, cables.

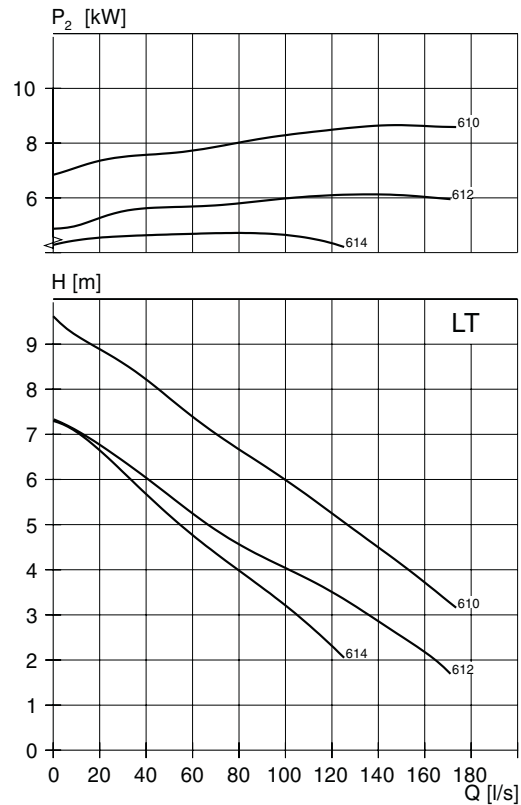
See separate booklet or www.flygt.com, for further information.



### LT-Motor rating and performance curve

Curve/Impeller No	Rated power, kW	Rated current, A	Starting current, A	Power factor cos φ	Impeller thoughtlet, mm	Ex proof version available	Installation			
							P	S		
400 V, 50 Hz, 3 ~, 955 r/min										
610	8,8	18	87	0,87	102	•	•	•		
612	8,8	18	87	0,87	102	•	•	•		
614	8,8	18	87	0,87	82	•	•	•		

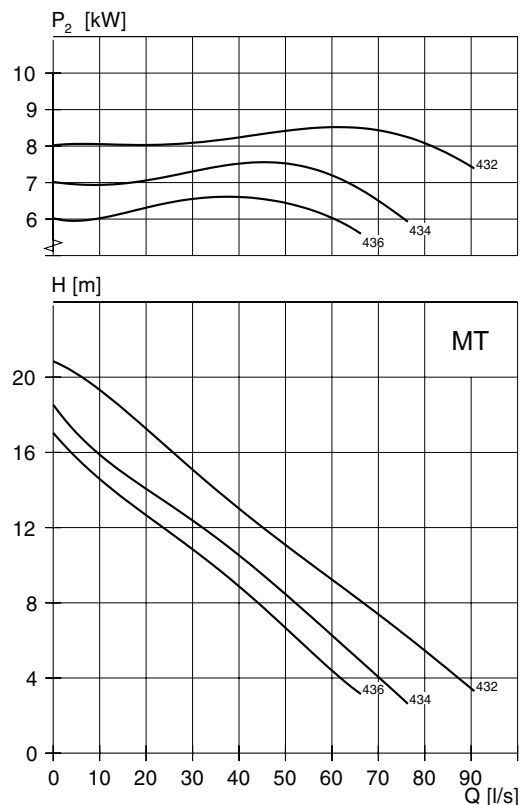
Y/D starting current is approximately 1/3 of D starting current.



### MT-Motor rating and performance curve

Curve/Impeller No	Rated power, kW	Rated current, A	Starting current, A	Power factor cos φ	Impeller thoughtlet, mm	Ex proof version available	Installation			
							P	S		
400 V, 50 Hz, 3 ~, 1455 r/min										
432	9,0	19	116	0,81	102	•	•	•		
434	9,0	19	116	0,81	102	•	•	•		
436	9,0	19	116	0,81	93	•	•	•		

Y/D starting current is approximately 1/3 of D starting current.

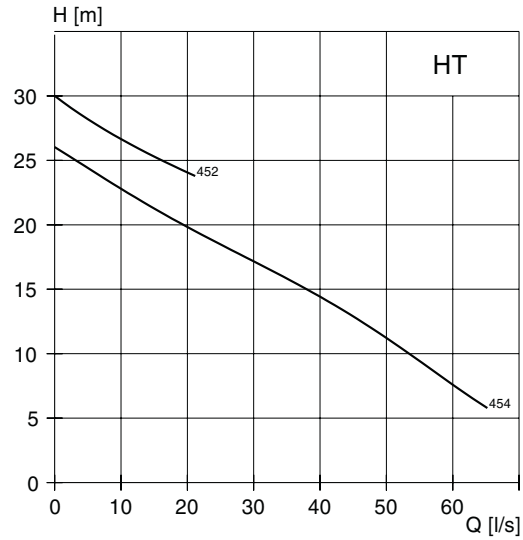
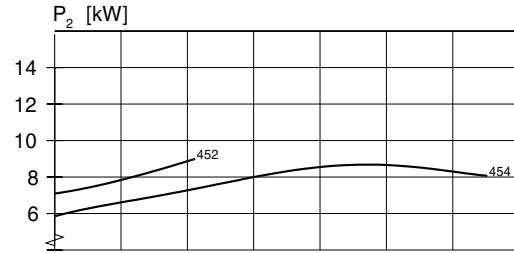




### HT-Motor rating and performance curve

Curve/Impeller No	Rated power, kW	Rated current, A	Starting current, A	Power factor cos φ	Impeller thoughtlet, mm	Ex proof version available	Installation				
							P	S			
400 V, 50 Hz, 3 ~, 1455 r/min											
452	9,0	19	116	0,81	76	•	•	•			
454	9,0	19	116	0,81	76	•	•	•			

Y/D starting current is approximately 1/3 of D starting current.



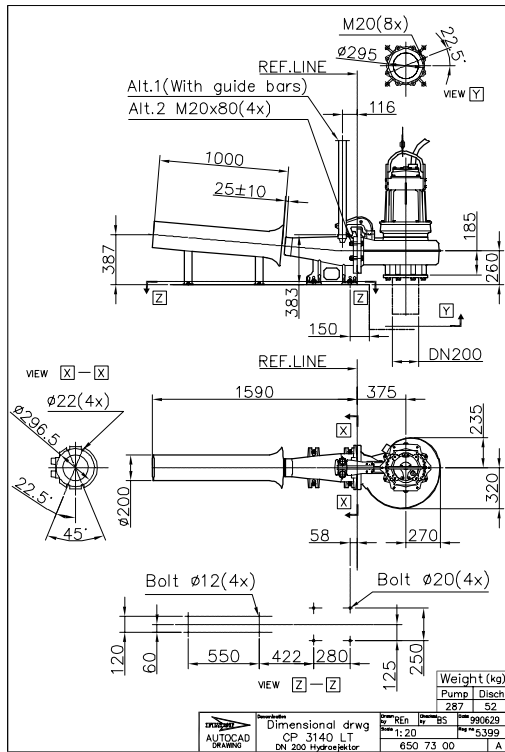


### Dimensional drawing

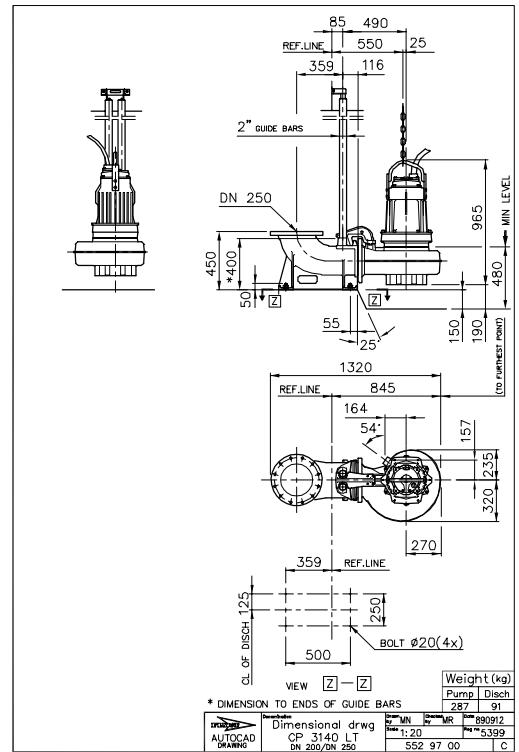
All drawings are available as Acrobat documents (.pdf) and AutoCad drawings (.dwg). Download the drawings from www.flygt.com or contact your ITT Flygt representative for more information.

All dimensions are in mm.

#### LT, P-installation



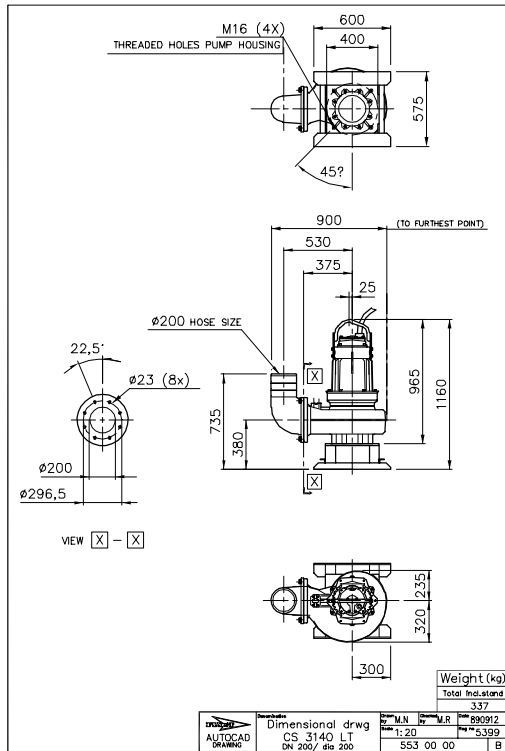
#### LT, P-installation



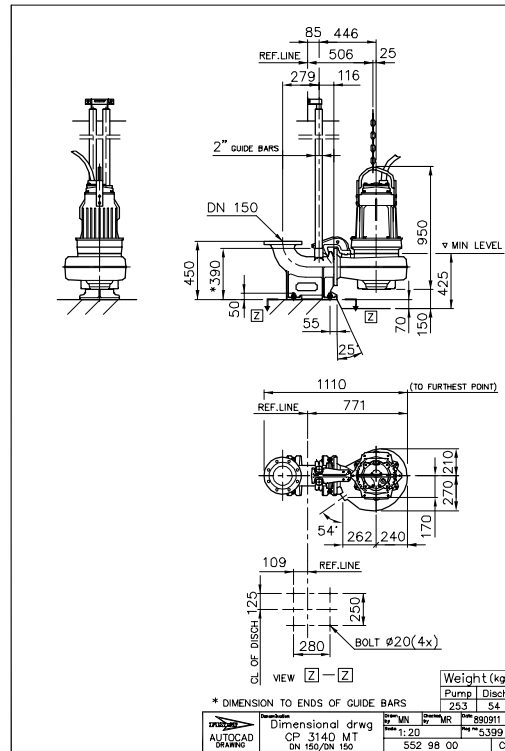


C 3140

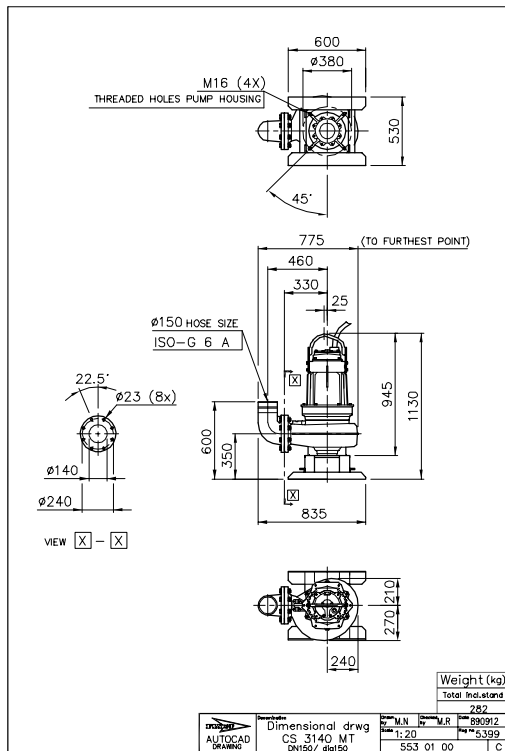
LT, S-installation



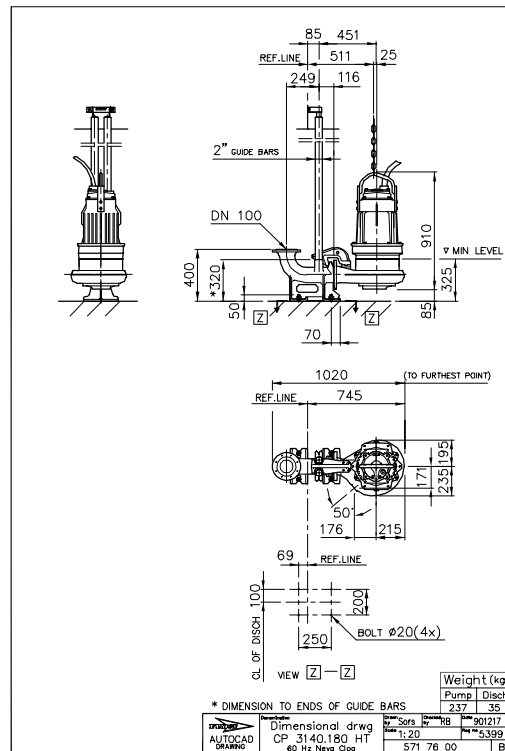
MT, P-installation



MT, S-installation



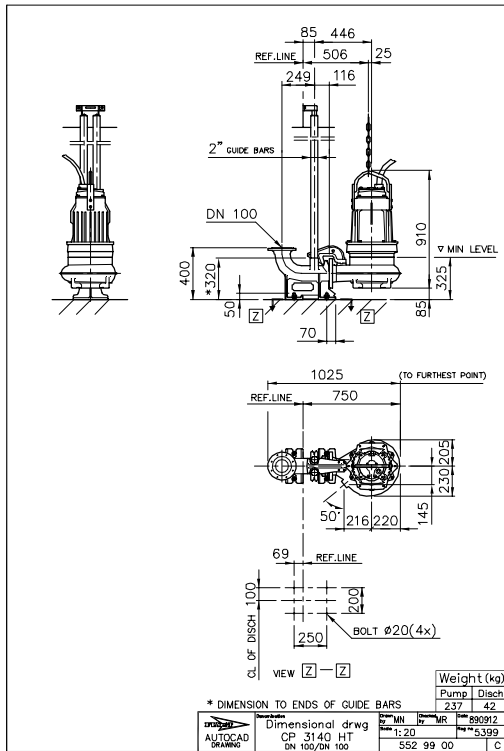
HT, P-installation



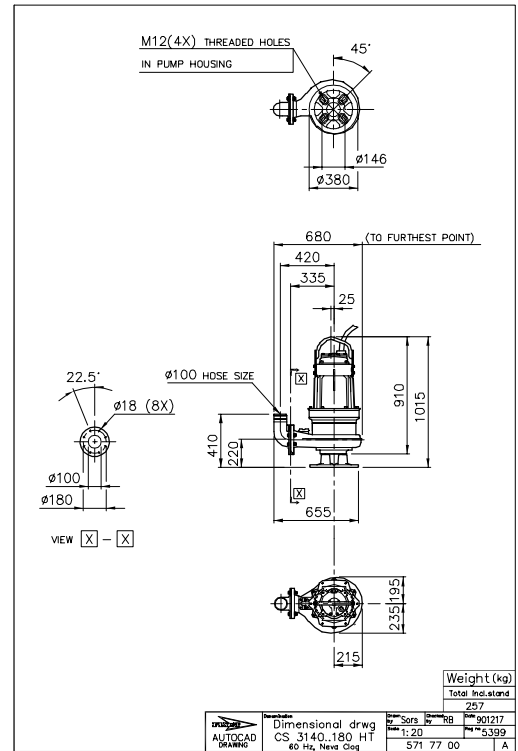




HT, P-installation



HT, S-installation



HT, S-installation

