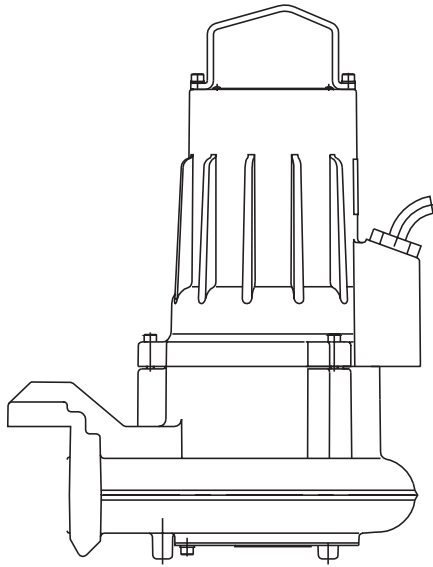
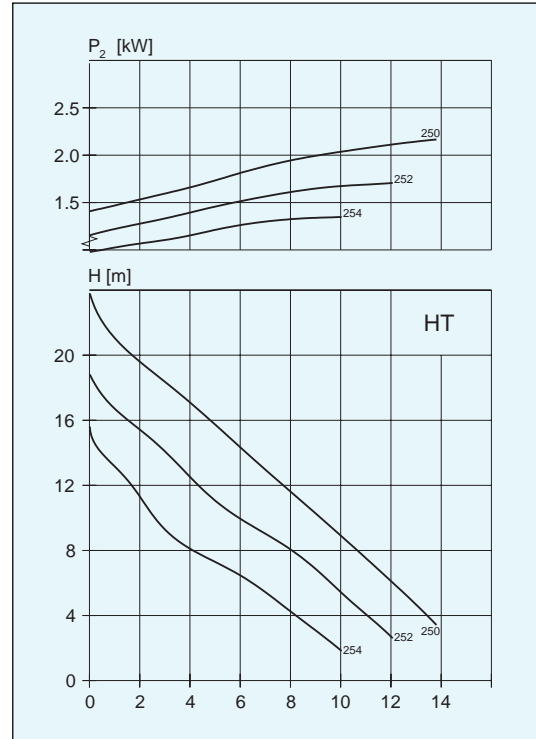


# C 3057



Weight kg	CP	CF	CS
HT	34	34	34

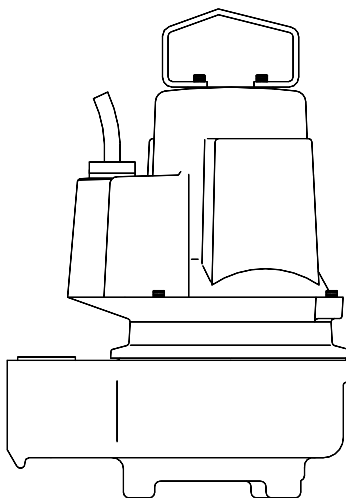
# CP/CF/CS



Impeller code	No. of vanes	Outlet dia mm CP vers.	Through-let, mm	Motor rating kW		rpm	Available versions
				P <sub>1</sub>	P <sub>2</sub>		
W250	1	50	48	3.1	2.4	2685	CP/CF/CS
250	1	50	48	2.3	1.7	2685	CP/CF/CS
W252	1	50	48	3.1	2.4	2685	CP/CF/CS
252	1	50	48	2.3	1.7	2685	CP/CF/CS
252*	1	50	48	2.1	1.5	2685	CP/CF/CS
W254	1	50	48	3.1	2.4	2685	CP/CF/CS
254	1	50	48	2.3	1.7	2685	CP/CF/CS
254*	1	50	48	2.1	1.5	2685	CP/CF/CS

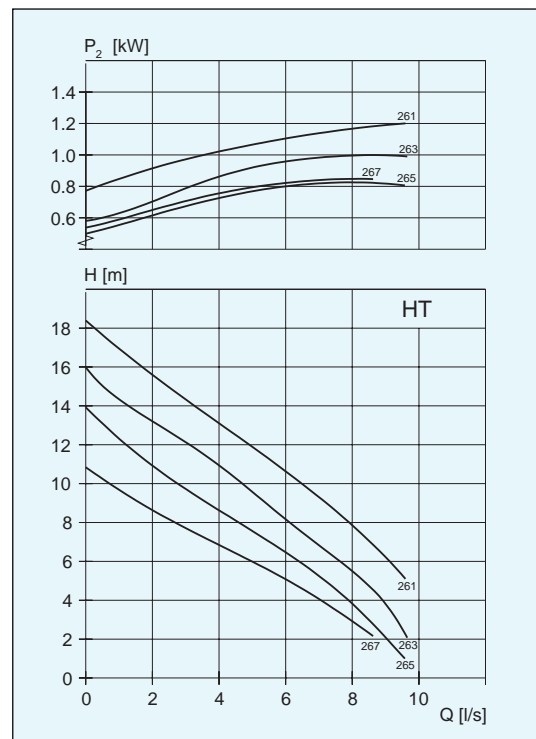
\* Single phase  
W=Also available in a warm liquid version

# C 3067



Weight kg	CP	CF	CH	CS
HT	39	40	39	49

# CP/CF/CH/CS



Impeller code	No. of vanes	Outlet dia mm CP vers.	Through-let, mm	Motor rating kW		rpm	Available versions
				P <sub>1</sub>	P <sub>2</sub>		
W261*	1	50	34	1.6	1.2	2820	CP/CF/CH/CS
W263*	1	50	34	1.6	1.2	2820	CP/CF/CH/CS
W265*	1	50	34	1.6	1.2	2820	CP/CF/CH/CS
W267*	1	50	34	1.6	1.2	2820	CP/CF/CH/CS
263**	1	50	34	1.5	1.0	2835	CP/CF/CH/CS

\* NEVACLOG  
\*\* Single phase