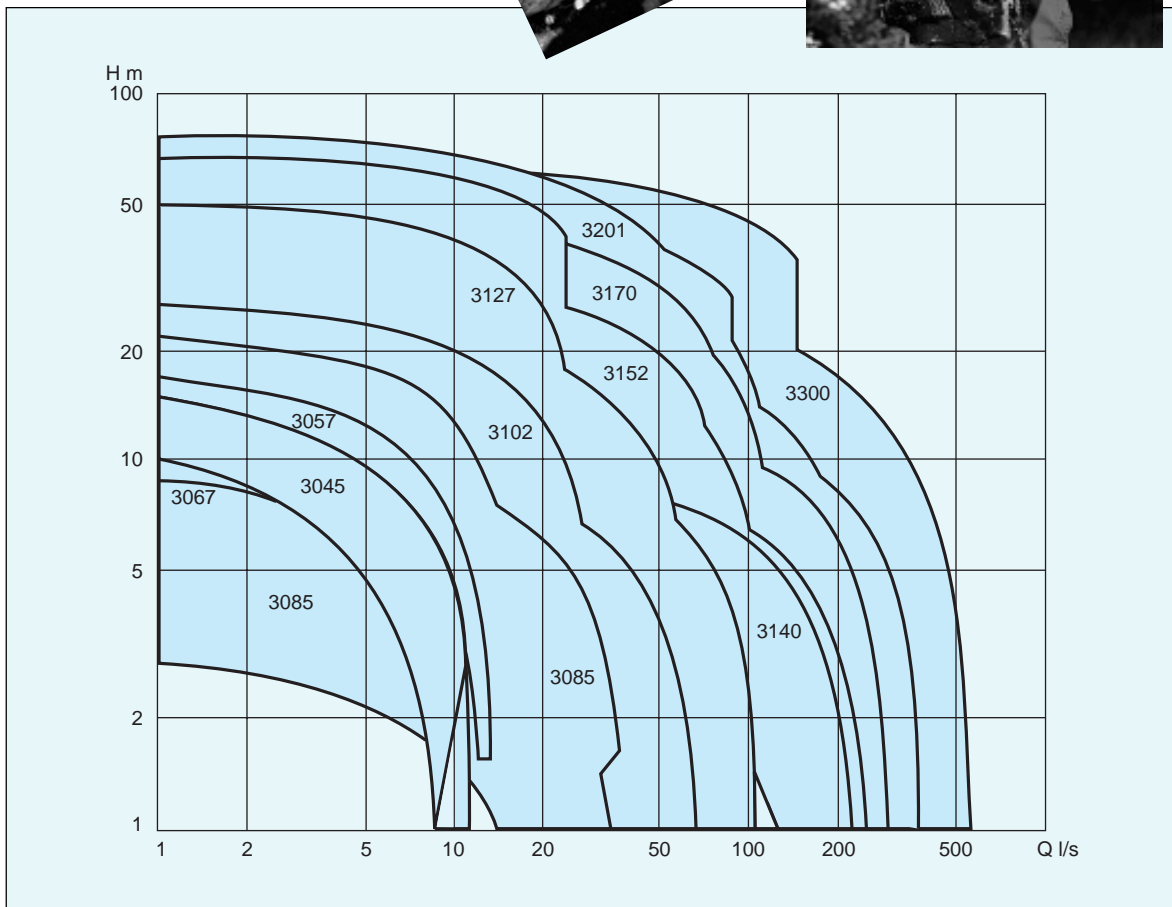


C-PUMPS • 50 Hz

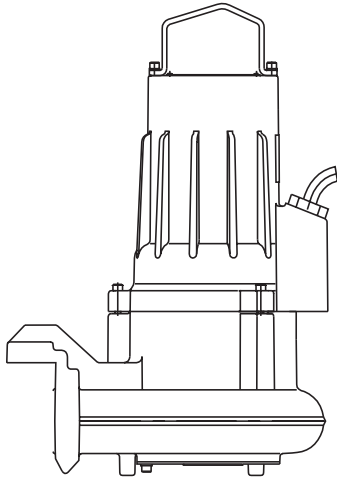
SMALL AND MEDIUM SIZE



The conventional single-channel impeller is a shrouded channel impeller running in a volute. The shape and size of the channel minimize clogging, and therefore makes the pump ideal for waste water, containing large solid particles. See also chapter N-pumps.

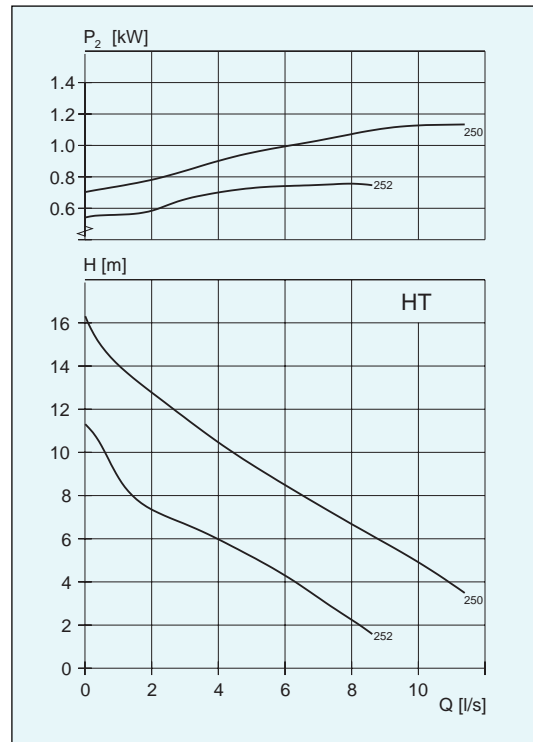


C 3045



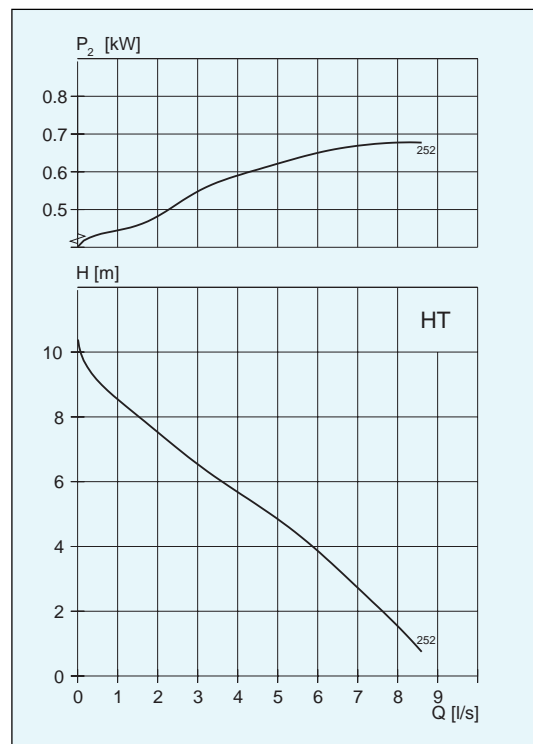
Pump type	CP	CF	CH	CS
Weight kg	28	28	28	28

CP/CF/CH/CS



Impeller code	No. of vanes	Outlet dia mm CP vers.	Through-let, mm	Motor rating kW P ₁ P ₂	rpm	Available versions
250	1	50	46	1.5 1.2	2790	CP/CF/CH/CS
252	1	50	46	1.5 1.2	2790	CP/CF/CH/CS
252	1	50	46	1.0 0.8	2870	CP/CF/CH/CS

CP/CF/CH/CS



Impeller code	No. of vanes	Outlet dia mm CP vers.	Through-let, mm	Motor rating kW P ₁ P ₂	rpm	Available versions
252*	1	50	46	1.0 0.75	2740	CP/CF/CH/CS

* Single phase