



BIBO BS-2140.010

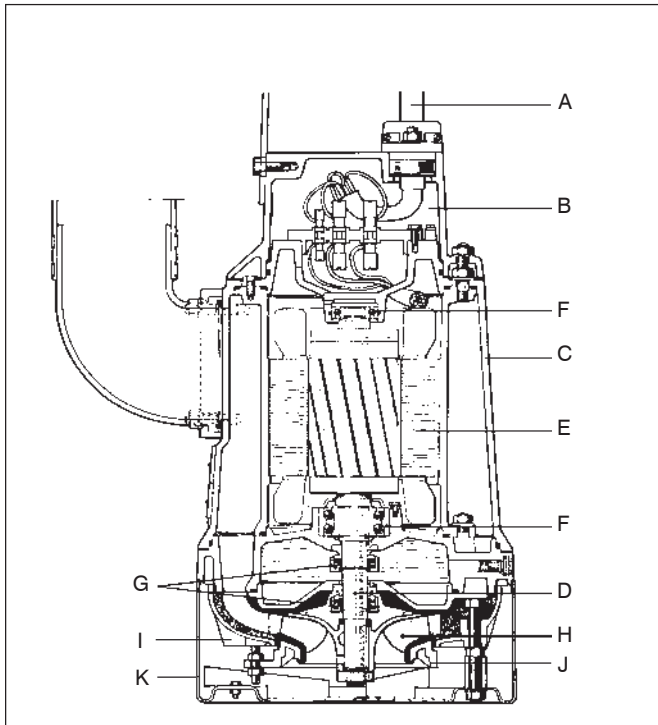
Portable Dewatering Pump

Capacity up to 950 GPM, heads up to 300 ft.



Applications:

Bibo BS-2140 is ideal for fast dewatering of construction sites, tunnels, mines, quarries, cofferdams, caissons, etc.



Specifications

- A **Cable.** Standard 16 m (50 ft.) of SubCab cable. Other lengths available.
 - B **Junction Chamber.** Cable entry incorporates a strain relief and grommet controlled compression sealing. Between the junction box and stator housing a rubber gland provides additional seal protection of the motor.
 - C **Pump Housing.** High strength, lightweight aluminum alloy. Static seals are leakproof Nitrile rubber O rings in precision machined grooves, with controlled compression.
 - D **Shaft.** Stainless steel ANSI 420.
 - E **Motor.** Air filled, NEMA design B with class H (180°C) insulation; 2 pole, 3475 rpm. Shrink-fit to the motor housing. Allows at least 10 starts per hour. Built-in thermal sensors for additional motor overload protection.
 - F **Bearings.** Upper: single row ball bearing. Lower: double row angular contact ball bearing.
 - G **Shaft Seals.** Independent double face seals running in environmentally friendly, FDA approved (Standard #172.878) lubricant. Upper seal: tungsten carbide/carbon. Lower seal: tungsten carbide/tungsten carbide. Oil quantity: 2.5 pints (1.2 l).
 - H **Impeller.** Multivane, open type. Material: high chrome alloyed cast iron ASTM 532.80 Alloy IIIA, hardened for high wear resistance to 60 Rc hardness.
 - I **Diffuser.** Protected by polyurethane (Polylife) or Nitrile Rubber liner. Adjustable to maintain pump's hydraulic performance.
 - J **Wear Plate.** Protected by polyurethane (Polylife) or Nitrile Rubber liner.
 - K **Strainer.** Hot dip galvanized steel. 186 holes 1/4" x 2".
- Fasteners.** Stainless steel ANSI 304.

Approval:

CSA approved to UL Standard #778 and CSA C22.2 #108.



Controls (not shown).

Manual controls, magnetic starter type, providing short circuit and overload protection, housed in EEMAC3 enclosure. Other enclosure types (EEMAC4, EEMAC12) are optional.

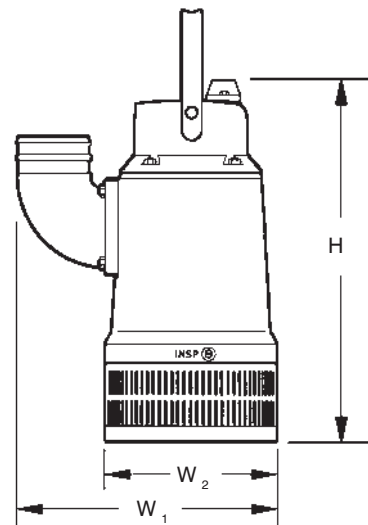
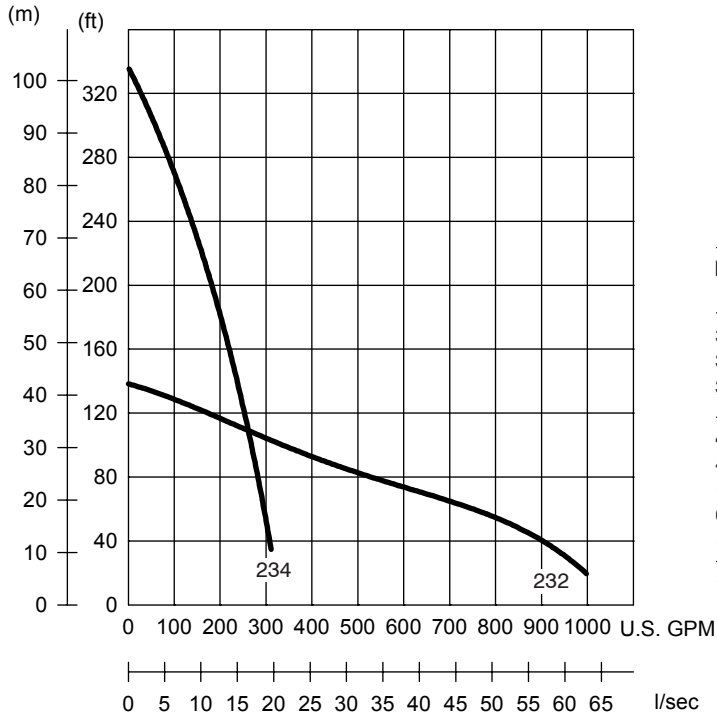
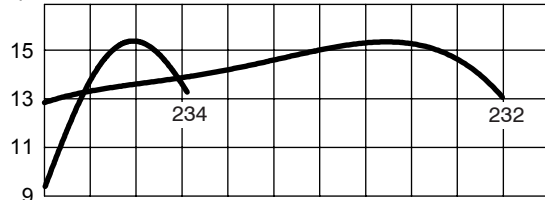
Accessories.

Tandem connection; Zinc anodes.

BIBO BS-2140.010

Performance Data

Power Input kW



Dimensions

Discharge conn.	W ₁ inches	W ₁ mm	W ₂ inches	W ₂ mm	H inches	H mm	Weight lbs.	Weight kg	Tandem Conn.*
3" High Head									
3" NPSM	18 ^{1/2}	470	14 ^{3/16}	360	28 ^{1/2}	725	187	85	3" NPSM (Male)
3" Hose*									
4" or 6" Standard									
4" NPSM	19 ^{3/4}	501	14 ^{3/16}	360	28 ^{1/2}	725	181	82	6" Hose (Male)
6" NPSM	22 ^{1/4}	565	14 ^{3/16}	360	28 ^{9/16}	721	181	82	6" Hose (Female)*

* Optional

VERSION	IMP. CODE	HP	PHASE	VOLTS	FLA	STARTING CURRENT	CABLE SIZE AWG
High Head HT 3"	234	19	3	230	46	390	4/3-2-1-GC
				460	23	195	10/4
				600	18	157	12/4
Standard MT 4" or 6"	232	19	3	230	46	390	4/3-2-1-GC
				460	23	195	10/4
				600	18	157	12/4

SALES • SERVICE • RENTALS

Coquitlam, B.C., Tel.: (604) 941-6664, Fax: (604) 941-3659 • Calgary, Alta., Tel.: (403) 279-8371, Fax: (403) 279-0948 • Edmonton, Alta., Tel.: (780) 489-1961, Fax: (780) 486-5530
 Saskatoon, Sask., Tel.: (306) 933-4849, Fax: (306) 931-0051 • Winnipeg, Mb., Tel.: (204) 235-0050, Fax: (204) 235-0066 • Concord, On., Tel.: (905) 760-7530, Fax: (905) 760-7527
 Ottawa, On., Tel.: (613) 225-9600, Fax: (613) 225-5496 • Sudbury, On., Tel.: (705) 560-2141, Fax: (705) 560-8260 • Thunder Bay, On., Tel.: (807) 625-9960, Fax: (807) 625-9970
 Pointe-Claire, Qc., Tel.: (514) 695-0133, Fax: (514) 695-7990 • Beauport, Qc., Tel.: (418) 667-1694, Fax: (418) 666-9593 • Val d'Or, Qc., Tel.: (819) 825-0792, Fax: (819) 825-5677 •
 Moncton, N.B., Tel.: (506) 857-2244, Fax: (506) 859-8612 • Halifax, N.S., Tel.: (902) 450-1177, Fax: (902) 450-1170 • St. John's, Nfld., Tel.: (709) 722-6717, Fax: (709) 722-9832

Flygt



www.motralec.com / service-commercial@motralec.com / 01.39.97.65.10