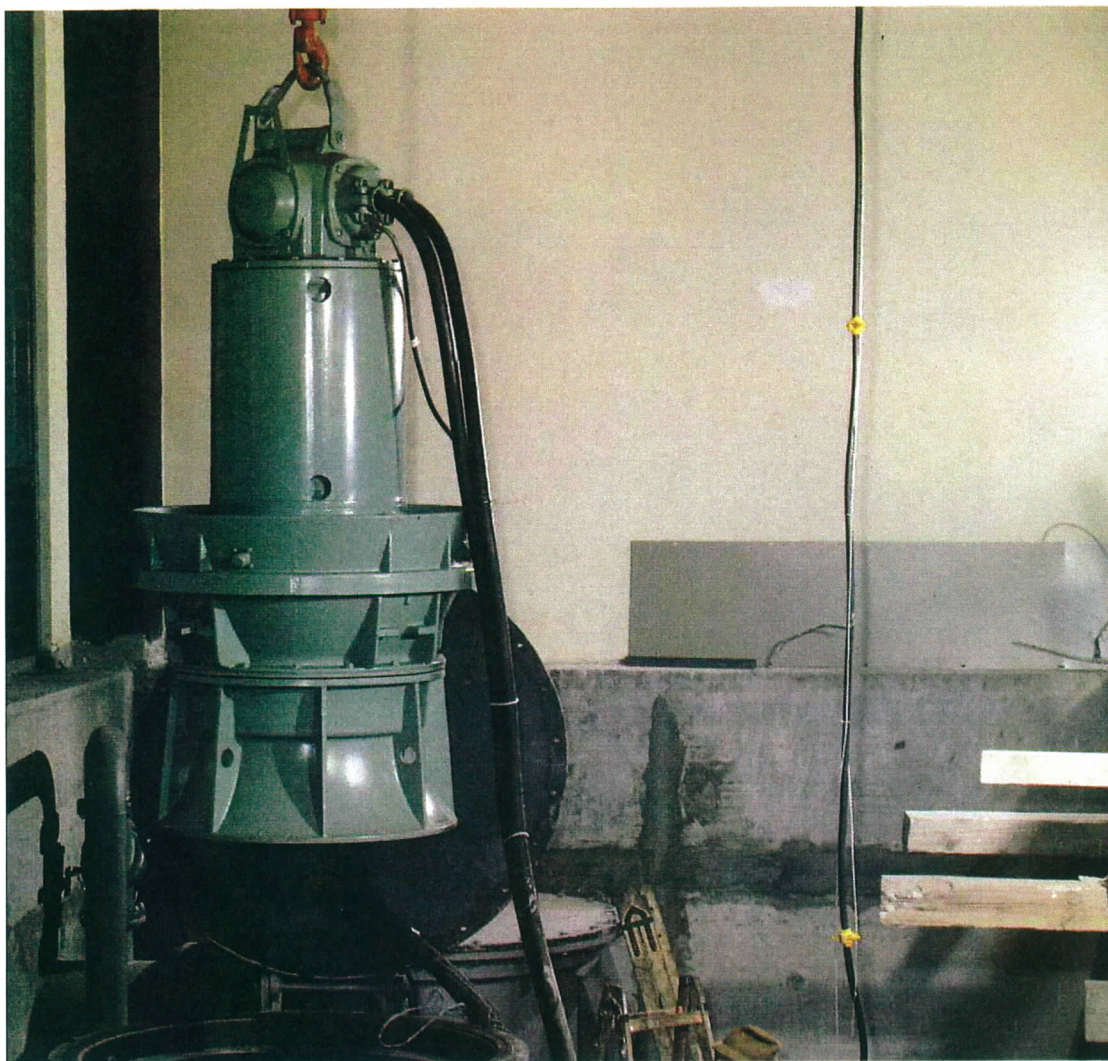
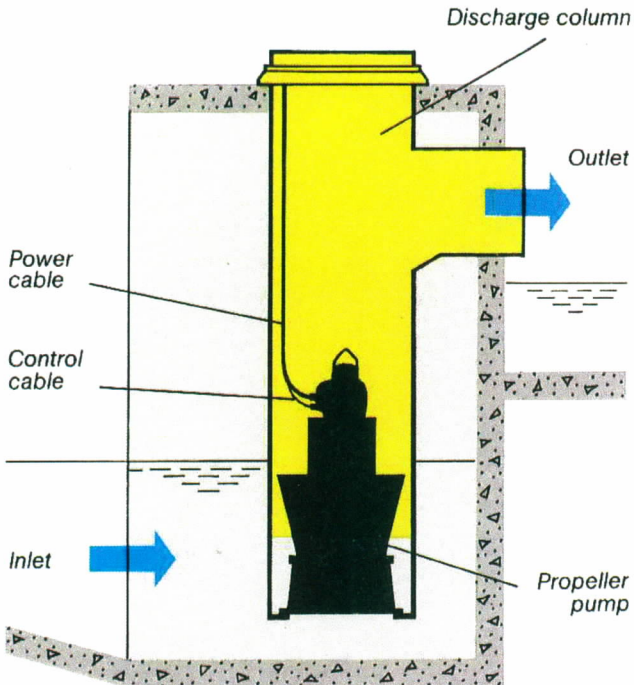


V

Flygt 7000 Submersible Propeller Pumps



Flygt 7000 Series System is a reliable and low-head pumping applications



Pump and motor are a complete unit

Flygt 7000 series submersible propeller pumps are the ultimate in dependability. No long shafts or bearings to worry about. With Flygt, the bowl assembly, propeller and submersible motor are combined to form a rugged, integral unit. A unit that is designed specifically for submerged operation.

The Flygt 7000 is completely flood proof

The ambient temperature within and around the pump station is not increased because of the effective cooling of the motor by the pumped liquid. Since the motor and pump are submerged, operation is virtually silent.

Flygt 7000 series submersible propeller pumps are ideally suited to a wide range of applications: storm water and flood control—raw water intake—drainage—pool and pond level maintenance—dry docks—irrigation—process water cooling—storage—water supply and many others.

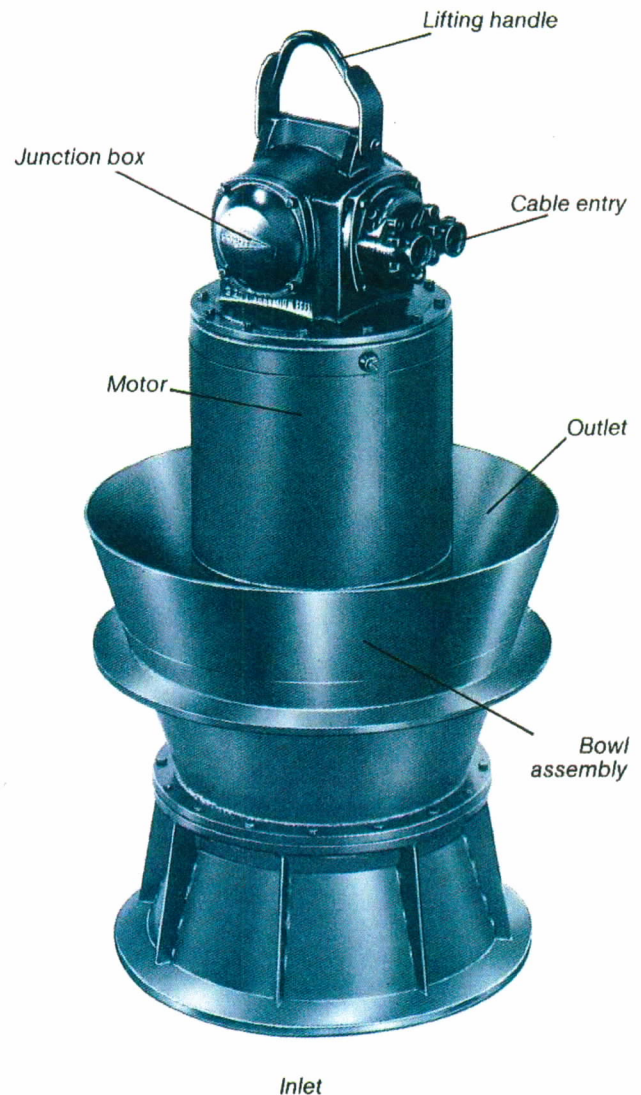
Due to its unique design characteristics, the Flygt 7000 series pump substantially reduces power and maintenance costs—primary requisites for large scale pumping projects.

Compact and easily installed, the Flygt 7000 series pump requires no special piping or housing. The unit is simply lowered into the discharge column where it rests on a base ring at the bottom of the column. Its own weight keeps it firmly in place.

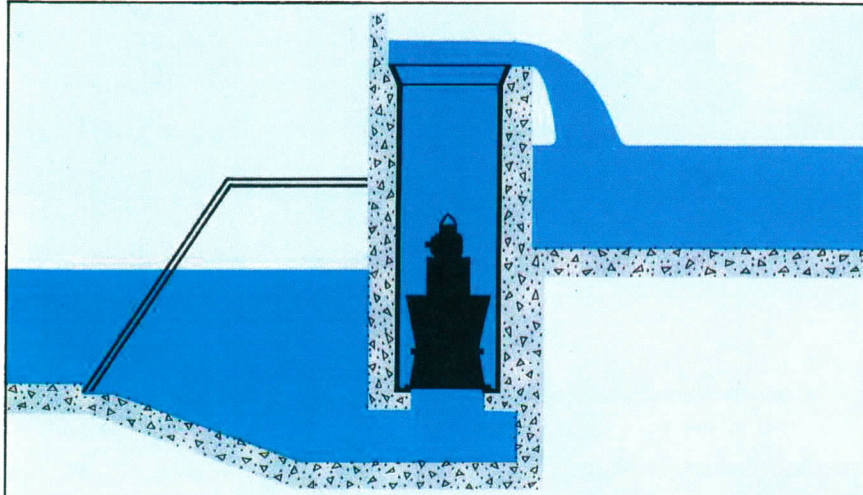
The height of the discharge column will vary depending on the required delivery head and type of application. Discharge column and pump housing can be prefabricated or built on-site. Where large flows are required, two or more pumps, each with its own discharge column, can be installed.

The Flygt 7000 series submersible system requires very little space. The need for large, above ground structures and support equipment are completely eliminated and as a result construction and installation costs are drastically reduced. Because the pump is installed without bolts, it can be lifted out in a matter of minutes without disconnecting piping and without the need for any personnel to enter the pit.

Flygt is the originator and world's largest manufacturer of heavy duty submersible pumps. The simplicity and reliability of the Flygt 7000 series is the result of over 30 years experience, which has been gained in over 700,000 installations throughout the world.

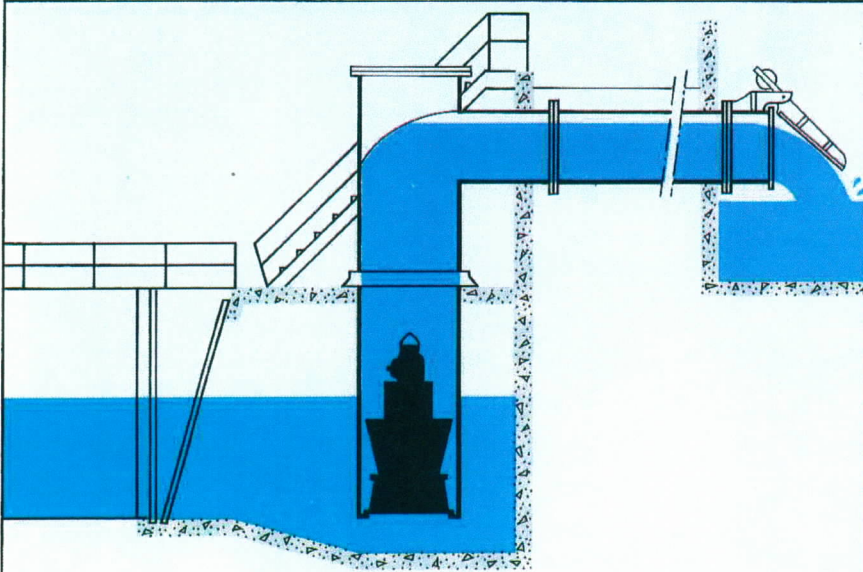


id practical solution for high-capacity,

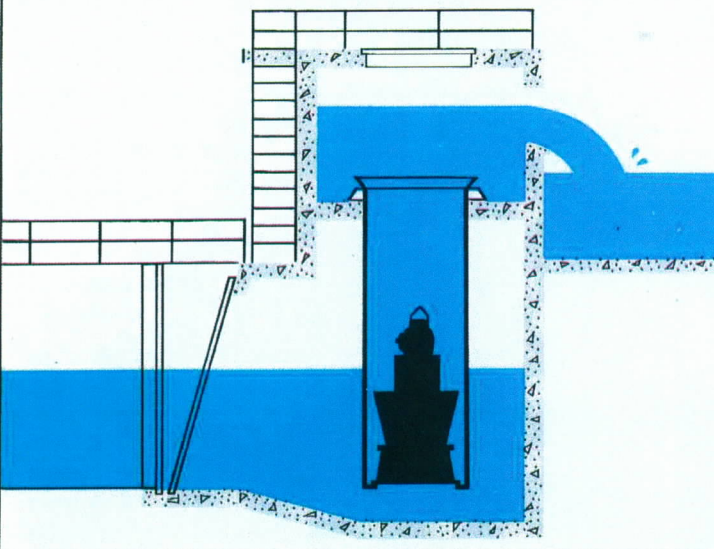


Typical Installations

Simple circular or rectangular vertical discharge column and discharge made of concrete.



Flygt 7000 series system using discharge pipe and flap valve



Vertical discharge column constructed of prefabricated, reinforced concrete or steel tube, suspended from an intermediate floor.