

Installation,
Operation, and
Maintenance Manual



Flygt 5520

FLYGT
a xylem brand

Table of Contents

Introduction and Safety	3
Introduction.....	3
Safety.....	3
Safety terminology and symbols.....	3
Environmental safety.....	4
User safety.....	5
Product warranty.....	6
Transportation and Storage	7
Inspect the delivery.....	7
Inspect the package.....	7
Inspect the unit.....	7
Transportation guidelines.....	7
Precautions.....	7
Position and fastening.....	7
Lifting.....	7
Temperature ranges for transportation, handling and storage.....	8
Handling at freezing temperature.....	8
Unit in as-delivered condition.....	8
Lifting the unit out of liquid.....	8
Storage guidelines.....	9
Storage location.....	9
Long-term storage.....	9
Product Description	10
Pump design.....	10
Parts.....	11
Monitoring equipment.....	12
Optional sensors.....	12
The data plate.....	13
Product denomination.....	14
Installation	15
Install the pump.....	15
Authority regulation.....	15
Fasteners.....	15
Install with P-installation.....	16
Install with S-installation.....	17
Install with T/Z-installation.....	17
Make the electrical connections.....	19
General precautions.....	19
Requirements.....	19
Cables.....	19
Earthing (Grounding).....	20
Connect the motor cable to the pump.....	20
Connect the motor cable to the starter and monitoring equipment.....	21
Cable charts.....	22
Check the impeller rotation.....	30
Operation	32
Precautions.....	32
Distance to wet areas.....	32

Noise level.....	32
Start the pump.....	32
Maintenance.....	34
Precautions.....	34
Maintenance guidelines.....	34
Torque values.....	34
Change the oil.....	35
Service the pump.....	36
Inspection.....	36
Major overhaul.....	37
Service in case of alarm.....	38
Replace the hydraulic parts.....	38
Replace the impeller.....	38
Replace the wear parts.....	41
Troubleshooting.....	45
Introduction.....	45
The pump does not start.....	45
The pump does not stop when a level sensor is used.....	46
The pump starts-stops-starts in rapid sequence.....	46
The pump runs but the motor protection trips.....	47
The pump delivers too little or no water.....	47
Technical Reference.....	49
Motor data.....	49
Application limits.....	49

Introduction and Safety

Introduction

Purpose of this manual

The purpose of this manual is to provide necessary information for:

- Installation
- Operation
- Maintenance



CAUTION:

Read this manual carefully before installing and using the product. Improper use of the product can cause personal injury and damage to property, and may void the warranty.

NOTICE:

Save this manual for future reference, and keep it readily available at the location of the unit.

Safety



WARNING:

- The operator must be aware of safety precautions to prevent physical injury.
 - Any pressure-containing device can explode, rupture, or discharge its contents if it is over-pressurized. Take all necessary measures to avoid over-pressurization.
 - Operating, installing, or maintaining the unit in any way that is not covered in this manual could cause death, serious personal injury, or damage to the equipment. This includes any modification to the equipment or use of parts not provided by Xylem. If there is a question regarding the intended use of the equipment, please contact an Xylem representative before proceeding.
 - This manual clearly identifies accepted methods for disassembling units. These methods must be adhered to. Trapped liquid can rapidly expand and result in a violent explosion and injury. Never apply heat to impellers, propellers, or their retaining devices to aid in their removal.
 - Do not change the service application without the approval of an authorized Xylem representative.
-



CAUTION:

You must observe the instructions contained in this manual. Failure to do so could result in physical injury, damage, or delays.




Safety terminology and symbols

About safety messages

It is extremely important that you read, understand, and follow the safety messages and regulations carefully before handling the product. They are published to help prevent these hazards:

- Personal accidents and health problems
- Damage to the product
- Product malfunction

Hazard levels

Hazard level	Indication
 <p>DANGER:</p>	A hazardous situation which, if not avoided, will result in death or serious injury
 <p>WARNING:</p>	A hazardous situation which, if not avoided, could result in death or serious injury
 <p>CAUTION:</p>	A hazardous situation which, if not avoided, could result in minor or moderate injury
<p>NOTICE:</p>	<ul style="list-style-type: none"> • A potential situation which, if not avoided, could result in undesirable conditions • A practice not related to personal injury

Hazard categories

Hazard categories can either fall under hazard levels or let specific symbols replace the ordinary hazard level symbols.

Electrical hazards are indicated by the following specific symbol:



Electrical Hazard:

These are examples of other categories that can occur. They fall under the ordinary hazard levels and may use complementing symbols:

- Crush hazard
- Cutting hazard
- Arc flash hazard

Environmental safety

The work area

Always keep the station clean to avoid and/or discover emissions.

Waste and emissions regulations

Observe these safety regulations regarding waste and emissions:

- Appropriately dispose of all waste.
- Handle and dispose of the processed liquid in compliance with applicable environmental regulations.
- Clean up all spills in accordance with safety and environmental procedures.
- Report all environmental emissions to the appropriate authorities.



WARNING:

Do NOT send the product to the Xylem manufacturer if it has been contaminated by any nuclear radiation. Inform Xylem so that accurate actions can take place.

Electrical installation

For electrical installation recycling requirements, consult your local electric utility.

Recycling guidelines

Always recycle according to these guidelines:

1. Follow local laws and regulations regarding recycling if the unit or parts are accepted by an authorized recycling company.
2. If the first guideline is not applicable, then return the unit or parts to your Xylem representative.

User safety**General safety rules**

These safety rules apply:

- Always keep the work area clean.
- Pay attention to the risks presented by gas and vapors in the work area.
- Avoid all electrical dangers. Pay attention to the risks of electric shock or arc flash hazards.
- Always bear in mind the risk of drowning, electrical accidents, and burn injuries.

Safety equipment

Use safety equipment according to the company regulations. Use this safety equipment within the work area:

- Hard hat
- Safety goggles, preferably with side shields
- Protective shoes
- Protective gloves
- Gas mask
- Hearing protection
- First-aid kit
- Safety devices

NOTICE:

Never operate a unit unless safety devices are installed. Also see specific information about safety devices in other chapters of this manual.

Electrical connections

Electrical connections must be made by certified electricians in compliance with all international, national, state, and local regulations. For more information about requirements, see sections dealing specifically with electrical connections.

Hazardous liquids

The product is designed for use in liquids that can be hazardous to your health. Observe these rules when you work with the product:

- Make sure that all personnel who work with biologically hazardous liquids are vaccinated against diseases to which they may be exposed.
- Observe strict personal cleanliness.

Wash the skin and eyes

Follow these procedures for chemicals or hazardous fluids that have come into contact with your eyes or your skin:

Condition	Action
Chemicals or hazardous fluids in eyes	<ol style="list-style-type: none">1. Hold your eyelids apart forcibly with your fingers.2. Rinse the eyes with eyewash or running water for at least 15 minutes.3. Seek medical attention.
Chemicals or hazardous fluids on skin	<ol style="list-style-type: none">1. Remove contaminated clothing.2. Wash the skin with soap and water for at least 1 minute.3. Seek medical attention, if necessary.

Product warranty

Coverage

Xylem undertakes to remedy defects in products from Xylem under these conditions:

- The faults are due to defects in design, materials, or workmanship.
- The faults are reported to an Xylem representative within the warranty period.
- The product is used only under the conditions described in this manual.
- The monitoring equipment incorporated in the product is correctly connected and in use.
- All service and repair work is done by Xylem-authorized personnel.
- Genuine Xylem parts are used.
- Only Ex-approved spare parts and accessories authorized by Xylem are used in Ex-approved products.

Limitations

The warranty does not cover defects caused by these situations:

- Deficient maintenance
- Improper installation
- Modifications or changes to the product and installation made without consulting Xylem
- Incorrectly executed repair work
- Normal wear and tear

Xylem assumes no liability for these situations:

- Bodily injuries
- Material damages
- Economic losses

Warranty claim

Xylem products are high-quality products with expected reliable operation and long life. However, should the need arise for a warranty claim, then contact your Xylem representative.

Spare parts

Xylem guarantees that spare parts will be available for 15 years after the manufacture of this product has been discontinued.

Transportation and Storage

Inspect the delivery

Inspect the package

1. Inspect the package for damaged or missing items upon delivery.
2. Note any damaged or missing items on the receipt and freight bill.
3. File a claim with the shipping company if anything is out of order.
If the product has been picked up at a distributor, make a claim directly to the distributor.

Inspect the unit

1. Remove packing materials from the product.
Dispose of all packing materials in accordance with local regulations.
2. Inspect the product to determine if any parts have been damaged or are missing.
3. If applicable, unfasten the product by removing any screws, bolts, or straps.
For your personal safety, be careful when you handle nails and straps.
4. Contact your sales representative if anything is out of order.

Transportation guidelines

Precautions



WARNING:

- Stay clear of suspended loads.
 - Observe accident prevention regulations in force.
-

Position and fastening

The unit can be transported either horizontally or vertically. Make sure that the unit is securely fastened during transportation, and cannot roll or fall over.

Lifting



WARNING:

- Crush hazard. The unit and the components can be heavy. Use proper lifting methods and wear steel-toed shoes at all times.
 - Lift and handle the product carefully, using suitable lifting equipment.
 - The product must be securely harnessed for lifting and handling. Use eyebolts or lifting lugs if available.
 - Always lift the unit by its lifting handle. Never lift the unit by the motor cable or by the hose.
 - Do not attach sling ropes to shaft ends.
-

Lifting equipment

Lifting equipment is always required when handling the unit. It must fulfill the following requirements:

- The minimum height (contact Xylem for information) between the lifting hook and the floor must be sufficient to lift the unit.
- The lifting equipment must be able to hoist the unit straight up and down, preferably without the need for resetting the lifting hook.
- The lifting equipment must be securely anchored and in good condition.
- The lifting equipment must support weight of the entire assembly and must only be used by authorized personnel.
- Two sets of lifting equipment must be used to lift the unit for repair work.
- The lifting equipment must be dimensioned to lift the unit with any remaining pumped media in it.
- The lifting equipment must not be oversized.

NOTICE:

Oversized lifting equipment could cause damage if the unit should stick when being lifted.

Temperature ranges for transportation, handling and storage

Handling at freezing temperature

At temperatures below freezing, the product and all installation equipment, including the lifting gear, must be handled with extreme care.

Make sure that the product is warmed up to a temperature above the freezing point before starting up. Avoid rotating the impeller/propeller by hand at temperatures below the freezing point. The recommended method to warm the unit up is to submerge it in the liquid which will be pumped or mixed.

NOTICE:

Never use a naked flame to thaw the unit.

Unit in as-delivered condition

If the unit is still in the condition in which it left the factory - all packing materials are undisturbed - then the acceptable temperature range during transportation, handling and storage is: -50°C (-58°F) to +60°C (+140°F).

If the unit has been exposed to freezing temperatures, then allow it to reach the ambient temperature of the sump before operating.

Lifting the unit out of liquid

The unit is normally protected from freezing while operating or immersed in liquid, but the impeller/propeller and the shaft seal may freeze if the unit is lifted out of the liquid into a surrounding temperature below freezing.

Units equipped with an internal cooling system are filled with a mixture of water and 30% glycol. This mixture remains a flowing liquid at temperatures down to -13°C (9°F). Below -13°C (9°F), the viscosity increases such that the glycol mixture will lose its flow properties. However, the glycol-water mixture will not solidify completely and thus cannot harm the product.

Follow these guidelines to avoid freezing damage:

1. Empty all pumped liquid, if applicable.
2. Check all liquids used for lubrication or cooling, both oil and water-glycol mixtures, for the presence of water. Change if needed.

Storage guidelines

Storage location

The product must be stored in a covered and dry location free from heat, dirt, and vibrations.

NOTICE:

- Protect the product against humidity, heat sources, and mechanical damage.
 - Do not place heavy weights on the packed product.
-

Long-term storage

If the unit is stored more than 6 months, the following apply:

- Before operating the unit after storage, it must be inspected with special attention to the seals and the cable entry.
- The impeller/propeller must be rotated every other month to prevent the seals from sticking together.

Product Description

Pump design

The pump is submersible, and driven by an electric motor.

Intended use

The product is intended for moving wastewater, sludge, raw and clean water. Always follow the limits that are given in [Application limits](#) (page 49). If there is a question regarding the intended use of the equipment, please contact an Xylem representative before proceeding.



WARNING:

In explosive or flammable environments, only use Ex- or MSHA-approved pumps.

NOTICE:

Do NOT use the pump in highly corrosive liquids.

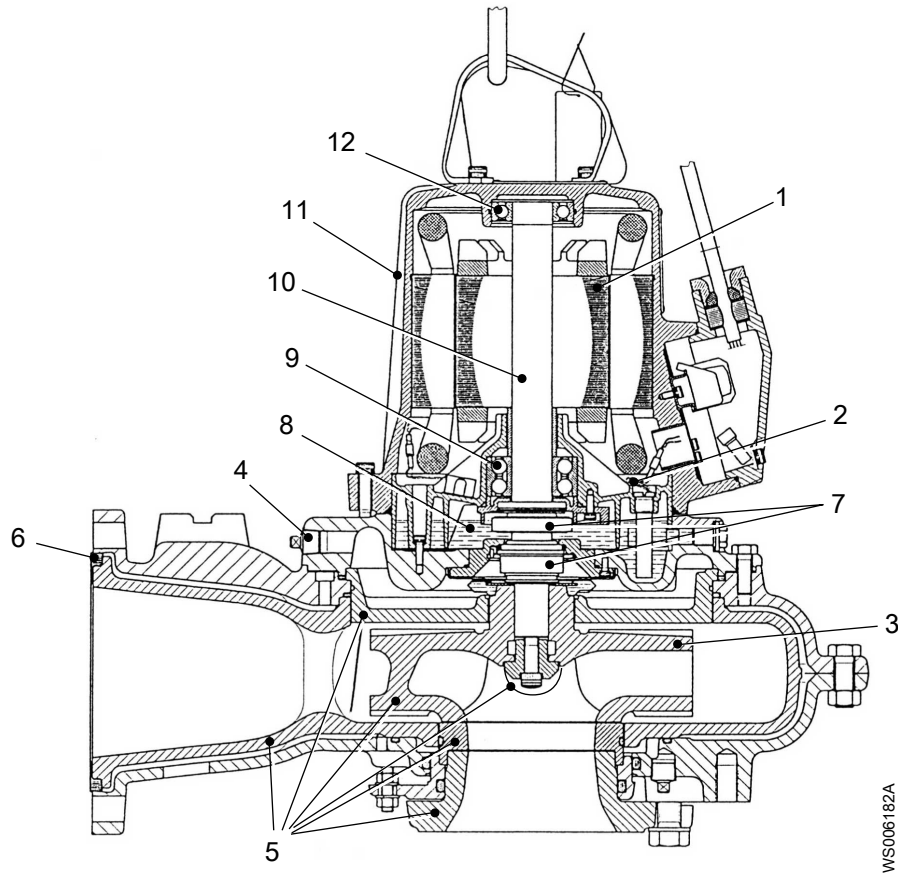
Spare parts

- Modifications to the unit or installation should only be carried out after consulting with Xylem.
- Original spare parts and accessories that are authorized by Xylem are essential for compliance. The use of other parts can invalidate any claims for warranty or compensation. For more information contact your Xylem representative.

Pressure class

MT Medium head

Parts



WS006182A

Position	Part	Description
1	Motor	For information about the motor, see Motor data (page 49).
2	Monitoring equipment	For more information about the monitoring equipment, see Monitoring equipment (page 12).
3	Impeller	The impeller is a shrouded three-channel H-impeller.
4	Flushing plug	External flushing of the outer mechanical seal can be connected to one of the holes. The other holes must then be plugged during flushing. <ul style="list-style-type: none"> • Flushing flow: 1.5-4 l/min (1.6-4.2 quarts/min) • Pressure of 5m + shut-off head For more information, contact your local Xylem representative.
5	Wear parts	<ul style="list-style-type: none"> • Wear lining • Wear ring

Position	Part	Description
		<ul style="list-style-type: none"> • Wearing cover • Suction cover • Impeller • Wear protection/plug
6	Gasket	Functions as a sealing both between the pump housing and the discharge line and between the pump housing and the wear lining.
7	Mechanical seals	One inner and one outer seal in a combination of materials: <ul style="list-style-type: none"> • Tungsten carbide • Silicon carbide RSiC • Aluminium oxide Al₂O₃ • Corrosion-resistant cemented carbide WCCR
8	Oil casing	A housing with oil that lubricates and cools the seals, and acts as a buffer between the pumped fluid and the drive unit. Pressure buildup within the oil casing is reduced by means of a built in air volume.
9	Main bearing	The bearing consists of a two row angular contact ball bearing.
10	Shaft	The shaft is stainless steel, with an integrated rotor.
11	Cooling	The pump is cooled by the ambient liquid.
12	Support bearing	The bearing consists of a single-row ball bearing.

Monitoring equipment

The following applies to the monitoring equipment of the pump:

- The stator incorporates three thermal contacts connected in series that activate the alarm and stops the pump at overtemperature
- The thermal contacts open at 125°C (257°F).
- Ex-approved pumps must have thermal contacts connected to the control panel.
- The sensors must be connected to either the MiniCAS II monitoring equipment or an equivalent equipment.
- The monitoring equipment must be of a design that makes automatic restart impossible.
- Information in the junction box shows if the pump is equipped with optional sensors.

Optional sensors

FLS FLS is a miniature float switch for detection of liquid in the stator housing. Due to its design it is best suited for pumps in a vertical position. The FLS sensor is installed in the bottom of the stator housing.

CLS CLS is a sensor for detection of water in the oil housing. The sensor initiates an alarm when the oil contains approximately 35% water. The sensor is installed in the bearing housing/bearing holder with its sensing part in the oil housing. The CLS sensor is not applicable to Ex-approved pumps.

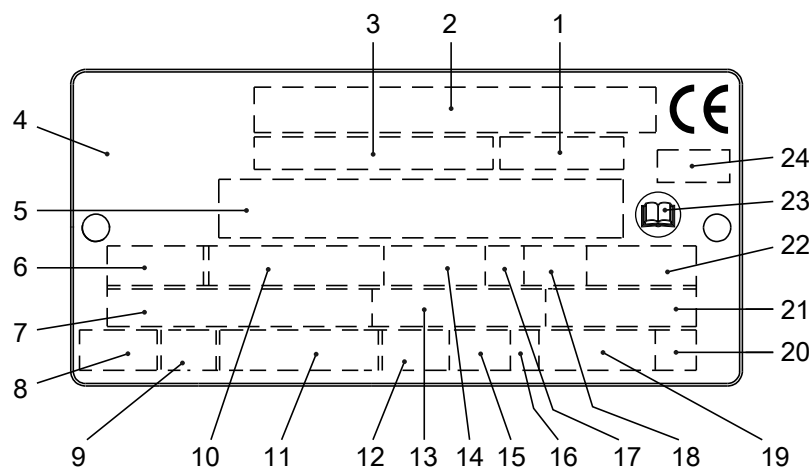
NOTICE:

The CLS sensor body is made of glass. Handle the sensor with care.

One CLS and one FLS sensor can be used in the same pump, if they are connected in parallel.

The data plate

The data plate is a metal label located on the main body of the products. The data plate lists key product specifications. Specially approved products also have an approval plate.



WS006257A

1. Curve code/Propeller code
2. Serial number, see [Product denomination](#) (page 14)
3. Product number
4. Country of origin
5. Additional information
6. Phase; type of current; frequency
7. Rated voltage
8. Thermal protection
9. Thermal class
10. Rated shaft power
11. International standard
12. Degree of protection
13. Rated current
14. Rated speed
15. Maximum submergence
16. Direction of rotation: L=left, R=right
17. Duty class
18. Duty factor
19. Product weight
20. Locked rotor code letter
21. Power factor
22. Maximum ambient temperature
23. Read installation manual
24. Notified body. Only for EN-approved Ex-products

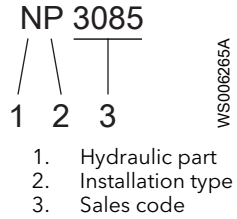
Figure 1: The data plate

Product denomination

Sales denomination

The sales denomination consists of the four-digit sales code and two letters that indicate the hydraulic end and type of installation.

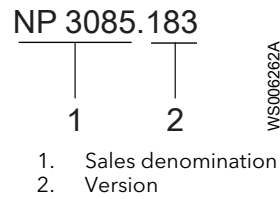
This is an example of a sales denomination, and an explanation of its parts.



Product code

The product code consists of nine characters divided into two parts.

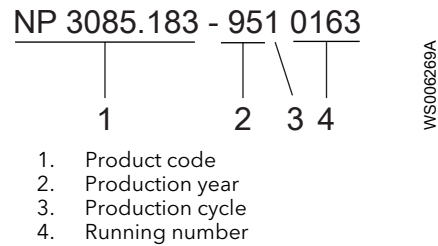
This is an example of a product code, and an explanation of its parts.



Serial number

The serial number is used for identification of an individual product, and is divided into four parts.

This is an example of a serial number, and an explanation of its parts.



Installation

Install the pump



WARNING:

- Electrical shock hazard. Check that the cable and cable entry have not been damaged during transport before installing the pump.
 - Note that special rules apply to installation in explosive atmospheres.
 - Make sure that the unit cannot roll or fall over and injure people or damage property.
 - Do not install CSA-approved products in locations that are classified as hazardous in the national electric code, ANSI/NFPA 70-2005.
 - Do not install the starter equipment in an explosive zone unless it is explosion-proof rated.
-

NOTICE:

- Do not run the pump dry.
 - Never force piping to make a connection with a pump.
 - Always remove all debris and waste material from the sump, inlet piping, and discharge connection, before you install the pump.
-

These requirements apply:

- Use the pump dimensional drawing in order to ensure proper installation.
- Provide a suitable barrier around the work area, for example, a guard rail.
- Check the explosion risk before you weld or use electric hand tools.
- Always check the impeller rotation before lowering the pump into the pumped liquid.

Authority regulation

Vent the tank of a sewage machine station in accordance with local plumbing codes.

Fasteners



WARNING:

- Only use fasteners of the proper size and material.
 - Replace all corroded fasteners.
 - Make sure that all fasteners are properly tightened and that there are no missing fasteners.
-

Install with P-installation

In the P-installation, the pump is installed on a stationary discharge connection, and operates either completely or partially submerged in the pumped liquid. These requirements and instructions only apply when the installation is made according to the dimensional drawing.

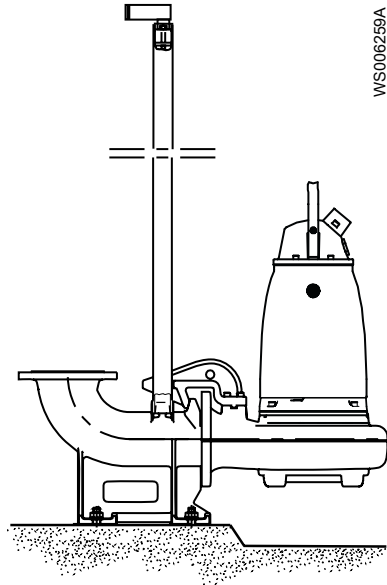


Figure 2: P-installation

These items are required:

- Guide bars
 - Guide bar bracket for attaching the guide equipment to the access frame or to the upper part of the sump
 - Cable holder for holding the cable
 - Access frame (with covers) to which the upper guide bar bracket and cable holder can be attached
 - Discharge connection for connecting the pump to the discharge line
The discharge connection has a flange which fits the pump casing flange and a bracket for attaching the guide equipment.
 - Fasteners for the discharge connection
 - Anchor bolts
1. Install the access frame:
 - a) Place the access frame in position and align it horizontally.
 - b) Grout the frame in place.
 2. Grout the anchor bolts in place.
Be careful when you align and position the discharge connection in relation to the access frame.
 3. Place the discharge connection in position, and tighten the nuts.
 4. Install the guide bars:
 - a) Secure the guide bars in the bracket.
 - b) Check that the guide bars are placed vertically. Use a level or a plumb line.
 5. Connect the discharge pipe to the discharge connection.
Make sure the rubber gasket in the discharge connection is correctly positioned.
 6. Lower the pump along the guide bars.

When it reaches the bottom position, the pump automatically connects to the discharge connection.

7. Secure the motor cable:
 - a) Fasten the permanent lifting device to the pump and to the access frame. For example, you can use a stainless-steel lifting chain with shackles.
 - b) Fasten the cable to the cable holder.

Make sure that the cable cannot be sucked into the pump inlet or that it is neither sharply bent, or pinched. Support straps are required for deep installations.

- c) Connect the motor cable and the starter and monitoring equipment according to the separate instructions.

Make sure that the impeller rotation is correct. For more information, see [Check the impeller rotation](#) (page 30).

Clean all debris from the sump before starting the pump.

Install with S-installation

In the S-installation, the pump is transportable and intended to operate either completely or partially submerged in the pumped liquid. The pump is equipped with a connection for hose or pipe and stands on a base stand.

These requirements and instructions only apply when the installation is made according to the dimensional drawing. For information about the different installation types, see Parts List.

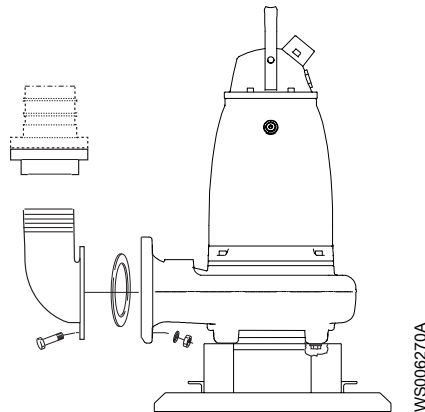


Figure 3: S-installation

1. Run the cable so that it has no sharp bends. Make sure that it is not pinched, and cannot be sucked into the pump inlet.
2. Connect the discharge line.
3. Lower the pump into the sump.
4. Place the pump on the base and make sure it cannot fall over or sink.
Alternatively, the pump can be suspended with a lifting chain just above the sump bottom. Make sure that the pump cannot rotate at startup or during operation.
5. Connect the motor cable and the starter and monitoring equipment according to the separate instructions.

Make sure that the impeller rotation is correct. For more information, see [Check the impeller rotation](#) (page 30).

Install with T/Z-installation

In the T-installation, the pump is installed in a vertical position in a dry well next to the wet sump. These requirements and instructions only apply when the installation is made according to the dimensional drawing.

In the Z-installation, the pump is installed in a horizontal position on a support stand in a dry well next to the wet sump. The following requirements and instructions are for Z-installations that comply to the dimensional drawing.

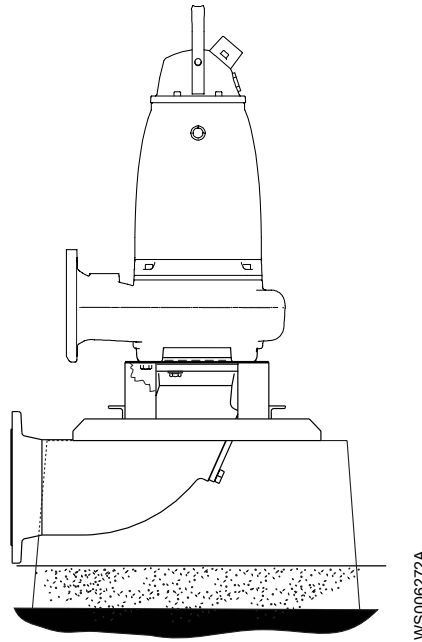


Figure 4: T-installation

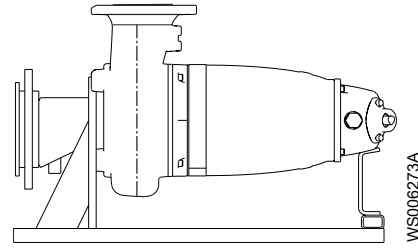


Figure 5: Z-installation

These items are required:

- Anchor bolts for anchoring the pump to a base.
- Shut-off valves that allow you to remove the pump from service

NOTICE:

The risk of freezing is particularly high in T- or Z-installations.

1. Fasten the pump:
 - a) Bolt the stationary suction connection to the concrete base.
 - b) Bolt the pump to the suction connection.
2. Make sure that the pump is vertical for the T-installation or horizontal for the Z-installation.
3. Connect the suction line and discharge line.
4. Connect the motor cable and the starter and monitoring equipment according to the separate instructions.
 Make sure that the impeller rotation is correct. For more information, see [Check the impeller rotation](#) (page 30).
5. Make sure that the weight of the pump does not put strain on the piping.

Make the electrical connections

General precautions



Electrical Hazard:

- A certified electrician must supervise all electrical work. Comply with all local codes and regulations.
 - Before starting work on the unit, make sure that the unit and the control panel are isolated from the power supply and cannot be energized. This applies to the control circuit as well.
 - Leakage into the electrical parts can cause damaged equipment or a blown fuse. Keep the end of the motor cable above the liquid level.
 - Make sure that all unused conductors are insulated.
 - There is a risk of electrical shock or explosion if the electrical connections are not correctly carried out or if there is fault or damage on the product.
-



WARNING:

Do not install the starter equipment in an explosive zone unless it is explosion-proof rated.



CAUTION:

If the pump is equipped with automatic level control and/or internal contactor, there is a risk of sudden restart.

Requirements

These general requirements apply for electrical installation:

- The supply authority must be notified before installing the pump if it will be connected to the public mains. When the pump is connected to the public power supply, it may cause flickering of incandescent lamps when started.
- The mains voltage and frequency must agree with the specifications on the data plate. If the pump can be connected to different voltages, then the connected voltage is specified by a yellow sticker close to the cable entry.
- The fuses and circuit breakers must have the proper rating, and the pump overload protection (motor protection breaker) must be connected and set to the rated current according to the data plate and if applicable the cable chart. The starting current in direct-on-line start can be up to six times higher than the rated current.
- The fuse rating and the cables must be in accordance with the local rules and regulations.
- If intermittent operation is prescribed, then the pump must be provided with monitoring equipment supporting such operation.
- If stated on the data plate, then the motor is convertible between different voltages.
- The thermal contacts/thermistors must be in use.

Cables

These are the requirements to follow when you install cables:

- The cables must be in good condition, not have any sharp bends, and not be pinched.
- The sheathing must not be damaged and must not have indentations or be embossed (with markings, etc.) at the cable entry.
- The cable entry seal sleeve and washers must conform to the outside diameter of the cable.

- The minimum bending radius must not be below the accepted value.
- If using a cable which has been used before, a short piece must be peeled off when refitting it so that the cable entry seal sleeve does not close around the cable at the same point again. If the outer sheath of the cable is damaged, then replace the cable. Contact an Xylem service shop.
- The voltage drop in long cables must be taken into account. The drive unit's rated voltage is the voltage measured at the cable connection point in the pump.
- The screened cable must be used according to the European CE requirements if a Variable Frequency Drive (VFD) is used. For more information, contact your Xylem representative (VFD-supplier).

Earthing (Grounding)



Electrical Hazard:

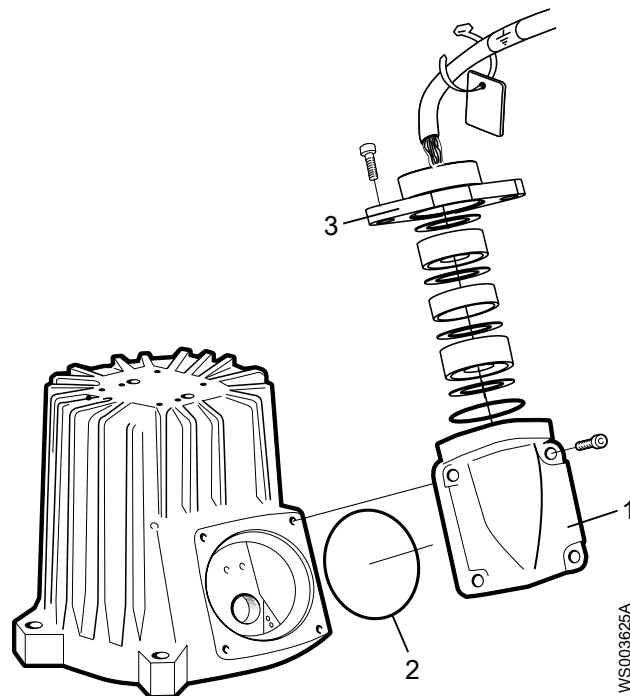
- You must earth (ground) all electrical equipment. This applies to the pump equipment, the driver, and any monitoring equipment. Test the earth (ground) lead to verify that it is connected correctly.
 - If the motor cable is jerked loose by mistake, the earth (ground) conductor should be the last conductor to come loose from its terminal. Make sure that the earth (ground) conductor is longer than the phase conductors. This applies to both ends of the motor cable.
 - Risk of electrical shock or burn. You must connect an additional earth- (ground-) fault protection device to the earthed (grounded) connectors if persons are likely to come into physical contact with the pump or pumped liquids.
-

Connect the motor cable to the pump



CAUTION:

Leakage into the electrical parts can cause damaged equipment or a blown fuse. Keep the end of the motor cable above the liquid level.



1. Entrance cover
2. O-ring
3. Entrance flange

1. Remove the entrance cover and the O-ring from the stator housing.
This provide access to the terminal board/closed end splices.
2. Check the data plate to see which connections are required for the power supply.
3. Arrange the connections on the terminal board/closed end splices in accordance with the required power supply.
4. Connect the mains leads (L1, L2, L3, and earth (ground)) according to applicable cable chart.
The earth (ground) lead must be 50 mm (2.0 in.) longer than the phase leads in the junction box of the unit.
5. Make sure that the pump is correctly connected to earth (ground).
6. Make sure that any thermal contacts incorporated in the pump are properly connected to the terminal block/closed end splices.
7. Install the entrance cover and the O-ring on the stator housing.
8. Fasten the screws on the entrance flange so that the cable insertion assembly bottoms out.

Connect the motor cable to the starter and monitoring equipment



WARNING:

Do not install the starter equipment in an explosive zone unless it is explosion-proof rated.

NOTICE:

- Thermal contacts are incorporated in the pump.
- Thermal contacts must never be exposed to voltages higher than 250 V, breaking current maximum 4 A. It is recommended that they are connected to 24 V over separate fuses to protect other automatic equipment.

1. If thermal contacts are included in the pump installation, connect the T1 and T2 control conductors to the monitoring equipment.

Do not connect the T1 and T2 leads to thermal contacts if the temperature of the pumped liquid is above 40°C (104°F).

NOTICE:

Ex-approved products must always have the thermal contacts connected irrespective of the ambient temperature.

2. Connect the mains leads (L1, L2, L3, and earth [ground]) to the starter equipment.
For information about the phase sequence and the color codes of the leads, see [Cable charts](#) (page 22).
3. Check the functionality of the monitoring equipment:
 - a) Check that the signals and the tripping function work properly.
 - b) Check that the relays, lamps, fuses, and connections are intact.
 Replace any defective equipment.

Cable charts

Description

This topic contains general connection information. It also provides cable charts that show connection alternatives for use with different cables and power supply.

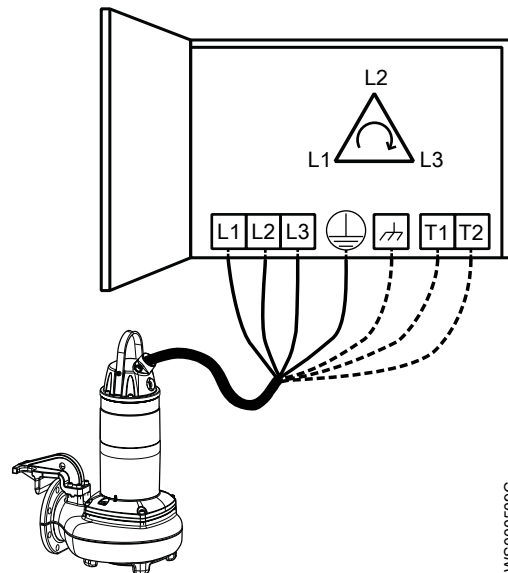
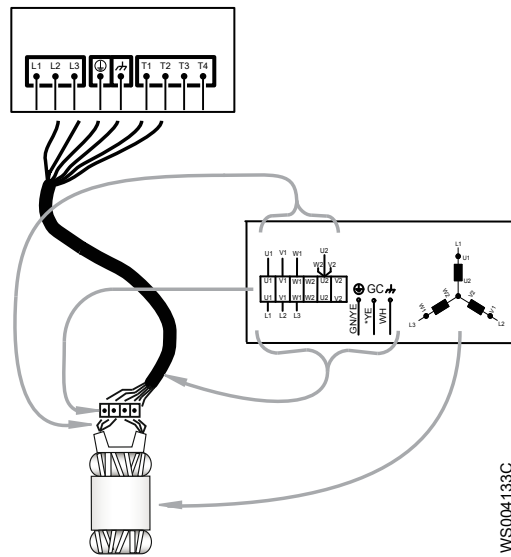


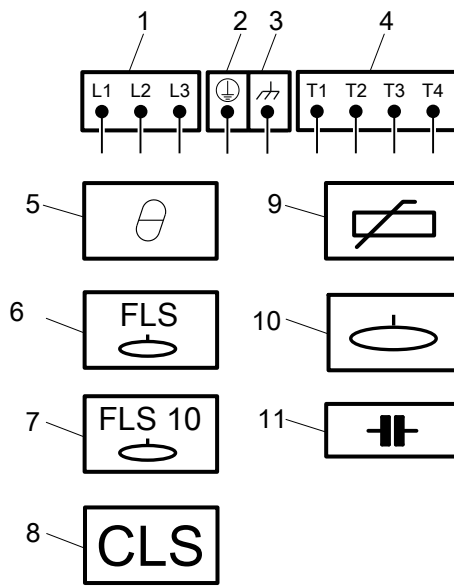
Figure 6: Phase sequence

Connection locations

The figures in this section illustrate how to interpret the connection strip symbols.



WS004133C





1. Starter equipment and mains leads (L1, L2, L3)
2. Earth (ground)
3. Functional ground
4. Control leads (T1, T2, T3, T4)
5. Thermal contact
6. FLS
7. FLS 10
8. CLS
9. Thermistor
10. Level sensor
11. Capacitor

WS004134A

Color code standard

Code	Description
BN	Brown
BK	Black
WH	White
OG	Orange
GN	Green
GNYE	Green-Yellow
RD	Red
GY	Grey
BU	Blue
YE	Yellow

Colors and markings of leads

Motor connection		Mains		SUBCAB 7GX Screenflex 7GX	SUBCAB 4GX Screenflex 4GX	SUBCAB AWG	SUBCAB Screened
		1~	3~				
Colours and marking of main leads		1	L1	BK 1	BN	RD	BN
COLOUR STANDARD BN=Brown BK=Black WH=White OG=Orange GN=Green GN/YE=Green-Yellow RD=Red GY=Grey BU=Blue YE=Yellow *SUBCAB AWG ** Ground Conductor is stranded around cores GC=Ground Check		2	L2	BK 2	BK	BK	BK
		3	L3	BK 3	GY	WH	GY
			L1	BK 4	-	-	-
			L2	BK 5	-	-	-
			L3	BK 6	-	-	-
				GN/YE	GN/YE	GN/YE	**Screen/PE from cores
772 17 00/1			Screen (WH)	Screen (WH)	-	Screen (WH)	
		GC	-	-	YE	-	

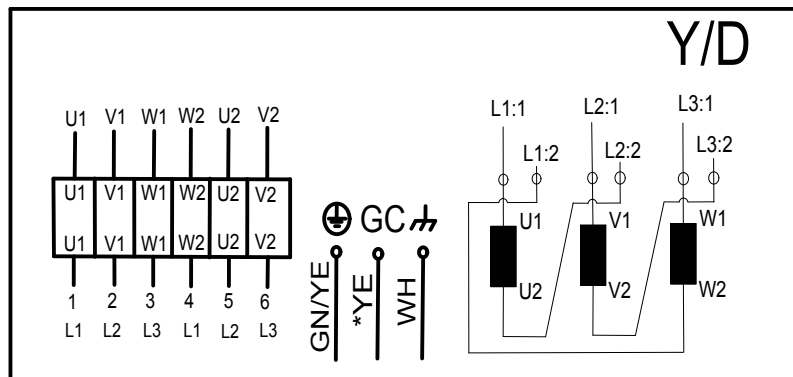
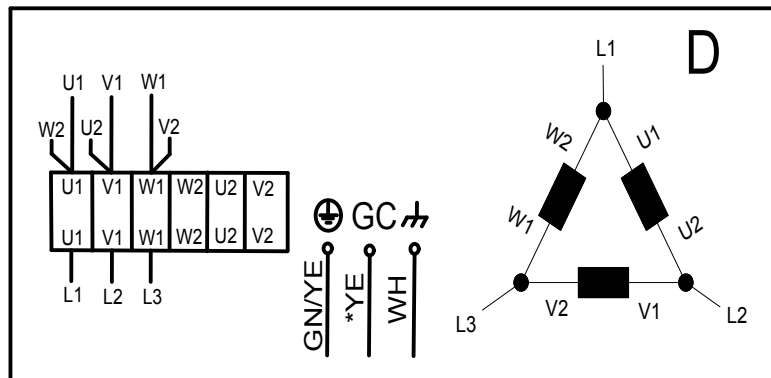
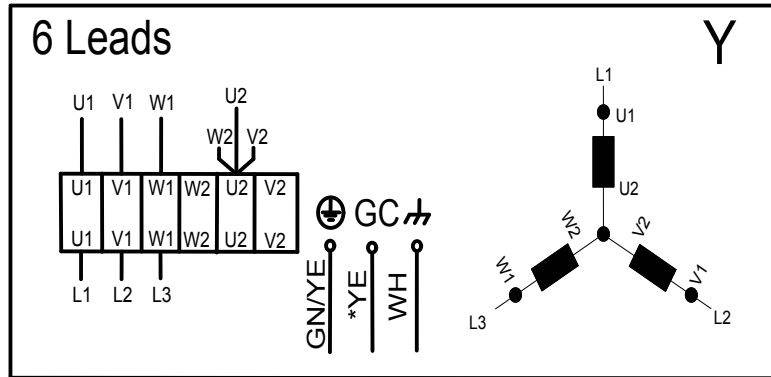
WS004125A

For markings on sensor leads, see [Sensors connection](#) (page 29).

Connections included

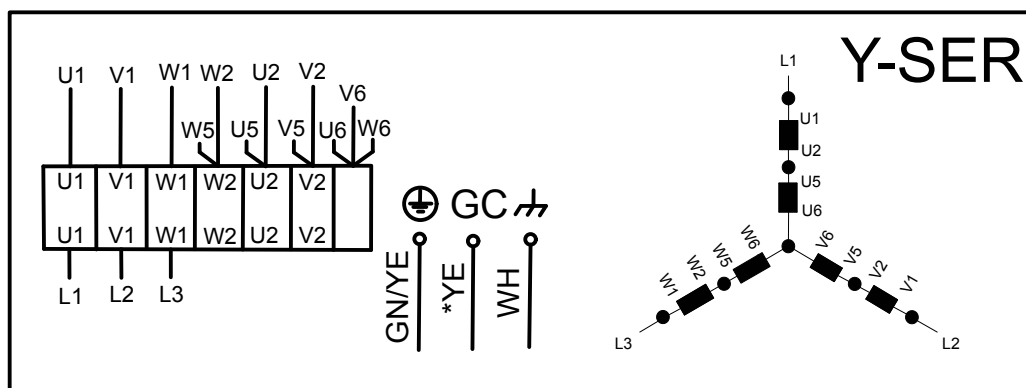
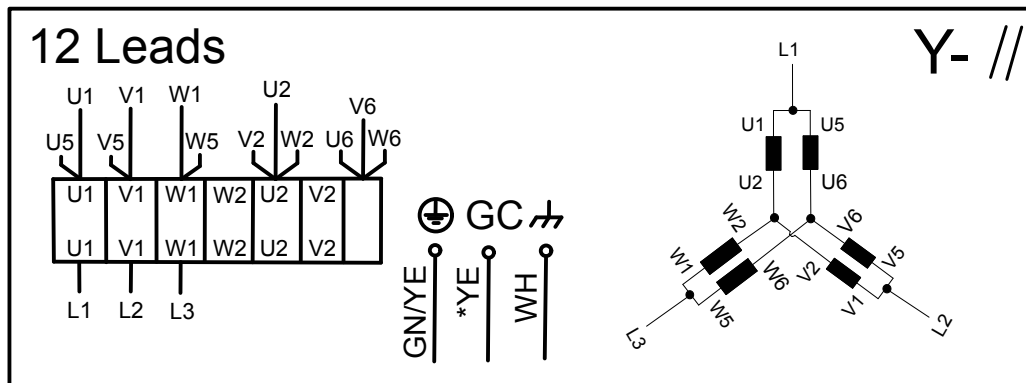
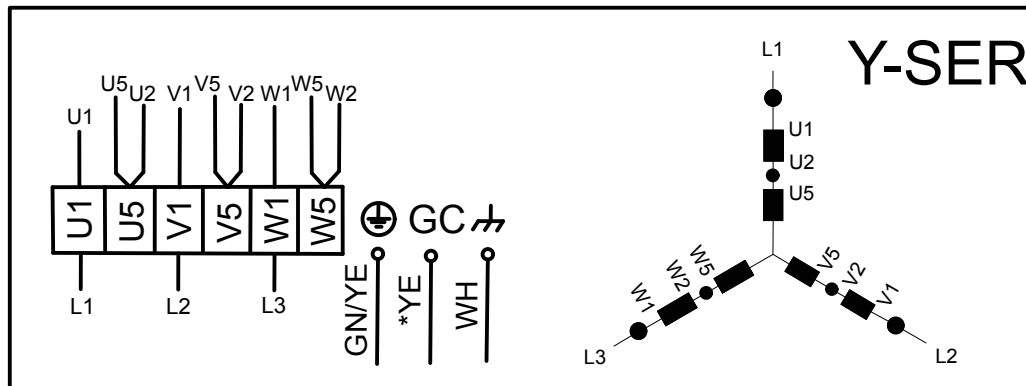
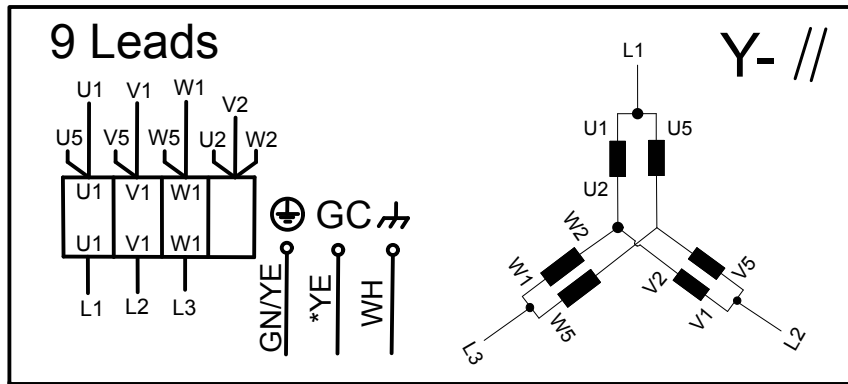
- [3-phase connection](#) (page 25)
- [1-phase connection](#) (page 27)
- [Sensors connection](#) (page 29)
- [Screened cable connection](#) (page 28)

3-phase connection



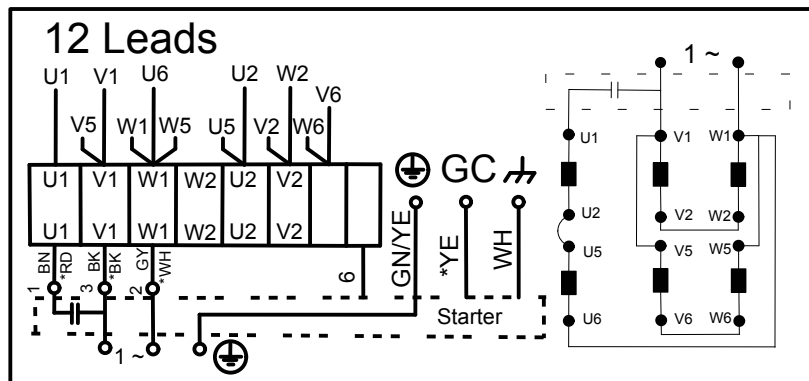
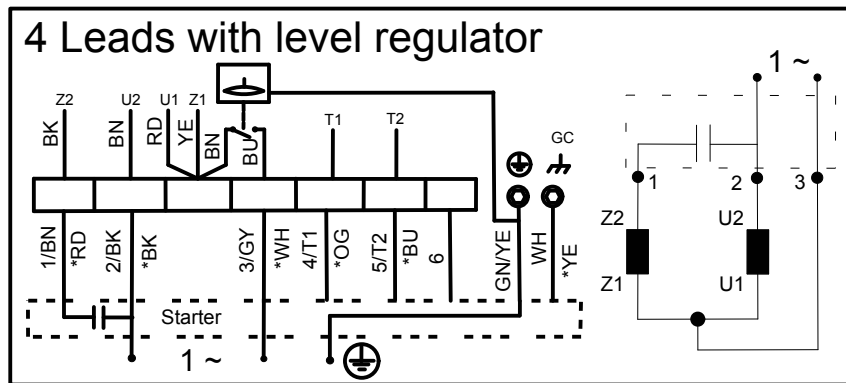
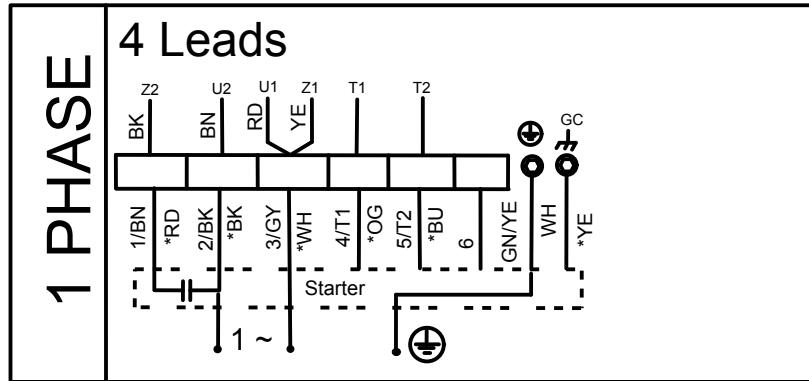
WS004126A

WS004127A



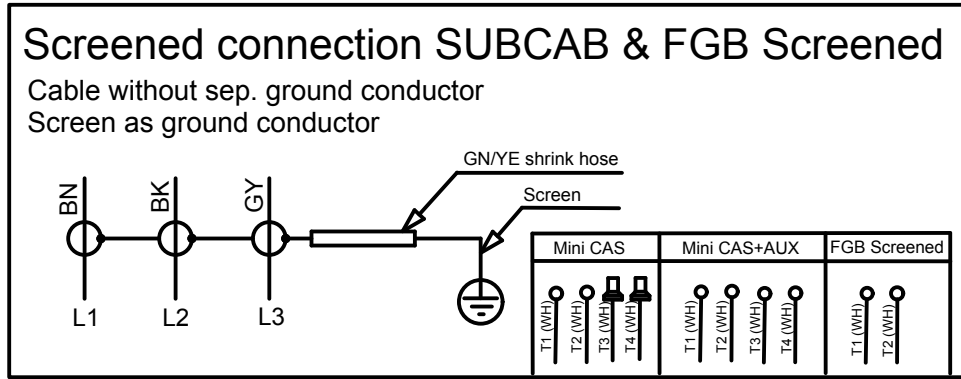
WS004128A

1-phase connection

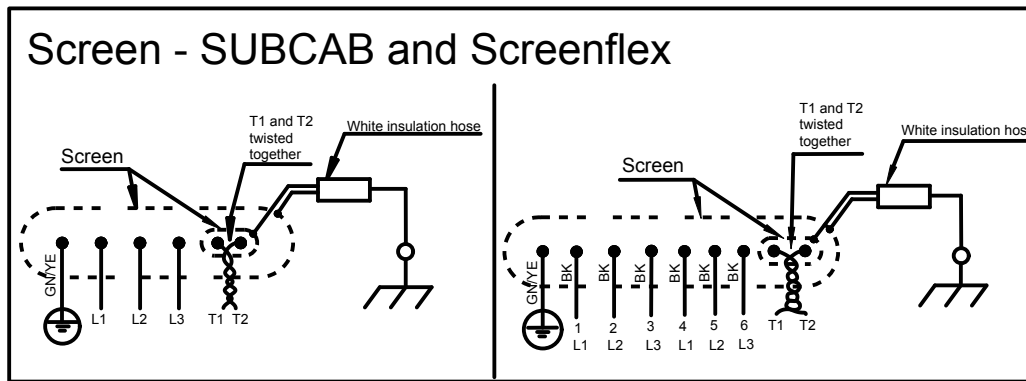


WS004129A

Screened cable connection

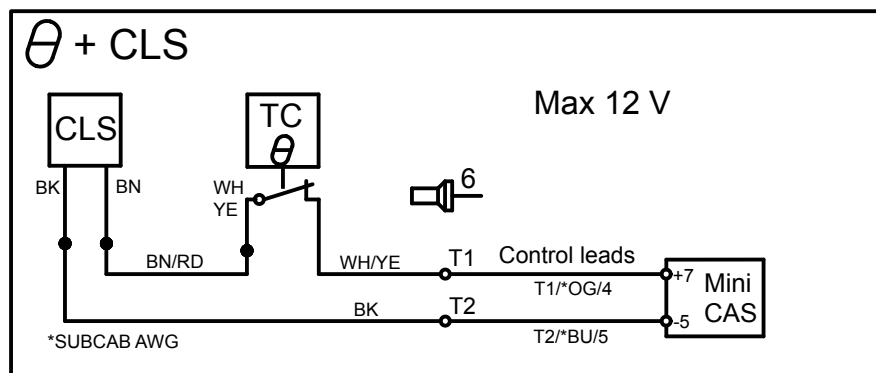
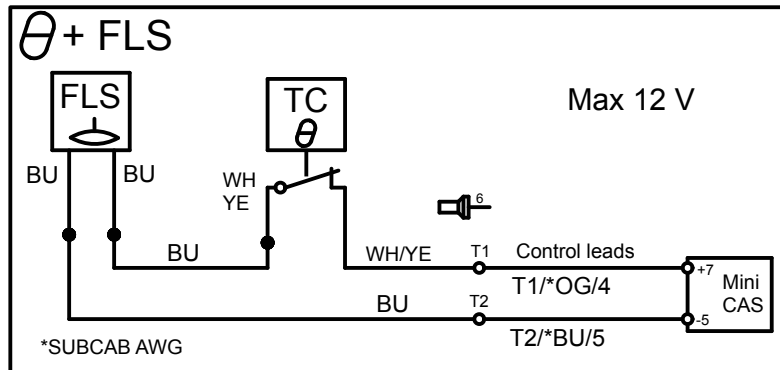
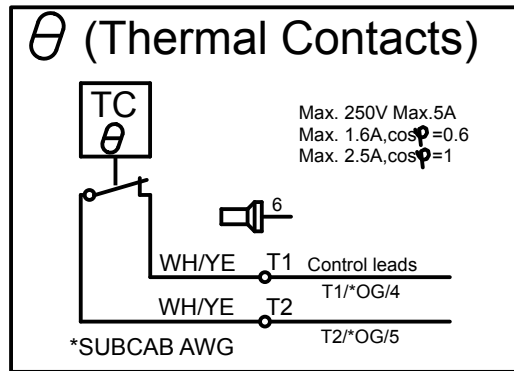


WS004132A

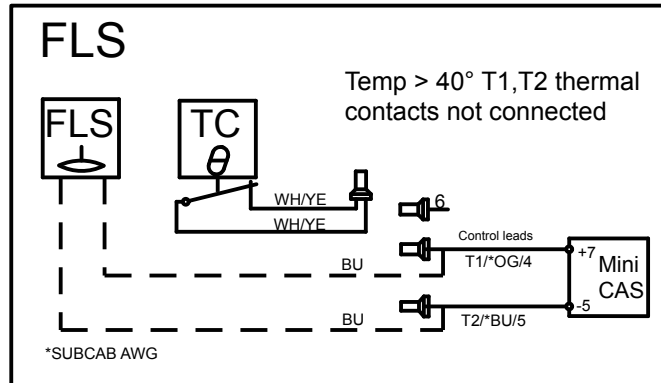
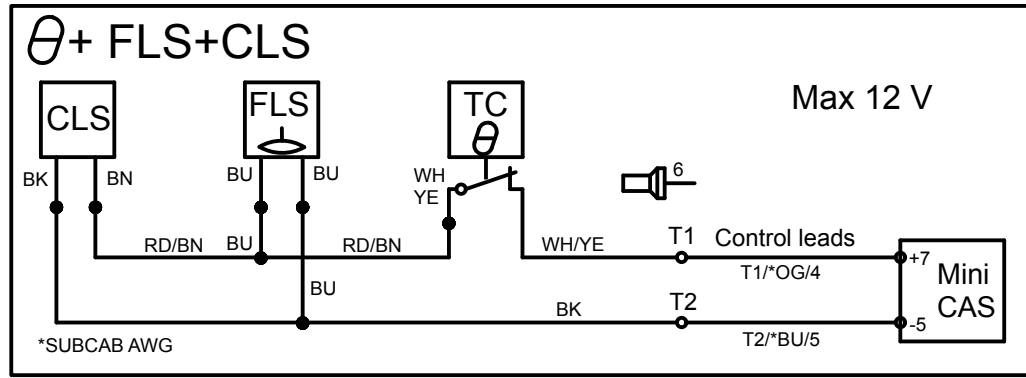


Sensors connection

SENSORS	Control	SUBCAB 7GX & 4GX Screenflex	SUBCAB AWG	SUBCAB screened
	T1	WH T1	OG	WH T1
	T2	WH T2	BU	WH T2
	T3	-	-	WH T3
	T4	-	-	WH T4



WS004130A



WS004131A

Sensor connection characteristics

The values have a 10 % tolerance.

Sensors	Value (mA)	Definition
FLS and thermal contact	0	Overtemperature
	7.8	OK
	36	Leakage
CLS and thermal contact	0	Overtemperature
	5.5	OK
	29	Leakage (5 seconds delay)
CLS, FLS and thermal contact	0	Overtemperature
	13.3	OK
	36-42	Leakage (0/5 seconds delay)

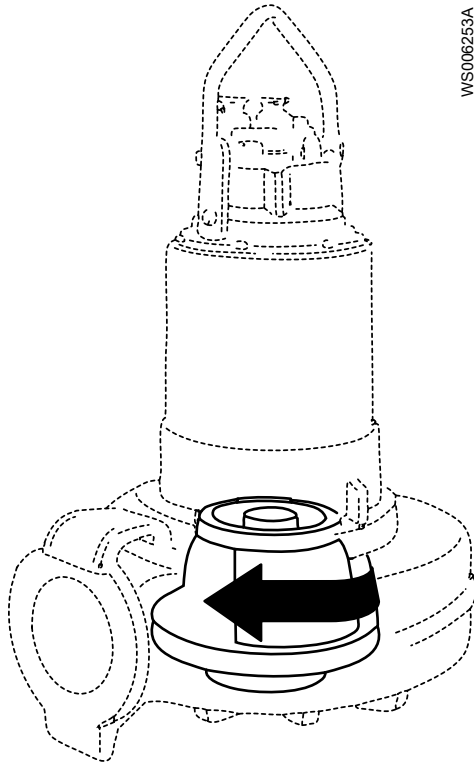
Check the impeller rotation



WARNING:

The starting jerk can be powerful.

1. Start the motor.
2. Stop the motor after a few seconds.
3. Check that the impeller rotates according to this illustration.



WS006253A

The correct direction of impeller rotation is clockwise when you look at the pump from above.

4. If the impeller rotates in the wrong direction, transpose two phase leads (3-phase) and do this procedure again.

Operation

Precautions



WARNING:

- Never operate the pump without safety devices installed.
 - Never operate the pump with the discharge valve closed.
 - Make sure you have a clear path of retreat.
 - Never work alone.
-



CAUTION:

If the pump is equipped with automatic level control and/or internal contactor, there is a risk of sudden restart.

Distance to wet areas



Electrical Hazard:

Risk of electrical shock. Make sure no one gets closer than 20 m (65 ft.) to the unit when being in contact with the pumped or mixed liquid.

Noise level

NOTICE:

The noise level of the product is lower than 70 dB. However, the noise level of 70 dB may be exceeded in some installations and at certain operating points on the performance curve. Make sure that you understand the noise level requirements in the environment where the pump is installed. Failure to do so may result in hearing loss or violation of local laws.

Start the pump



WARNING:

- If you need to work on the pump, make sure that it is isolated from the power supply and cannot be energized.
 - Make sure that the unit cannot roll or fall over and injure people or damage property.
 - In some installations, the pump and the surrounding liquid may be hot. Bear in mind the risk of burn injuries.
 - Make sure nobody is close to the unit when it is started. The unit will jerk in the opposite direction of the impeller rotation.
-

NOTICE:

Make sure that the rotation of the impeller is correct. For more information, see Check the impeller rotation.

1. Check the oil level in the oil housing.
 2. Remove the fuses or open the circuit breaker, and check that the impeller can be rotated freely.
-

3. Conduct insulation test phase to ground. To pass, the value must exceed 5 megohms.
4. Check that the monitoring equipment works.
5. Start the pump.

Maintenance

Precautions



WARNING:

- Always follow safety guidelines when working on the product. See [Introduction and Safety](#) (page 3).
- Disconnect and lock out electrical power before installing or servicing the pump.
- Make sure that the unit cannot roll or fall over and injure people or damage property.
- Rinse the unit thoroughly with clean water before working on the unit.
- Rinse the components in water after dismantling.

Make sure that you follow these requirements:

- Check the explosion risk before you weld or use electrical hand tools.
- Allow all system and pump components to cool before you handle them.
- Make sure that the product and its components have been thoroughly cleaned.
- Do not open any vent or drain valves or remove any plugs while the system is pressurized. Make sure that the pump is isolated from the system and that pressure is relieved before you disassemble the pump, remove plugs, or disconnect piping.

Maintenance guidelines

During maintenance and before reassembly, always remember to perform these tasks:

- Clean all parts thoroughly, particularly O-ring grooves.
- Change all O-rings, gaskets, and seal washers.
- Lubricate all springs, screws, and O-rings with grease.

During reassembly, always make sure that existing index markings are in line.

The reassembled drive unit must always be insulation-tested and the reassembled pump must always be test-run before normal operation.

Torque values

All screws and nuts must be lubricated to achieve correct tightening torque. Screws that are screwed into stainless steel must have the threads coated with suitable lubricants to prevent seizing.

If there is a question regarding the tightening torques, please contact a sales representative.

Screws and nuts

Table 1: Stainless steel, A2 and A4, torque Nm (ft-lbs)

Property class	M4	M5	M6	M8	M10	M12	M16	M20	M24	M30
50	1.0 (0.74)	2.0 (1.5)	3.0 (2.2)	8.0 (5.9)	15 (11)	27 (20)	65 (48)	127 (93.7)	220 (162)	434 (320)
70, 80	2.7 (2)	5.4 (4)	9.0 (6.6)	22 (16)	44 (32)	76 (56)	187 (138)	364 (268)	629 (464)	1240 (915)

Property class	M4	M5	M6	M8	M10	M12	M16	M20	M24	M30
100	4.1 (3)	8.1 (6)	14 (10)	34 (25)	66 (49)	115 (84.8)	248 (183)	481 (355)	–	–

Table 2: Steel, torque Nm (ft-lbs)

Property class	M4	M5	M6	M8	M10	M12	M16	M20	M24	M30
8.8	2.9 (2.1)	5.7 (4.2)	9.8 (7.2)	24 (18)	47 (35)	81 (60)	194 (143)	385 (285)	665 (490)	1310 (966.2)
10.9	4.0 (2.9)	8.1 (6)	14 (10)	33 (24)	65 (48)	114 (84)	277 (204)	541 (399)	935 (689)	1840 (1357)
12.9	4.9 (3.6)	9.7 (7.2)	17 (13)	40 (30)	79 (58)	136 (100)	333 (245)	649 (480)	1120 (825.1)	2210 (1630)

Hexagon screws with countersunk heads

For hexagon socket head screws with countersunk head, maximum torque for all property classes must be 80% of the values for property class 8.8 above.

Change the oil

The following items are needed for this procedure:

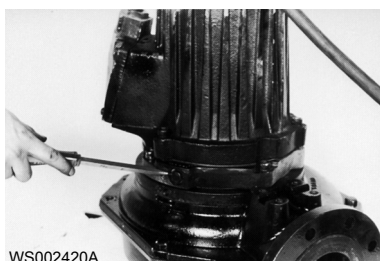
- New oil plugs
- New O-rings
- Oil that should be a medical white oil of paraffin type that fulfills FDA 172.878 (a) and viscosity close to VG32.

1. Place the pump in a horizontal position.
2. Turn the pump so that the oil hole faces downwards.
3. Unscrew the oil plug.

If the pump has a hole with the markings "oil out" it is important that this hole is used for drainage.

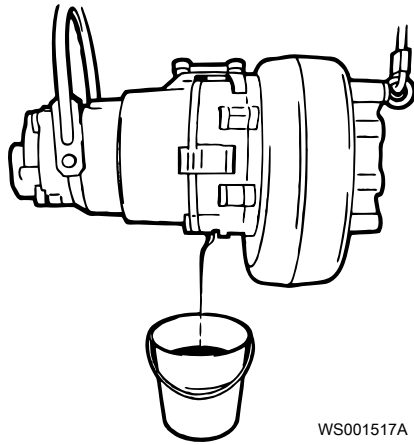
**WARNING:**

The oil housing may be pressurized. Hold a rag over the oil plug to prevent oil from spraying out.



WS002420A

4. Drain the pump.
Unscrew the other oil plug for easier drainage.



5. Fill the housing with new oil.
Quantity: approximately 1 liters (1.1 US quarts)
6. Insert and tighten the new O-rings and plugs.
Tightening torque: 20 Nm (18.8 ft-lbs)

Service the pump

Type of service	Purpose	Inspection interval
Initial inspection	To make a check up of the pump condition by an authorized Xylem service representative and, based on the result and findings from these measures, to determine the intervals for periodical inspection and major overhaul for the specific installation.	Within the first year of operation.
Periodical inspection	To prevent operational interruptions and machine breakdown. Measures to secure performance and pump efficiency are defined and decided for each individual application. It can include such things as impeller trimming, wear part control and replacement, control of zinc-anodes and control of the stator.	Up to twice a year Applies to normal applications and operating conditions at media (liquid) temperatures <40°C.
Major overhaul	To secure a long operating lifetime for the product. It includes replacement of key components and the measures taken during an inspection.	Up to every second year or 10,000 hours, whichever comes first. Applies to normal applications and operating conditions at media (liquid) temperatures <40°C.

NOTICE:

Shorter intervals may be required when the operating conditions are extreme, for example with very abrasive or corrosive applications or when the liquid temperatures exceed 40°C (104°F).

Inspection

Service item	Action
Cable	<ol style="list-style-type: none"> 1. If the outer jacket is damaged, replace the cable. 2. Check that the cables do not have any sharp bends and are not pinched.
Connection to power	Check that the connections are properly tightened.
Electrical cabinets	Check that they are clean and dry.
Impeller	<ol style="list-style-type: none"> 1. Check the impeller clearance. 2. Adjust the impeller, if necessary.
Stator housing	<ol style="list-style-type: none"> 1. Drain all liquid, if any. 2. Check the resistance of the leakage sensor. Normal value approx. 1500 ohms, alarm approx. 430 ohms.
Insulation	<p>Use a megger maximum 1000 V.</p> <ol style="list-style-type: none"> 1. Check that the resistance between the earth (ground) and phase lead is more than 5 megohms. 2. Conduct a phase-to-phase resistance check.
Junction box	Check that it is clean and dry.
Level regulators	Check the condition and functionality.
Lifting device	Check that local safety regulations are followed.
Lifting handle	<ol style="list-style-type: none"> 1. Check the screws. 2. Check the condition of the lifting handle. 3. Replace if necessary.
O-rings	<ol style="list-style-type: none"> 1. Replace the oil plug O-rings. 2. Replace the O-rings at the entrance or junction cover. 3. Grease the new O-rings.
Overload protection and other protections	Check the correct settings.
Personnel safety devices	Check the guard rails, covers, and other protections.
Rotation direction	Check the impeller rotation.
Oil housing	Fill with new oil, if necessary.
Terminal block/closed end splice	Check that the connections are properly tightened.
Thermal contacts	Normally closed circuit; interval 0-1 ohm.
Voltage and amperage	Check the running values.

Major overhaul

For a major overhaul, take this action in addition to the tasks listed under Inspection.

Service item	Action
Support and main bearing	Replace the bearings with new bearings.
Mechanical seal	Replace with new seal units.

Service in case of alarm

For information about indication values for sensors, see [Sensors connection](#) (page 29).

Alarm source	Action
CLS	Check for water in the oil housing. If the oil contains too much water: <ol style="list-style-type: none"> 1. Drain the oil and water. 2. Replace with new oil.
FLS	<ol style="list-style-type: none"> 1. Check for liquid in the stator housing. 2. Drain all liquid, if any. 3. Check the mechanical seal unit, the O-rings, and the cable entry, if liquid was found.
Thermal contact	Check the start and stop levels.
The overload protection	Check that the impeller can rotate freely.

Replace the hydraulic parts

Replace the impeller

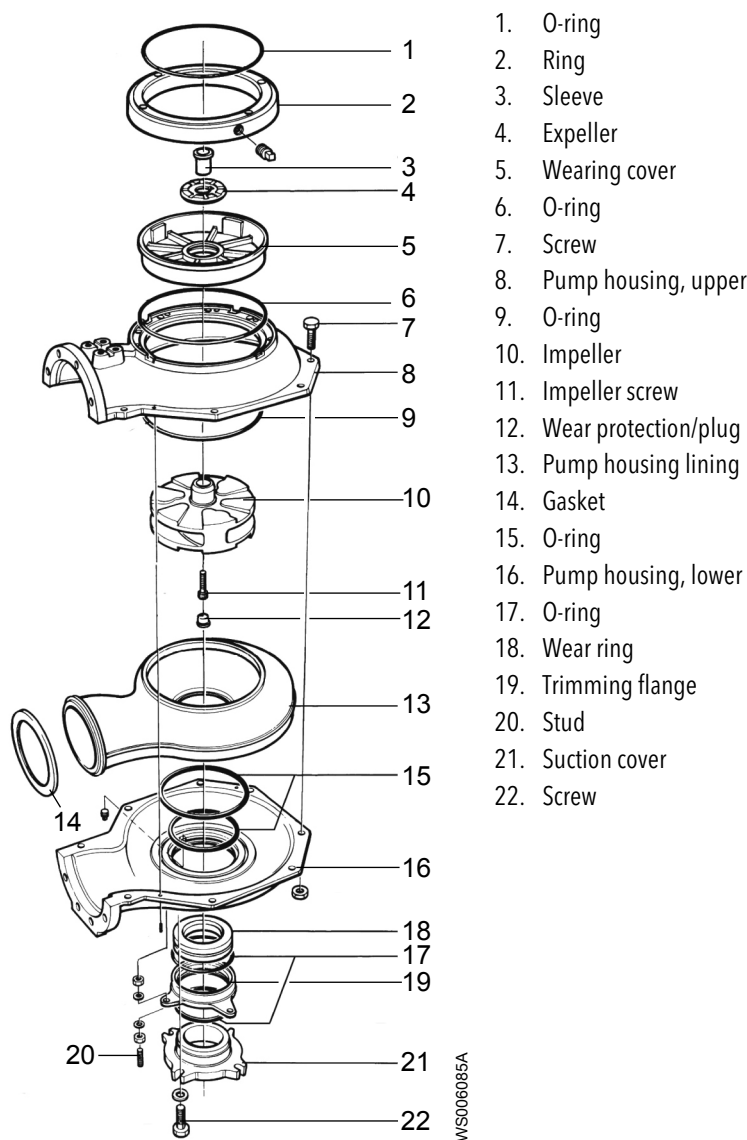
Required tools:

- Impeller puller
If applicable, contact your Xylem representative for correct type and size
- Rod (wooden or plastic) for locking the impeller in place
- Two crowbars, if applicable



WARNING:

- If you fail with the impeller installation, you must redo the installation procedure from the beginning.
- A worn impeller and/or pump housing can have very sharp edges. Wear protective gloves.
- When laying the pump on its side, do not allow the weight of the pump to rest on any portion of the impeller. The impeller must not be allowed to make contact with the concrete floor or other hard and rough surfaces.



WS006085A

Remove the impeller

1. Remove the drive unit from the pump housing:
 - a) Remove the pump housing screws.
 - b) Remove the drive unit from the pump housing.
2. Place the drive unit horizontally.
3. Remove the impeller:
 - a) Remove the wear protection/plug.
 - b) Remove the impeller screw.
If applicable use a rod to lock the impeller in place.
 - c) Remove the washer.
 - d) Remove the impeller.
Use the impeller puller or crowbars. Place a protector between the shaft end and the impeller puller. Do not pry off the impeller, since it can easily be damaged.
4. Remove the wearing cover.
If applicable use a crowbar.
5. Remove the sleeve.

6. Remove the expeller.

Install the impeller

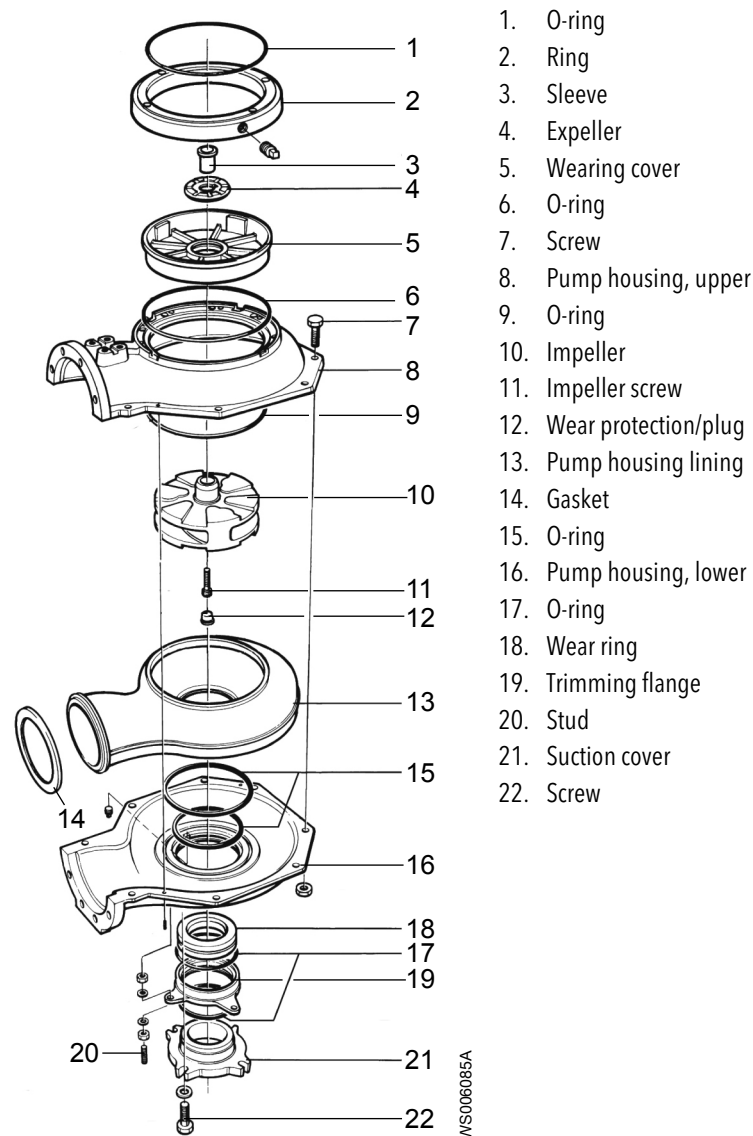
1. Prepare the shaft:
 - a) Make sure that the end of the shaft is free from burrs.
Polish off any flaws with a fine emery cloth.
 - b) Grease the shaft end and the inside of the impeller hub.

NOTICE:

- Do not grease the conical part of the shaft.
 - Surplus grease can cause the impeller to become loose. Remove surplus grease from conical and/or cylindrical surfaces of shafts and/or sleeves.
-

2. Check the clearance:
 - a) Place the wearing cover on the impeller.
 - b) Measure the distance between the outside of the impeller hub and the inside of the wearing cover hole.
If the clearance exceeds 3.0 mm (0.12 in.), the wearing cover must be replaced.
3. Mount the impeller:
 - a) Fit the sleeve onto the shaft.
 - b) Fit the expeller and the wearing cover onto the shaft.
Use a rubber mallet in order to knock the wearing cover in to place.
 - c) Press the impeller onto to the shaft.
4. Fasten the impeller:
 - a) Fit the washer on the impeller screw.
 - b) Fit the impeller screw.
 - c) Tighten the impeller screw.
Tightening torque: 60 Nm (42 ft-lbs.)
 - d) Check that the impeller can rotate freely.
5. Mount the pump housing:
 - a) Make sure the ring is seated against the oil housing.
 - b) Fit the pump housing.
 - c) Fit and tighten the lubricated screws.
For tightening torque, see [Torque values](#) (page 34).
6. Check that the impeller can rotate freely.
Make sure that there is no friction between the impeller and the wear ring and that the clearance is 0.3 mm (0.01in.).

Replace the wear parts

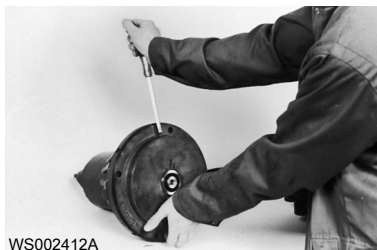


Remove the wear parts

The pump housing and the impeller have to be removed before the wear parts can be removed. For more information, see [Remove the impeller](#) (page 39).

1. Remove the wearing cover and the expeller.

Use a crowbar, if applicable.

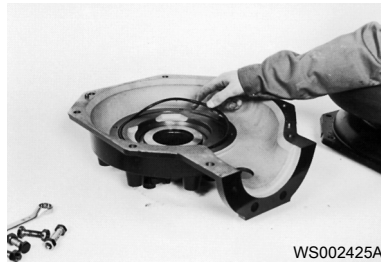


2. Remove the gasket from the pump housing outlet.
3. Remove the lining from the pump housing:

- a) Undo the screws that keep the pump housing parts together.
- b) Use two crowbars in order to separate the two pump housing parts.



- c) Lift off the upper part of the pump housing.
 - d) Remove the lining from the lower part.
4. Remove the O-rings from both parts of the pump housing.



5. Turn the lower part of the pump housing upside down.
6. Remove the suction cover:
 - a) Unscrew the suction cover screws.
 - b) Remove the suction cover.
Use two crowbars if needed.



7. Remove the trimming flange unit (trimming flange and wear ring) and its two O-rings.
8. Remove the O-ring on the inside of the pump housing.

Install the wear parts

1. Make sure all parts are clean and free of burrs.
Polish off any flaws with a fine emery cloth.
2. Fit the expeller, wearing cover and the impeller. For more information, see [Install the impeller](#) (page 40).
3. Fit the inner lining:
 - a) Fit the new greased O-rings to the lower part of the pump housing.



- b) Fit the pump housing lining in the lower part of the pump housing.
4. Assemble the pump housing:
- a) Place the upper part of the pump housing on the lower part.
Make sure to leave some distance between the parts in order to fit the new greased O-ring.
- b) Fit the new greased O-ring between the upper pump housing part and the inner lining.
Use a screwdriver in order to lift the upper pump housing part which makes it easier to fit the new greased O-ring.



- c) Fit the gasket to the discharge outlet.
Make sure the gasket is fitted correctly to ensure that no leaks will occur.
- d) Fit the screws that hold the pump housing together and tighten.
For tightening torque, see [Torque values](#) (page 34).
5. Fit the drive unit in the pump housing:
- a) Fit the new greased O-ring on the top of the pump housing.
- b) Place the drive unit in the pump housing.
- c) Grease the pump housing screws.
- d) Tighten the screws in a diagonal sequence.
For tightening torque, see [Torque values](#) (page 34).
6. Install the trimming flange unit:
- a) Place the pump in a horizontal position.
- b) Fit a washer to each stud.
- c) Fit the trimming flange unit and its two new greased O-rings.
- d) Fit a washer to each stud.
- e) Fit a nut to each stud.
- f) Tighten the trimming flange nuts.
For tightening torque, see [Torque values](#) (page 34).
7. Adjust the trimming flange unit:
- a) Measure the distance between the impeller and the trimming flange unit.
The correct distance is 0.3 mm (0.01 in.).
- b) Adjust the nuts along the studs to achieve the correct distance.
- c) Tighten the trimming flange nuts.
For tightening torque, see [Torque values](#) (page 34).
8. Install the suction cover:

- a) Fit the suction cover.
- b) Fit a washer on each suction cover screw and tighten.
Tightening torque: 60 Nm (44 ft-lbs)

Troubleshooting

Introduction

Follow these guidelines when troubleshooting the pump:

- Disconnect and lock out the power supply except when conducting checks that require voltage.
- Make sure that no one is near the pump when the power supply is reconnected.
- When troubleshooting electrical equipment, use the following:
 - Universal instrument multimeter
 - Test lamp (continuity tester)
 - Wiring diagram

The pump does not start



WARNING:

Always disconnect and lock out power before servicing to prevent unexpected startup. Failure to do so could result in death or serious injury.

NOTICE:

Do NOT override the motor protection repeatedly if it has tripped. Doing so may result in equipment damage.

Cause	Remedy
An alarm signal has been triggered on the control panel.	Check that: <ul style="list-style-type: none"> • The impeller rotates freely. • The sensor indicators do not indicate an alarm. • The overload protection is not tripped. If the problem still persists: Contact the local Xylem service shop.
The pump does not start automatically, but can be started manually.	Check that: <ul style="list-style-type: none"> • The start level regulator is functioning. Clean or replace if necessary. • All connections are intact. • The relay and contactor coils are intact. • The control switch (Man/Auto) makes contact in both positions. Check the control circuit and functions.
The installation is not receiving voltage.	Check that: <ul style="list-style-type: none"> • The main power switch is on. • There is control voltage to the start equipment. • The fuses are intact. • There is voltage in all phases of the supply line. • All fuses have power and that they are securely fastened to the fuse holders. • The overload protection is not tripped. • The motor cable is not damaged.
The impeller is stuck.	Clean:

Cause	Remedy
	<ul style="list-style-type: none"> • The impeller • The sump in order to prevent the impeller from clogging again.

If the problem persists, refer to the Flygt Service Guide on the web or contact the local Xylem service shop. Always state the serial number of your pump when you contact Xylem, see [Product Description](#) (page 10).

The pump does not stop when a level sensor is used



WARNING:

Always disconnect and lock out power before servicing to prevent unexpected startup. Failure to do so could result in death or serious injury.

Cause	Remedy
The pump is unable to empty the sump to the stop level.	Check that: <ul style="list-style-type: none"> • There are no leaks from the piping and/or discharge connection. • The impeller is not clogged. • The non-return valve(s) are functioning properly. • The pump has adequate capacity. For information: Contact the local Xylem service shop.
There is a malfunction in the level-sensing equipment.	<ul style="list-style-type: none"> • Clean the level regulators. • Check the functioning of the level regulators. • Check the contactor and the control circuit. • Replace all defective items.
The stop level is set too low.	Raise the stop level.

If the problem persists, refer to the Flygt Service Guide on the web or contact the local Xylem service shop. Always state the serial number of your pump when you contact Xylem, see [Product Description](#) (page 10).

The pump starts-stops-starts in rapid sequence

Cause	Remedy
The pump starts due to back-flow which fills the sump to the start level again.	Check that: <ul style="list-style-type: none"> • The distance between the start and stop levels is sufficient. • The non-return valve(s) work(s) properly. • The length of the discharge pipe between the pump and the first non-return valve is sufficiently short.
The self-holding function of the contactor malfunctions.	Check: <ul style="list-style-type: none"> • The contactor connections. • The voltage in the control circuit in relation to the rated voltages on the coil. • The functioning of the stop-level regulator. • Whether the voltage drop in the line at the starting surge causes the contactor's self-holding malfunction.

If the problem persists, refer to the Flygt Service Guide on the web or contact the local Xylem service shop. Always state the serial number of your pump when you contact Xylem, see [Product Description](#) (page 10).

The pump runs but the motor protection trips



WARNING:

Always disconnect and lock out power before servicing to prevent unexpected startup. Failure to do so could result in death or serious injury.

NOTICE:

Do NOT override the motor protection repeatedly if it has tripped. Doing so may result in equipment damage.

Cause	Remedy
The motor protection is set too low.	Set the motor protection according to the data plate and if applicable the cable chart.
The impeller is difficult to rotate by hand.	<ul style="list-style-type: none"> • Clean the impeller. • Clean out the sump. • Check that the impeller is properly trimmed.
The drive unit is not receiving full voltage on all three phases.	<ul style="list-style-type: none"> • Check the fuses. Replace fuses that have tripped. • If the fuses are intact, notify a certified electrician.
The phase currents vary, or they are too high.	Contact the local Xylem service shop.
The insulation between the phases and ground in the stator is defective.	<ol style="list-style-type: none"> 1. Use an insulation tester. With a 1000 V DC megger, check that the insulation between the phases and between any phase and ground is > 5 megohms. 2. If the insulation is less: Contact the local Xylem service shop.
The density of the pumped fluid is too high.	Make sure that the maximum density is 1100 kg/m ³ (9.2 lb/US gal) <ul style="list-style-type: none"> • Change the impeller, or • Change to a more suitable pump. • Contact the local Xylem service shop.
There is a malfunction in the overload protection.	Replace the overload protection.

If the problem persists, refer to the Flygt Service Guide on the web or contact the local Xylem service shop. Always state the serial number of your pump when you contact Xylem, see [Product Description](#) (page 10).

The pump delivers too little or no water



WARNING:

Always disconnect and lock out power before servicing to prevent unexpected startup. Failure to do so could result in death or serious injury.

NOTICE:

Do NOT override the motor protection repeatedly if it has tripped. Doing so may result in equipment damage.

Cause	Remedy
The impeller rotates in the wrong direction.	<ul style="list-style-type: none"> • If it is a 3-phase pump, transpose two phase leads. • If it is a 1-phase pump: Contact the local Xylem service shop.
One or more of the valves are set in the wrong positions.	<ul style="list-style-type: none"> • Reset the valves that are set in the wrong position. • Replace the valves, if necessary. • Check that all valves are correctly installed according to media flow. • Check that all valves open correctly.
The impeller is difficult to rotate by hand.	<ul style="list-style-type: none"> • Clean the impeller. • Clean out the sump. • Check that the impeller is properly trimmed.
The pipes are obstructed.	Clean out the pipes to ensure a free flow.
The pipes and joints leak.	Find the leaks and seal them.
There are signs of wear on the impeller, pump, and casing.	Replace the worn parts.
The liquid level is too low.	<ul style="list-style-type: none"> • Check that the level sensor is set correctly. • Depending on the installation type, add a means for priming the pump, such as a foot valve.

If the problem persists, refer to the Flygt Service Guide on the web or contact the local Xylem service shop. Always state the serial number of your pump when you contact Xylem, see [Product Description](#) (page 10).

Technical Reference

Motor data

Feature	Description
Motor type	
Frequency	50 or 60 Hz
Supply	3-phase
Starting method	<ul style="list-style-type: none"> • Direct on-line • Star-delta
Maximum starts per hour	30 evenly spaced starts per hour
Code compliance	IEC 60034-1
Rated output variation	±5%
Voltage variation without overheating	±10%, provided that it does not run continuously at full load
Voltage imbalance tolerance	2%
Stator insulation class	H (180°C [360°F])

Application limits

Data	Description
Liquid temperature	40°C (104°F) maximum The pump must work fully submerged under full load operation. Warm-liquid version : 70°C (158°F) maximum. These versions have certain operating limitations which are stated on the plate on the pump.
Liquid density	Contact the local Xylem representative
pH of the pumped media (liquid)	5.5-14
Depth of immersion	20 m (65 ft) maximum
Other	For the specific weight, current, voltage, power ratings, and speed of the pump, see the data plate of the pump.

Xylem |'zīləm|

- 1) The tissue in plants that brings water upward from the roots
- 2) A leading global water technology company

We're 12,500 people unified in a common purpose: creating innovative solutions to meet our world's water needs. Developing new technologies that will improve the way water is used, conserved, and re-used in the future is central to our work. We move, treat, analyze, and return water to the environment, and we help people use water efficiently, in their homes, buildings, factories and farms. In more than 150 countries, we have strong, long-standing relationships with customers who know us for our powerful combination of leading product brands and applications expertise, backed by a legacy of innovation.

For more information on how Xylem can help you, go to xylem.com



Xylem Water Solutions AB
Gesällvägen 33
174 87 Sundbyberg
Sweden
Tel. +46-8-475 60 00
Fax +46-8-475 69 00
<http://tpi.xylem.com>

Visit our Web site for the latest version of this document and more information

The original instruction is in English. All non-English instructions are translations of the original instruction.

© 2011 Xylem Inc.