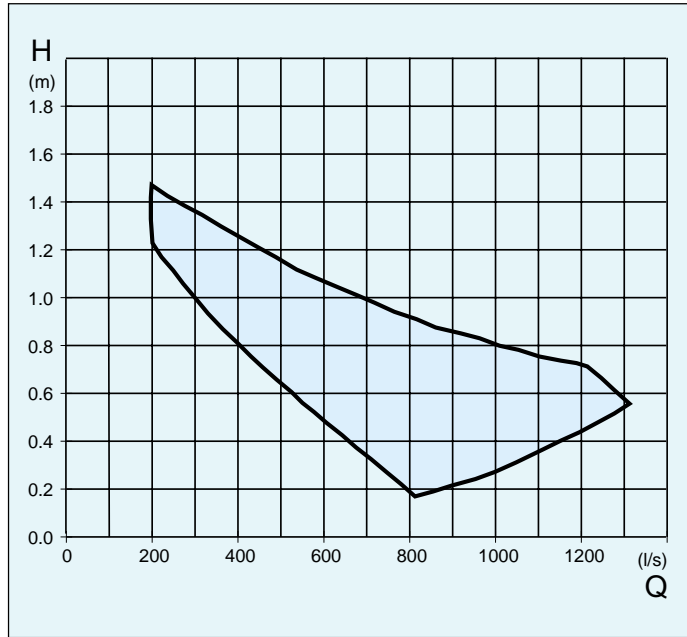
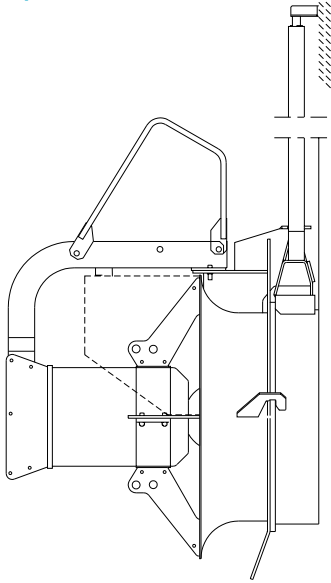


PP 4670

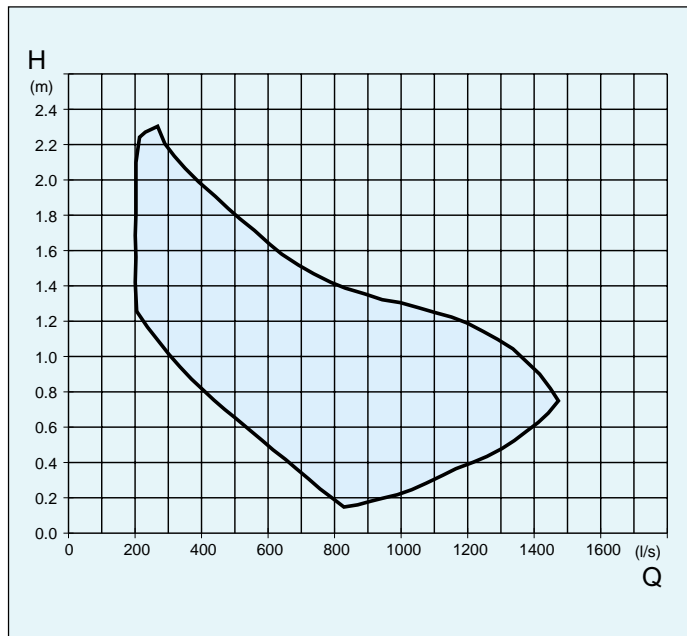
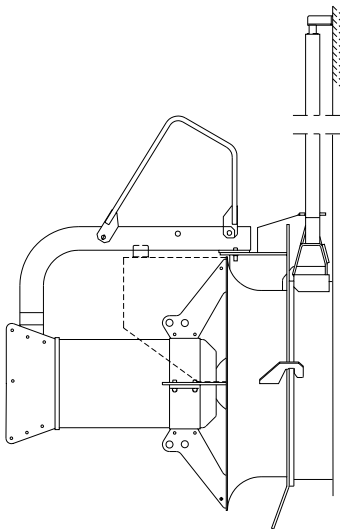
3-phase



Max. power, input	17.1 kW
Rated power, output	13 kW
Speed	360* r/min
Weight	395 kg

PP 4680

3-phase



Max. power, input	32 kW
Rated power, output	25 kW
Speed	360* r/min
Weight	516 kg

*400V