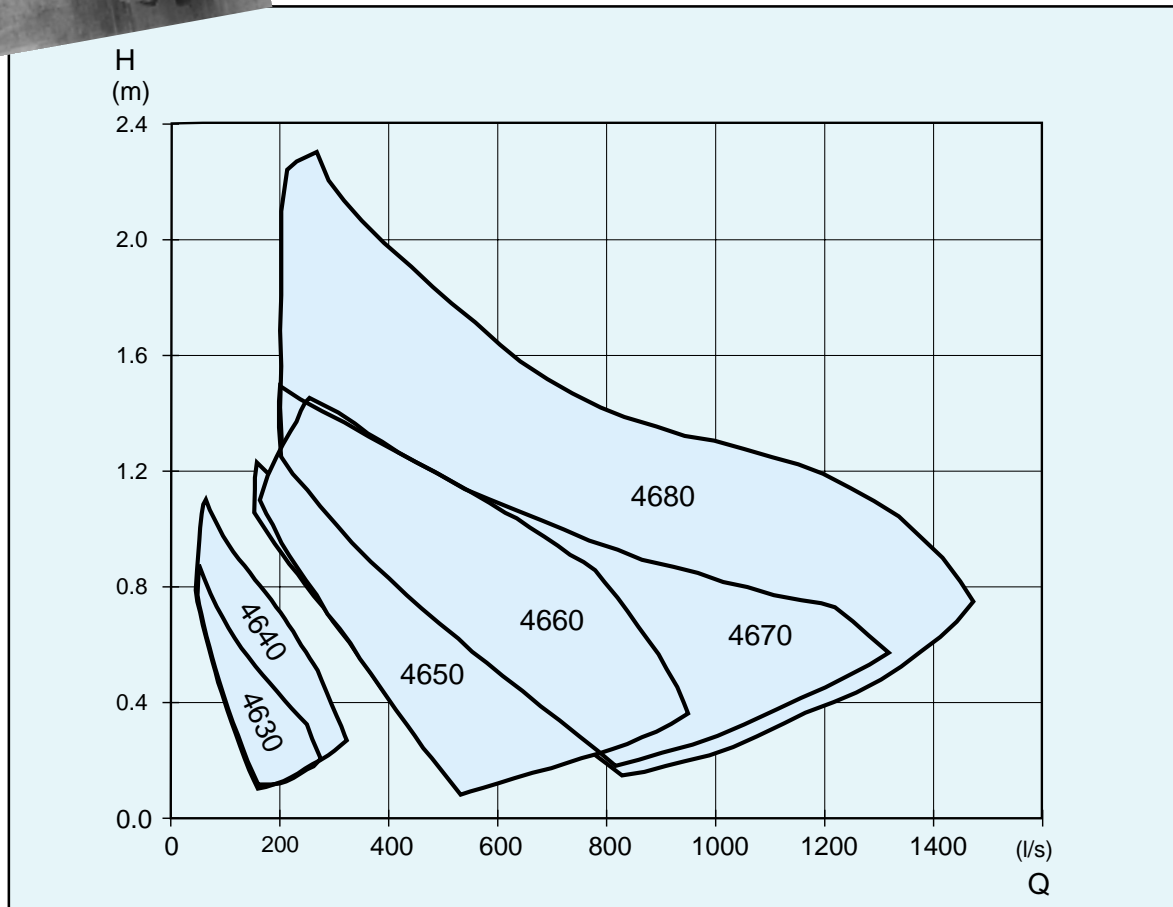
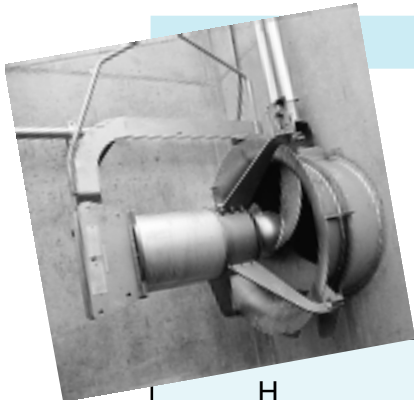


PP 4600

PROPELLER-PUMPS • 50 Hz

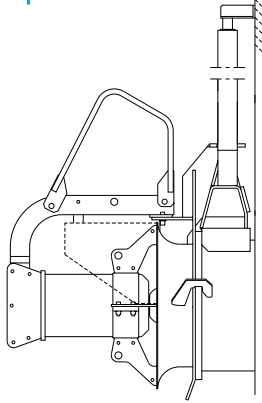


The 4600 propeller pump is designed for applications requiring very large capacity at ultra low head.

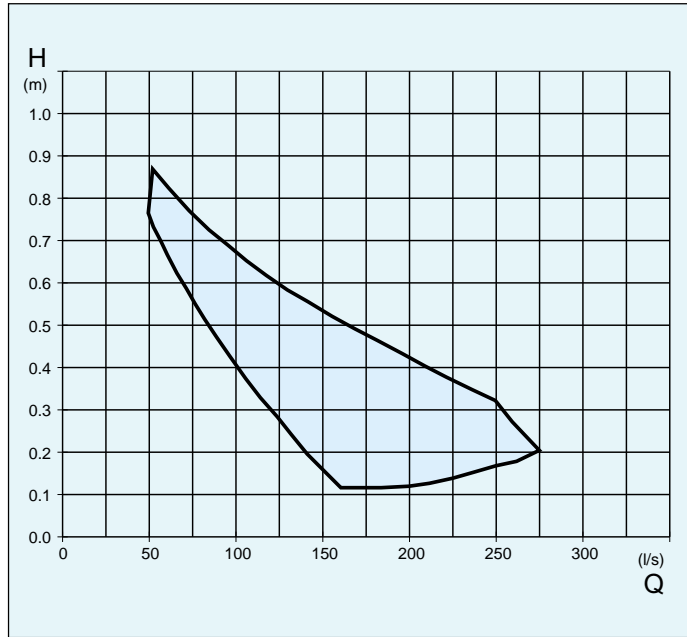


PP 4630

3-phase

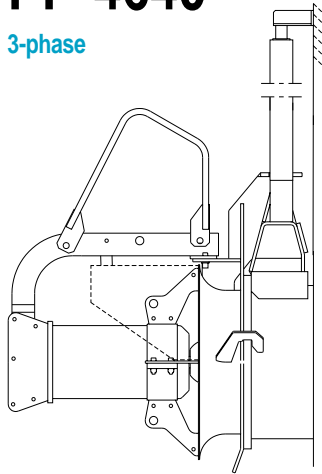


Max. power, input	2.1kW
Rated power, output	1.5kW
Speed	750* r/min
Weight	77 kg

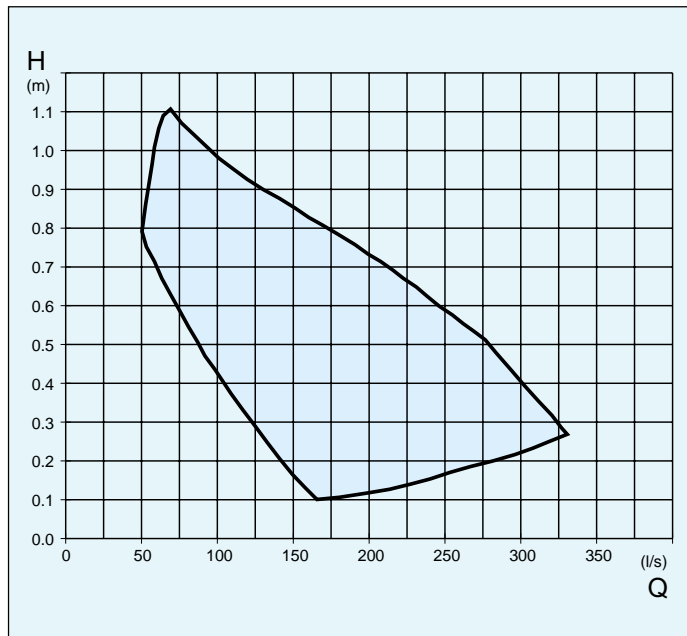


PP 4640

3-phase



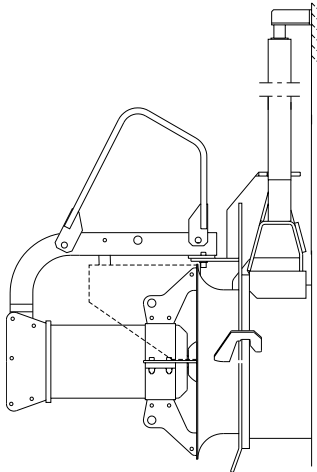
Max. power, input	3.4kW
Rated power, output	2.5kW
Speed	705* r/min
Weight	83 kg



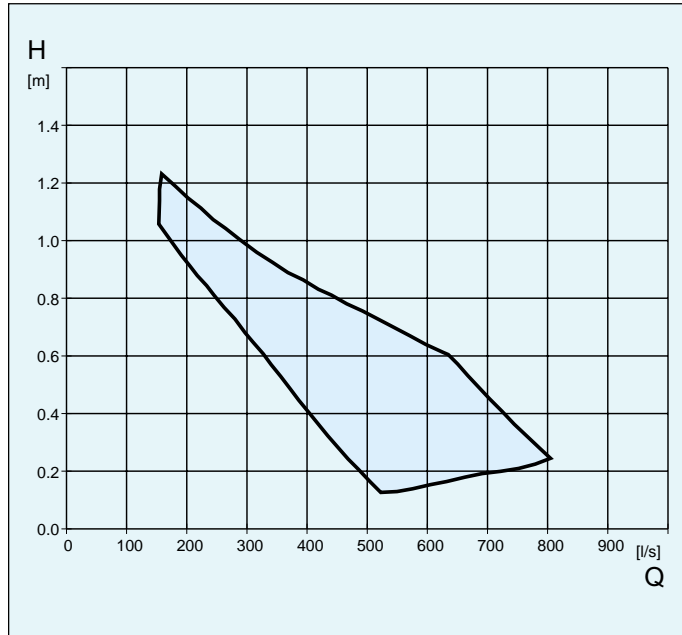
*400V

PP 4650

3-phase

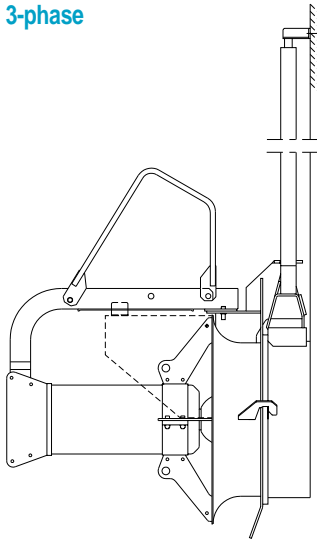


Max. power, input	6.9 kW
Rated power, output	5 kW
Speed	480* r/min
Weight	196 kg

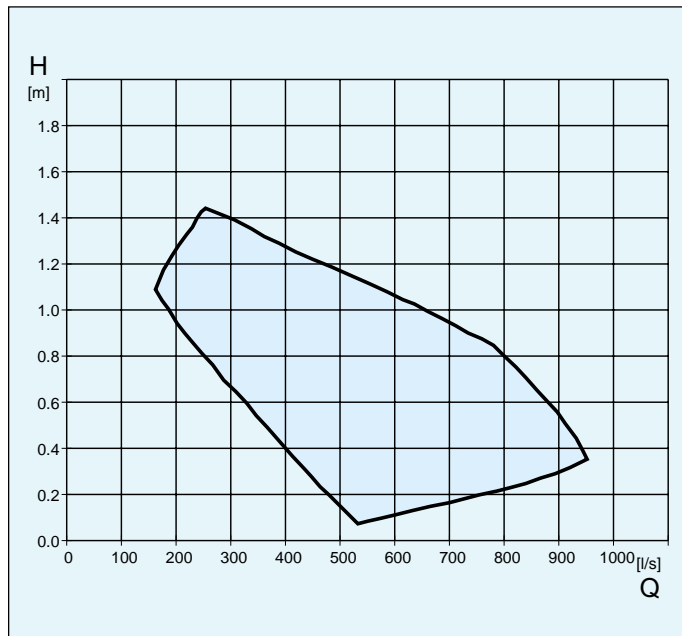


PP 4660

3-phase



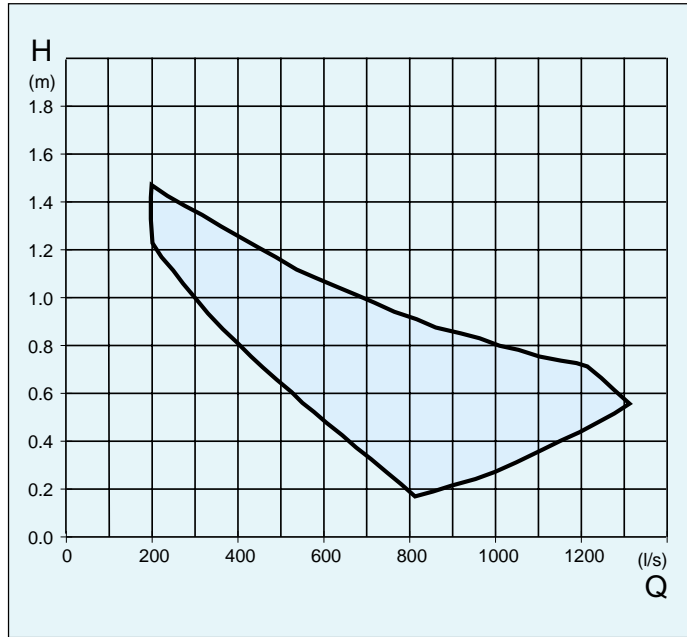
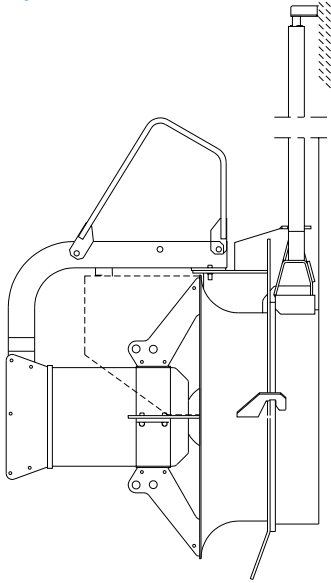
Max. power, input	13.4kW
Rated power, output	10 kW
Speed	475* r/min
Weight	242 kg



*400V

PP 4670

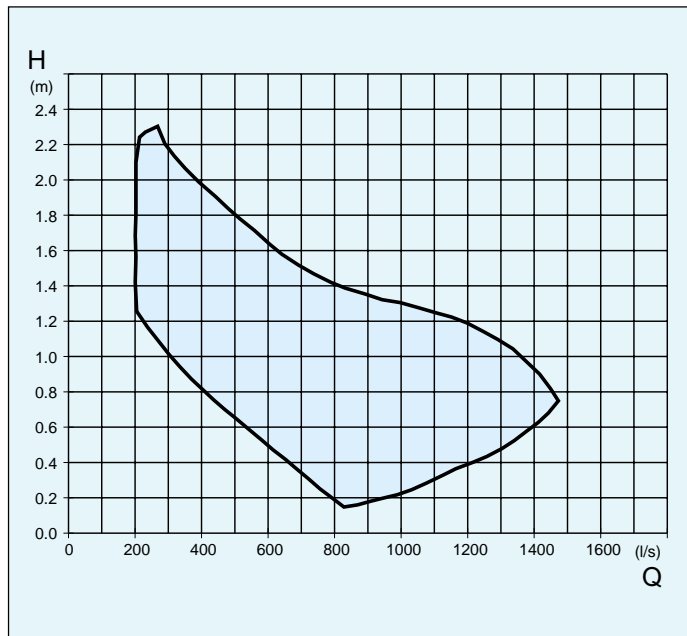
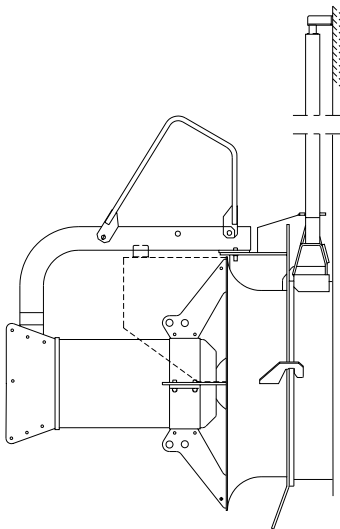
3-phase



Max. power, input	17.1 kW
Rated power, output	13 kW
Speed	360* r/min
Weight	395 kg

PP 4680

3-phase



Max. power, input	32 kW
Rated power, output	25 kW
Speed	360* r/min
Weight	516 kg

*400V