



Flygt 3127, 50Hz

Table of Contents

C-pump, Standard Motor	2
Product description.....	2
Motor rating and performance curves.....	4
D-pump	8
Product description.....	8
Motor rating and performance curves.....	10
F-pump, Standard Motor	13
Product description.....	13
Motor rating and performance curves 3127.181/.090.....	16
Motor rating and performance curves 3127.350/.390.....	16
H-pump	20
Product description.....	20
Motor rating and performance curves.....	22
L-pump	24
Product description.....	24
Motor rating and performance curves.....	26
M-pump	28
Product description.....	28
Motor rating and performance curves.....	30
N-pump, Standard Motor	32
Product description.....	32
Motor rating and performance curves.....	34
P-pump	39
Product description.....	39
Motor rating and performance curves.....	41
Dimensions and Weight	42
Drawings, C-pump.....	42
Drawings, D-pump.....	49
Drawings, F-pump.....	50
Drawings, H-pump.....	54
Drawings, L-pump.....	55
Drawings, M-pump.....	56
Drawings, N-pump.....	56
Drawings, P-pump.....	63

C-pump, Standard Motor

Product description

Usage

Submersible pump for pumping clean water, surface water and waste water containing solids or fibred material.

Denomination

Type	Non explosion proof version	Explosion proof version	Pressure class	Installation types
Standard	3127.181	3127.090	<ul style="list-style-type: none"> • LT – Low head • MT – Medium head • HT – High head 	P, S, T, Z

The pump can be used in the following installations:

- P** Semi permanent, wet well arrangement with pump installed on two guide bars with automatic connection to discharge.
- S** Portable semi permanent, wet well arrangement with hose coupling or flange for connection to discharge pipeline.
- T** Vertical permanent, dry well arrangement with flange connection to suction and discharge piping.
- Z** Horizontal permanent, dry well arrangement with flange connection to suction and discharge piping.

Application Limits

Feature	Description
Liquid temperature	Maximum 40°C, (104°F)
Liquid temperature, warm water version	Maximum 70°C, (158°F)
Depth of immersion	Maximum 20 m (65 ft)
pH of the pumped liquid	5.5 - 14
Liquid density	Maximum 1100 kg/m ³

Motor data

Feature	Description
Motor type	Squirrel-cage induction motor
Frequency	50 Hz
Power supply	3-phase
Starting method	<ul style="list-style-type: none"> • Direct on-line • Star-delta
Number of starts per hour	Maximum 30
Code compliance	IEC 60034-1

Feature	Description
Rated output variation	±10%
Voltage variation	<ul style="list-style-type: none"> Continuously running: Maximum ±5% Intermittent running: Maximum ±10%
Voltage imbalance between phases	Maximum 2%
Insulation class	H (180°C, 356°F)

Cables

Application	Type	Denomination
Direct-on-line start	SUBCAB® heavy-duty submersible cable	4G2.5 mm ² 4G2.5+2×1.5 mm ² 4G4 mm ² 4G4+2×1.5 mm ²
Y/D start	SUBCAB® heavy-duty submersible cable	7G2.5 mm ² 7G2.5+2×1.5 mm ² 7G4 mm ² 7G4+2×1.5 mm ²
	NSSHÖU../3E+St	3x2.5+3x2.5/3E+3x1.5 St

Monitoring Equipment

Thermal contacts opening temperature 125° C (257° F)

Materials

Denomination	Material	ASTM	EN
Major castings	Cast iron, gray	35B	GJL-250
Pump housing	Cast iron, gray	35B	GJL-250
Impeller, alternative 1	Cast iron, gray	35B	GJL-250
Impeller, alternative 2	Cast iron, gray	30B	GJL-200
Impeller, alternative 3	Cast iron, Hard-Iron™	A 532 IIIA	GJN-HB555(XCR23)
Suction cover, alternative 1	Cast iron, gray	30B	GJL-200
Suction cover, alternative 2	Nitrile rubber (NBR)	-	-
Wear ring, alternative 1	Nitrile rubber (NBR)	-	-
Wear ring, alternative 2	Bronze	C924	CC491K, CC492K
Lifting handle	Stainless steel	AISI 316L	1.4404, 1.4432, ...
Shaft	Stainless steel	AISI 431	1.4057+QT800
Screws and nuts	Stainless steel, A4	AISI 316L, 316, 316Ti	1.4401, 1.4404, ...
O-rings, alternative 1	Nitrile rubber (NBR) 70° IRH	-	-
O-rings, alternative 2	Fluorinated rubber (FPM) 70° IRH	-	-

Denomination	Material	ASTM	EN
Oil, part no 901752	Medical white oil of paraffin type. Fulfills FDA 172.878 (a)	-	-

Table 1: Mechanical face seals

Alternative	Inner seal	Outer seal
1	Aluminum oxide/ Corrosion resistant cemented carbide	Corrosion resistant cemented carbide/ Corrosion resistant cemented carbide
2	Corrosion resistant cemented carbide/ Corrosion resistant cemented carbide	Corrosion resistant cemented carbide/ Corrosion resistant cemented carbide
3	Corrosion resistant cemented carbide/ Corrosion resistant cemented carbide	Silicon carbide/ Silicon carbide

Surface Treatment

Priming	Finish
Painted with a primer, see internal standard M0700.00.0002	Navy gray color NCS 5804-B07G. Two-component high-solid top coating, see internal standard M0700.00.0004 for standard painting and M0700.00.0008 for special painting.

Options

- Warm liquid version (non-explosion proof versions)
- Leakage sensor in the stator housing (FLS)
- Leakage sensor in the oil housing (CLS)
- Surface treatment (Epoxy)
- Zinc anodes
- Other cables

Accessories

Discharge connections, adapters, hose connections, and other mechanical accessories.
 Electrical accessories such as pump controller, control panels, starters, monitoring relays, cables.

Motor rating and performance curves

Star-delta starting current is 1/3 of Direct on-line starting current.

LT

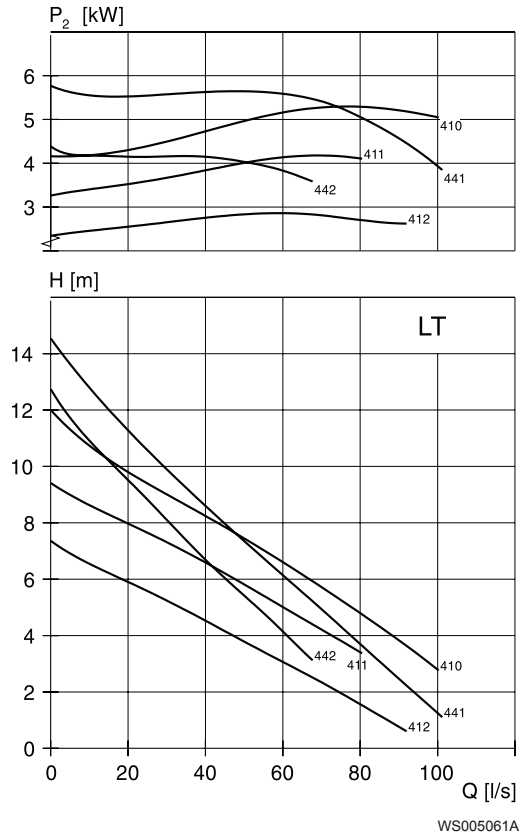


Table 2: 400 V, 50 Hz, 3-phase

Rated power kW	Rated power hp	Curve/ Impeller No	Revolution s per minute, rpm	Rated current, A	Starting current, A	Power factor, cos φ	Impeller throughlet, mm	Installation
4	5.4	412	1465	9.4	73	.74	76	T,Z
4	5.4	442	1465	9.4	73	.74	100	T,Z
4.7	6.3	411	1445	9.6	56	.86	76	P,S
4.7	6.3	412	1445	9.6	56	.86	76	P,S
4.7	6.3	442	1445	9.6	56	.86	100	P,S
4.7	6.3	411	1460	10	73	.78	76	P,S
4.7	6.3	412	1460	10	73	.78	76	P,S
4.7	6.3	442	1460	10	73	.78	100	P,S
4.7	6.3	411	1460	11	76	.76	76	T,Z
4.7	6.3	412	1460	11	76	.76	76	T,Z
4.7	6.3	442	1460	11	76	.76	100	T,Z
5.9	7.9	410	1450	12	77	.84	76	P,S
5.9	7.9	411	1450	12	77	.84	76	P,S
5.9	7.9	412	1450	12	77	.84	76	P,S
5.9	7.9	441	1450	12	77	.84	107	P,S
5.9	7.9	442	1450	12	77	.84	100	P,S

MT

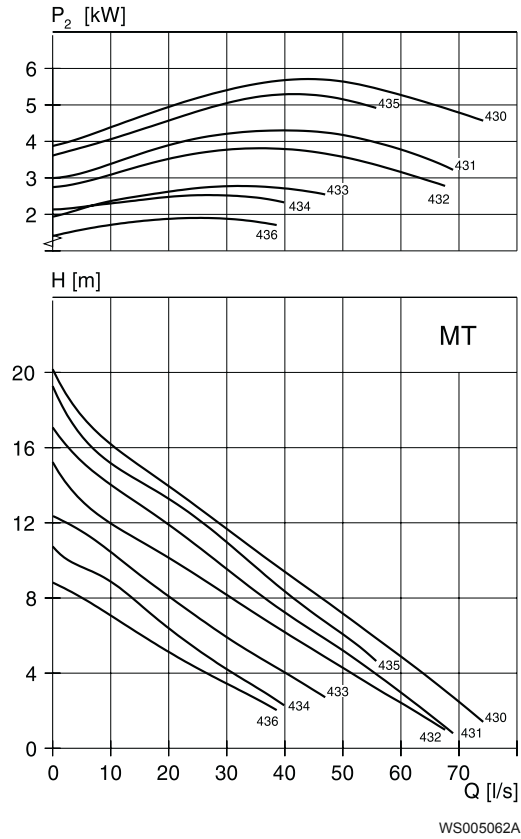
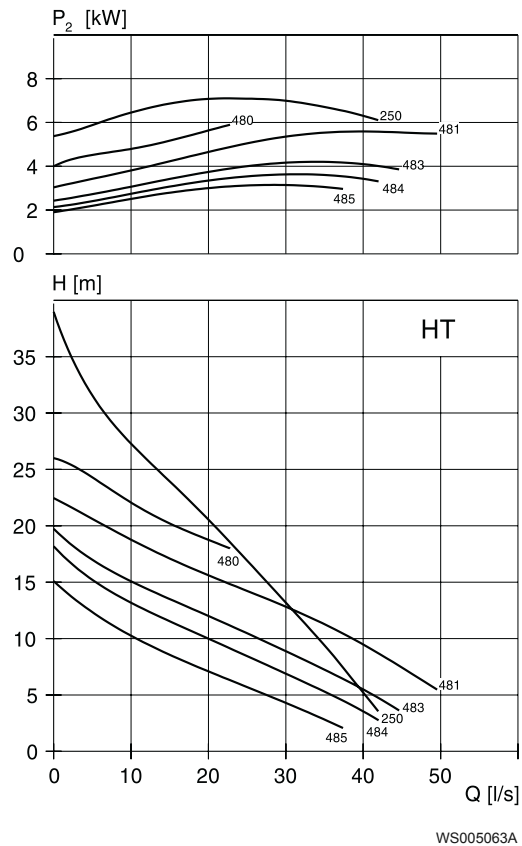


Table 3: 400 V, 50 Hz, 3-phase

Rated power kW	Rated power hp	Curve/ Impeller No	Revolution s per minute, rpm	Rated current, A	Starting current, A	Power factor, cos φ	Impeller throughlet, mm	Installation
4	5.4	432	1455	8.3	56	.84	87	T,Z
4	5.4	433	1455	8.3	56	.84	82	T,Z
4	5.4	434	1455	8.3	56	.84	87	T,Z
4.7	6.3	431	1445	9.6	56	.86	90	P,S
4.7	6.3	432	1445	9.6	56	.86	87	P,S
4.7	6.3	433	1445	9.6	56	.86	82	P,S
4.7	6.3	434	1445	9.6	56	.86	87	P,S
4.7	6.3	431	1460	11	76	.76	90	T,Z
4.7	6.3	432	1460	11	76	.76	87	T,Z
4.7	6.3	433	1460	11	76	.76	82	T,Z
4.7	6.3	434	1460	11	76	.76	87	T,Z
5.9	7.9	430	1450	12	77	.84	100	P,S
5.9	7.9	431	1450	12	77	.84	90	P,S
5.9	7.9	432	1450	12	77	.84	87	P,S
5.9	7.9	433	1450	12	77	.84	82	P,S
5.9	7.9	434	1450	12	77	.84	87	P,S

HT

**Table 4: 400 V, 50 Hz, 3-phase**

Rated power kW	Rated power hp	Curve/ Impeller No	Revolution s per minute, rpm	Rated current, A	Starting current, A	Power factor, $\cos \varphi$	Impeller throughlet, mm	Installation
4	5.4	483	1465	9.4	73	.74	76	T,Z
4	5.4	484	1465	9.4	73	.74	76	T,Z
4	5.4	485	1465	9.4	73	.74	76	T,Z
4.7	6.3	483	1445	9.6	56	.86	76	P,S
4.7	6.3	484	1445	9.6	56	.86	76	P,S
4.7	6.3	485	1445	9.6	56	.86	76	P,S
4.7	6.3	483	1460	11	76	.76	76	T,Z
4.7	6.3	484	1460	11	76	.76	76	T,Z
4.7	6.3	485	1460	11	76	.76	76	T,Z
5.9	7.9	480	1450	12	77	.84	76	P,S
5.9	7.9	481	1450	12	77	.84	76	P,S
5.9	7.9	483	1450	12	77	.84	76	P,S
5.9	7.9	484	1450	12	77	.84	76	P,S
5.9	7.9	485	1450	12	77	.84	76	P,S
7.4	9.9	250	2900	14	114	.91	-	P,S

D-pump

Product description

Usage

Submersible pump for pumping liquids containing solids, abrasive media or low volumes at high heads.

Denomination

Type	Non explosion proof version	Explosion proof version	Pressure class	Installation types
Standard	3127.181	3127.090	<ul style="list-style-type: none"> MT – Medium head HT – High head 	P

The pump can be used in the following installations:

P Semi permanent, wet well arrangement with pump installed on two guide bars with automatic connection to discharge.

Application Limits

Feature	Description
Liquid temperature	Maximum 40°C, (104°F)
Liquid temperature, warm water version	Maximum 70°C, (158°F)
Depth of immersion	Maximum 20 m (65 ft)
pH of the pumped liquid	5.5 - 14
Liquid density	Maximum 1100 kg/m ³

Motor data

Feature	Description
Motor type	Squirrel-cage induction motor
Frequency	50 Hz
Power supply	3-phase
Starting method	<ul style="list-style-type: none"> Direct on-line Star-delta
Number of starts per hour	Maximum 30
Code compliance	IEC 60034-1
Rated output variation	±10%
Voltage variation	<ul style="list-style-type: none"> Continuously running: Maximum ±5% Intermittent running: Maximum ±10%
Voltage imbalance between phases	Maximum 2%
Insulation class	H (180°C, 356°F)

Cables

Application	Type	Denomination
Direct-on-line start	SUBCAB® heavy-duty submersible cable	4G2.5 mm ² 4G2.5+2×1.5 mm ² 4G4 mm ² 4G4+2×1.5 mm ²
Y/D start	SUBCAB® heavy-duty submersible cable	7G2.5 mm ² 7G2.5+2×1.5 mm ² 7G4+2×1.5 mm ²
	NSSHÖU../3E+St	3x2.5+3x2.5/3E+3x1.5 St

Monitoring Equipment

Thermal contacts opening temperature 125° C (257° F)

Materials

Denomination	Material	ASTM	EN
Major castings	Cast iron, gray	35B	GJL-250
Pump housing, alternative 1	Cast iron, gray	35B	GJL-250
Pump housing, alternative 2	Cast iron, gray	35B	GJL-250
Impeller, alternative 1	Cast iron, gray	35B	GJL-250
Impeller, alternative 2	Cast iron, gray	35B	GJL-250
Impeller, alternative 3	Cast iron, gray	30B	GJL-200
Lifting handle	Stainless steel	AISI 316L	1.4404,1.4432, ...
Shaft	Stainless steel	AISI 431	1.4057+QT800
Screws and nuts	Stainless steel, A4	AISI 316L, 316, 316Ti	1.4401,1.4404, ...
O-rings, alternative 1	Nitrile rubber (NBR) 70° IRH		
O-rings, alternative 2	Fluorinated rubber (FPM) 70° IRH		
Oil, part no 901752	Medical white oil of paraffin type. Fulfills FDA 172.878 (a)		

Table 5: Mechanical face seals

Alternative	Inner seal	Outer seal
1	Aluminum oxide/ Corrosion resistant cemented carbide	Corrosion resistant cemented carbide/ Corrosion resistant cemented carbide
2	Corrosion resistant cemented carbide/ Corrosion resistant cemented carbide	Corrosion resistant cemented carbide/ Corrosion resistant cemented carbide
3	Corrosion resistant cemented carbide/ Corrosion resistant cemented carbide	Silicon carbide/ Silicon carbide

Surface Treatment

Priming	Finish
Painted with a primer, see internal standard M0700.00.0002	Navy gray color NCS 5804-B07G. Two-component high-solid top coating, see internal standard M0700.00.0004 for standard painting and M0700.00.0008 for special painting.

Options

- Warm liquid version (non-explosion proof versions)
- Leakage sensor in the stator housing (FLS)
- Leakage sensor in the oil housing (CLS)
- Surface treatment (Epoxy)
- Zinc anodes
- Other cables

Accessories

Discharge connections, adapters, hose connections, and other mechanical accessories.
Electrical accessories such as pump controller, control panels, starters, monitoring relays, cables.

Motor rating and performance curves

Star-delta starting current is 1/3 of Direct on-line starting current.

MT

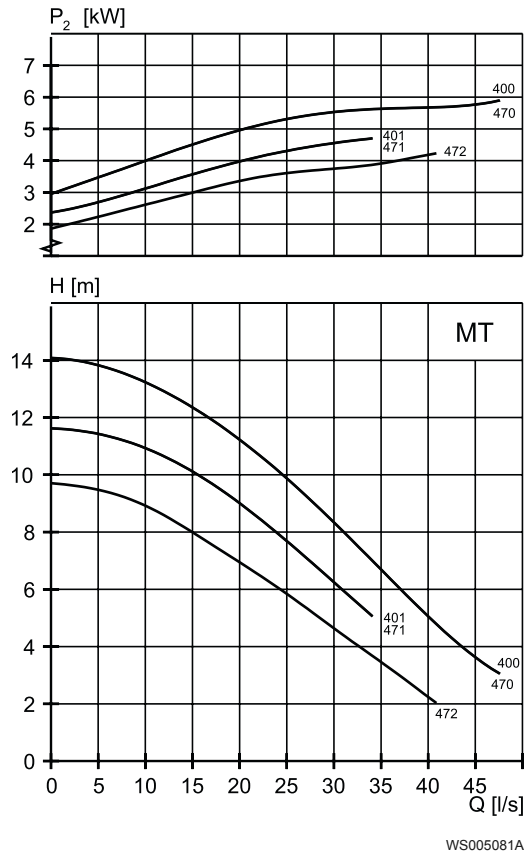
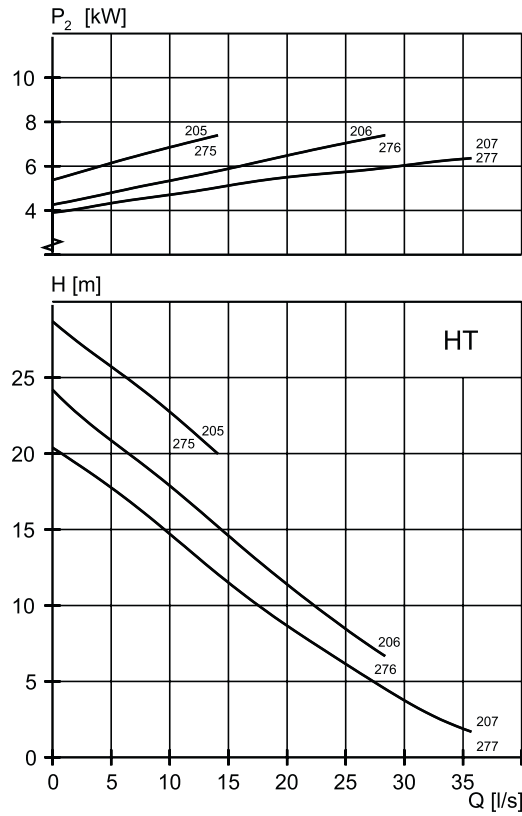


Table 6: 400 V, 50 Hz, 3-phase

Rated power kW	Rated power hp	Curve/ Impeller No	Revolution s per minute, rpm	Rated current, A	Starting current, A	Power factor, cos φ	Impeller throughlet, mm	Installation
4.7	6.3	401	1460	10	73	.78	100	P
4.7	6.3	471	1460	10	73	.78	100	P
4.7	6.3	472	1460	10	73	.78	100	P
5.9	7.9	400	1450	12	77	.84	100	P
5.9	7.9	401	1450	12	77	.84	100	P
5.9	7.9	470	1450	12	77	.84	100	P
5.9	7.9	471	1450	12	77	.84	100	P
5.9	7.9	472	1450	12	77	.84	100	P

HT



WS005082A

Table 7: 400 V, 50 Hz, 3-phase

Rated power kW	Rated power hp	Curve/ Impeller No	Revolution s per minute, rpm	Rated current, A	Starting current, A	Power factor, cos φ	Impeller throughlet, mm	Installation
7.4	9.9	205	2920	15	137	.84	76	P
7.4	9.9	206	2920	15	137	.84	76	P
7.4	9.9	207	2920	15	137	.84	76	P
7.4	9.9	275	2920	15	137	.84	76	P
7.4	9.9	276	2920	15	137	.84	76	P
7.4	9.9	277	2920	15	137	.84	76	P

F-pump, Standard Motor

Product description

Usage 3127.181/.090

Submersible pump for pumping liquid manure, or heavily contaminated sewage and sludge. The impeller is S-shaped and fitted with a cutting device and a break pin to protect the pump.

Usage 3127.350/.390

Submersible chopper pump for pumping liquid manure, or heavily contaminated sewage and sludge. The hydraulic end has a cutting function.

Denomination

Type	Non explosion proof version	Explosion proof version	Installation types	Installation types
Cast iron	3127.181	3127.090	<ul style="list-style-type: none"> • LT – Low head 	J, P, S
Hard-Iron™	3127.350	3127.390	<ul style="list-style-type: none"> • MT – Medium head • HT – High head • SH – Super head 	P, S, T, Z

The pump can be used in the following installations:

- J** Semi permanent, wet well arrangement with guide bars or wire for a pump with a jet nozzle intended for mixing. For connection to a discharge stool. Jet nozzle can also be used as a hose connection.
- P** Semi permanent, wet well arrangement with pump installed on two guide bars with automatic connection to discharge.
- S** Portable semi permanent, wet well arrangement with hose coupling or flange for connection to discharge pipeline.
- T** Vertical permanent, dry well arrangement with flange connection to suction and discharge piping.
- Z** Horizontal permanent, dry well arrangement with flange connection to suction and discharge piping.

Application Limits

Feature	Description
Liquid temperature	Maximum 40°C, (104°F)
Liquid temperature, warm water version	Maximum 70°C, (158°F)
Depth of immersion	Maximum 20 m (65 ft)
pH of the pumped liquid	5.5 - 14
Liquid density	Maximum 1100 kg/m ³

Motor data

Feature	Description
Motor type	Squirrel-cage induction motor

Feature	Description
Frequency	50 Hz
Power supply	3-phase
Starting method	<ul style="list-style-type: none"> • Direct on-line • Star-delta
Number of starts per hour	Maximum 30
Code compliance	IEC 60034-1
Rated output variation	±10%
Voltage variation	<ul style="list-style-type: none"> • Continuously running: Maximum ±5% • Intermittent running: Maximum ±10%
Voltage imbalance between phases	Maximum 2%
Insulation class	H (180°C, 356°F)

Cables 3127.181/.090

Application	Type	Denomination
Direct-on-line start	SUBCAB® heavy-duty submersible cable	4G2.5 mm ² 4G2.5+2×1.5 mm ² 4G4 mm ² 4G4+2×1.5 mm ²
Y/D start	SUBCAB® heavy-duty submersible cable	7G2.5 mm ² 7G2.5+2×1.5 mm ² 7G4+2×1.5 mm ²
	NSSHÖU../3E+St	3x2.5+3x2.5/3E+3x1.5 St

Cables 3127.350/.390

Application	Type	Denomination
Direct-on-line start	SUBCAB® heavy-duty submersible cable	4G2.5 mm ² 4G4 mm ² 4G4+2×1.5 mm ² 4G6+2×1.5 mm ² 4G10+2×1.5 mm ²
Y/D start	SUBCAB® heavy-duty submersible cable	7G2.5 mm ² 7G2.5+2×1.5 mm ² 7G4+2×1.5 mm ²
	Screened SUBCAB® heavy-duty submersible cable	S3×2.5 mm ² S3×2.5+3×2.5/3+4×1.5 mm ² S6×2.5+2×1.5 mm ²

Monitoring Equipment

Thermal contacts opening temperature 125° C (257° F)

Materials

Denomination	Material	ASTM	EN
Major castings	Cast iron, gray	35B	GJL-250
Pump housing	Cast iron, gray	35B	GJL-250
Impeller, alternative 1	Cast iron, nodular		GJS-400-18-LT
Impeller, alternative 2	Cast iron, Hard-Iron™	A 532 IIIA	GJN-HB555(XCR23)
Suction cover, alternative 1	Cast iron, Hard-Iron™	A 532 IIIA	GJN-HB555(XCR23)
Suction cover, alternative 2	Steel	A 572 GR50	S355
Suction cover, alternative 3	Cast iron, Hard-Iron™	A 532 IIIA	GJN-HB555(XCR23)
Lifting handle	Stainless steel	AISI 316L	1.4404, 1.4432, ...
Shaft	Stainless steel	AISI 431	1.4057+QT800
Screws and nuts	Stainless steel, A4	AISI 316L, 316, 316Ti	1.4401, 1.4404, ...
O-rings, alternative 1	Nitrile rubber (NBR) 70° IRH		
O-rings, alternative 2	Fluorinated rubber (FPM) 70° IRH		
Oil, part no 901752	Medical white oil of paraffin type. Fulfills FDA 172.878 (a)		

Table 8: Mechanical face seals

Alternative	Inner seal	Outer seal
1	Aluminum oxide/ Corrosion resistant cemented carbide	Corrosion resistant cemented carbide/ Corrosion resistant cemented carbide
2	Corrosion resistant cemented carbide/ Corrosion resistant cemented carbide	Corrosion resistant cemented carbide/ Corrosion resistant cemented carbide
3	Corrosion resistant cemented carbide/ Corrosion resistant cemented carbide	Silicon carbide/ Silicon carbide

Surface Treatment

Priming	Finish
Painted with a primer, see internal standard M0700.00.0002	Navy gray color NCS 5804-B07G. Two-component high-solid top coating, see internal standard M0700.00.0004 for standard painting and M0700.00.0008 for special painting.

Options

- Warm liquid version (non-explosion proof versions)
- Leakage sensor in the stator housing (FLS)
- Leakage sensor in the oil housing (CLS)
- Surface treatment (Epoxy)
- Zinc anodes
- Other cables

Accessories

Discharge connections, adapters, hose connections, and other mechanical accessories.
 Electrical accessories such as pump controller, control panels, starters, monitoring relays, cables.

Motor rating and performance curves 3127.181/.090

Star-delta starting current is 1/3 of Direct on-line starting current.

LT

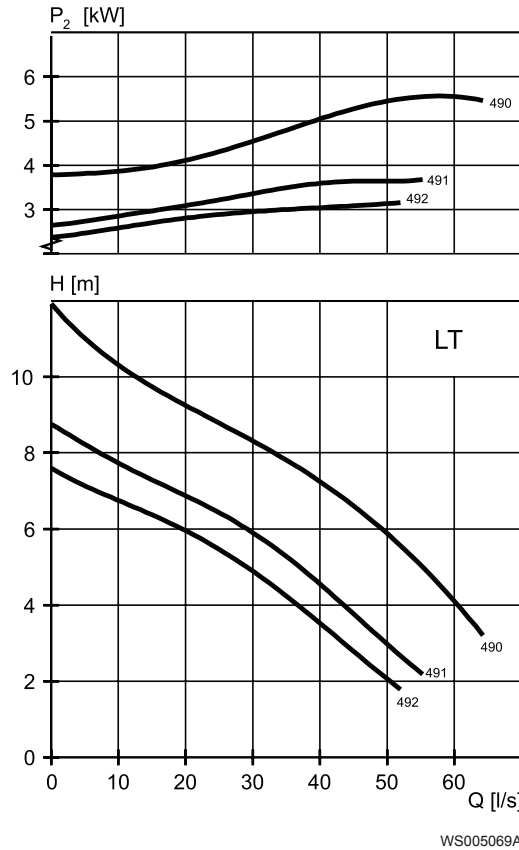


Table 9: 400 V, 50 Hz, 3-phase

Rated power kW	Rated power hp	Curve/ Impeller No	Revolutions per minute, rpm	Rated current, A	Starting current, A	Power factor, cos φ	Installation
4.7	6.3	491	1460	10	73	.78	P,S
4.7	6.3	492	1460	10	73	.78	P,S
5.9	7.9	490	1450	12	77	.84	J,P,S
5.9	7.9	491	1450	12	77	.84	P,S
5.9	7.9	492	1450	12	77	.84	P,S
5.9	7.9	493	1450	12	77	.84	P,S

Motor rating and performance curves 3127.350/.390

Star-delta starting current is 1/3 of Direct on-line starting current.

MT

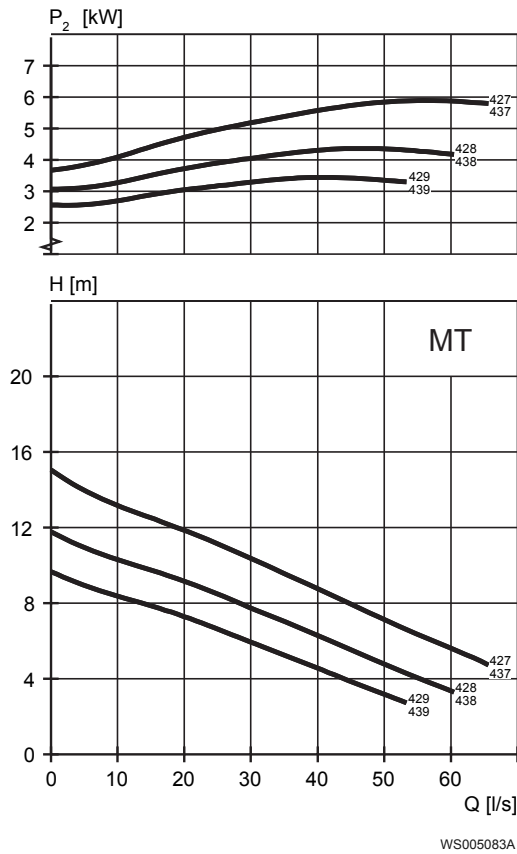


Table 10: 400 V, 50 Hz, 3-phase

Rated power kW	Rated power hp	Curve/ Impeller No	Revolutions per minute, rpm	Rated current, A	Starting current, A	Power factor, cos φ	Installation
4	5.4	429	1455	8.3	56	.84	T,Z
4	5.4	439	1455	8.3	56	.84	T,Z
4.7	6.3	428	1445	9.6	56	.86	P,S
4.7	6.3	429	1445	9.6	56	.86	P,S
4.7	6.3	438	1445	9.6	56	.86	P,S
4.7	6.3	439	1445	9.6	56	.86	P,S
5.9	7.9	427	1440	12	62	.88	P,S
5.9	7.9	427	1450	13	76	.81	P,S
5.9	7.9	437	1440	12	62	.88	P,S
5.9	7.9	437	1450	13	76	.81	P,S

HT

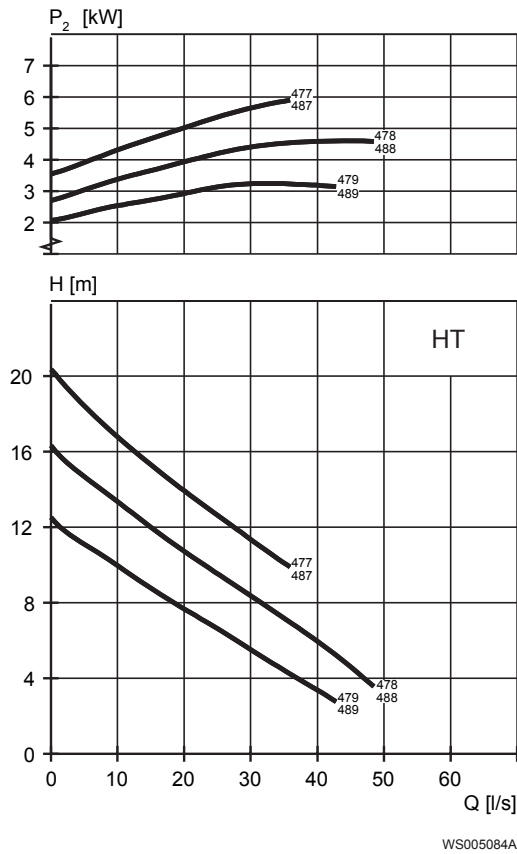


Table 11: 400 V, 50 Hz, 3-phase

Rated power kW	Rated power hp	Curve/ Impeller No	Revolutions per minute, rpm	Rated current, A	Starting current, A	Power factor, cos φ	Installation
4	5.4	479	1455	8.3	56	.84	T,Z
4	5.4	489	1455	8.3	56	.84	T,Z
4.7	6.3	478	1445	9.6	56	.86	P,S
4.7	6.3	479	1445	9.6	56	.86	P,S
4.7	6.3	488	1445	9.6	56	.86	P,S
4.7	6.3	489	1445	9.6	56	.86	P,S
5.9	7.9	477	1440	12	62	.88	P,S
5.9	7.9	477	1450	13	76	.81	P,S
5.9	7.9	486	1440	12	62	.88	P,S
5.9	7.9	486	1450	13	76	.81	P,S
5.9	7.9	487	1440	12	62	.88	P,S
5.9	7.9	487	1450	13	76	.81	P,S

SH

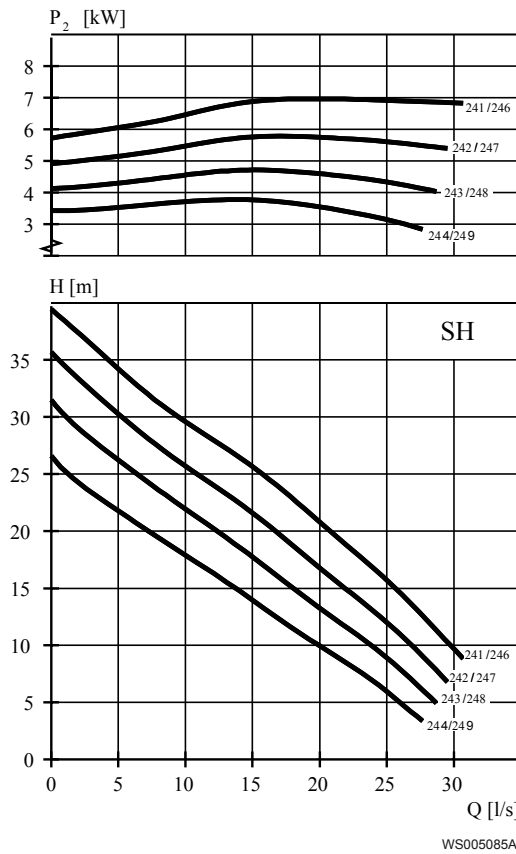


Table 12: 400 V, 50 Hz, 3-phase

Rated power kW	Rated power hp	Curve/ Impeller No	Revolutions per minute, rpm	Rated current, A	Starting current, A	Power factor, cos φ	Installation
7.4	9.9	241	2900	14	114	.91	P,S
7.4	9.9	242	2900	14	114	.91	P,S
7.4	9.9	243	2900	14	114	.91	P,S
7.4	9.9	244	2900	14	114	.91	P,S
7.4	9.9	246	2900	14	114	.91	P,S
7.4	9.9	247	2900	14	114	.91	P,S
7.4	9.9	248	2900	14	114	.91	P,S
7.4	9.9	249	2900	14	114	.91	P,S

H-pump

Product description

Usage

Submersible pump for pumping water containing abrasive particles, sludge, ground water, slurries.

Denomination

Type	Non explosion proof version	Explosion proof version	Pressure class	Installation types
Cast iron	3127.181	3127.090	HT – High head	S

The pump can be used in the following installations:

S Portable semi permanent, wet well arrangement with hose coupling or flange for connection to discharge pipeline.

Application Limits

Feature	Description
Liquid temperature	Maximum 40°C, (104°F)
Liquid temperature, warm water version	Maximum 70°C, (158°F)
Depth of immersion	Maximum 20 m (65 ft)
pH of the pumped liquid	5.5 - 14
Liquid density	Maximum 1100 kg/m ³

Motor data

Feature	Description
Motor type	Squirrel-cage induction motor
Frequency	50 Hz
Power supply	3-phase
Starting method	<ul style="list-style-type: none"> • Direct on-line • Star-delta
Number of starts per hour	Maximum 30
Code compliance	IEC 60034-1
Rated output variation	±10%
Voltage variation	<ul style="list-style-type: none"> • Continuously running: Maximum ±5% • Intermittent running: Maximum ±10%
Voltage imbalance between phases	Maximum 2%
Insulation class	H (180°C, 356°F)

Cables

Application	Type	Denomination
Direct-on-line start	SUBCAB® heavy-duty submersible cable	4G2.5 mm ² 4G2.5+2×1.5 mm ² 4G4 mm ² 4G4+2×1.5 mm ²
Y/D start	SUBCAB® heavy-duty submersible cable	7G2.5 mm ² 7G2.5+2×1.5 mm ² 7G4+2×1.5 mm ²

Monitoring Equipment

- Thermal contacts opening temperature 125° C (257° F)

Materials

Denomination	Material	ASTM	EN
Major castings	Cast iron, gray	35B	GJL-250
Pump housing	Cast iron, gray	35B	GJL-250
Impeller	Cast iron, Hard-Iron™	A 532 IIIA	GJN-HB555(XCR23)
Suction cover	Nitrile rubber (NBR)	-	-
Wear ring	Nitrile rubber (NBR)	-	-
Lifting handle	Stainless steel	AISI 316L	1.4404, 1.4432, ...
Shaft	Stainless steel	AISI 431	1.4057+QT800
Screws and nuts	Stainless steel, A4	AISI 316L, 316, 316Ti	1.4401, 1.4404, ...
O-rings, alternative 1	Nitrile rubber (NBR) 70° IRH	-	-
O-rings, alternative 2	Fluorinated rubber (FPM) 70° IRH	-	-
Oil Part No 901752	Medical white oil of paraffin type. Fulfills FDA 172.878 (a)	-	-

Table 13: Mechanical face seals

Alternative	Inner seal	Outer seal
1	Aluminum oxide/ Corrosion resistant cemented carbide	Corrosion resistant cemented carbide/ Corrosion resistant cemented carbide
2	Corrosion resistant cemented carbide/ Corrosion resistant cemented carbide	Corrosion resistant cemented carbide/ Corrosion resistant cemented carbide
3	Corrosion resistant cemented carbide/ Corrosion resistant cemented carbide	Silicon carbide/ Silicon carbide

Surface Treatment

Priming	Finish
Painted with a primer, see internal standard M0700.00.0002	Navy gray color NCS 5804-B07G. Two-component high-solid top coating, see internal standard M0700.00.0004 for standard painting and M0700.00.0008 for special painting.

Options

- Warm liquid version (non-explosion proof versions)
- Leakage sensor in the stator housing (FLS)
- Leakage sensor in the oil housing (CLS)
- Surface treatment (Epoxy)
- Zinc anodes
- Other cables

Accessories

Discharge connections, adapters, hose connections, and other mechanical accessories. Electrical accessories such as pump controller, control panels, starters, monitoring relays, cables. For more information, see separate booklet or our website.

Motor rating and performance curves

Star-delta starting current is 1/3 of Direct on-line starting current.

HT

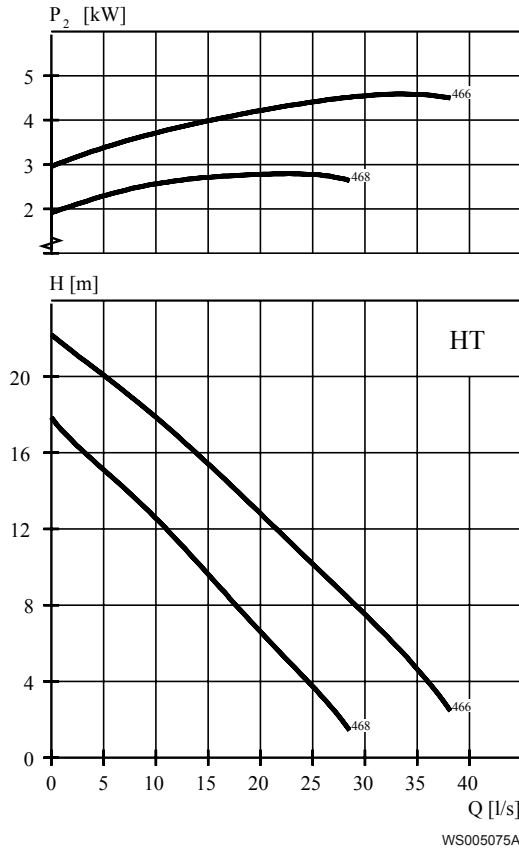


Table 14: 400 V, 50 Hz, 3-phase

Rated power kW	Rated power hp	Curve/ Impeller No	Revolution s per minute, rpm	Rated current, A	Starting current, A	Power factor, cos φ	Impeller throughlet, mm	Installation
4.7	6.3	466	1460	10	73	.78	51	S
4.7	6.3	468	1460	10	73	.78	50	S
5.9	7.9	466	1450	12	77	.84	51	S
5.9	7.9	468	1450	12	77	.84	50	S

L-pump

Product description

Usage

Submersible pump for pumping clean, surface or waste water containing fibre-free solids.

Denomination

Type	Non explosion proof version	Explosion proof version	Pressure class	Installation types
Cast iron	3127.181	–	LT – Low head	L

The pump can be used in the following installations:

- L Semi permanent, wet well column pipe arrangement where the well is divided into a suction part and a discharge part. Pump end equipped with guide vanes.

Application Limits

Feature	Description
Liquid temperature	Maximum 40°C, (104°F)
Liquid temperature, warm water version	Maximum 70°C, (158°F)
Depth of immersion	Maximum 20 m (65 ft)
pH of the pumped liquid	5.5 – 14
Liquid density	Maximum 1100 kg/m ³

Motor data

Feature	Description
Motor type	Squirrel-cage induction motor
Frequency	50 Hz
Power supply	3-phase
Starting method	<ul style="list-style-type: none"> • Direct on-line • Star-delta
Number of starts per hour	Maximum 30
Code compliance	IEC 60034-1
Rated output variation	±10%
Voltage variation	<ul style="list-style-type: none"> • Continuously running: Maximum ±5% • Intermittent running: Maximum ±10%
Voltage imbalance between phases	Maximum 2%
Insulation class	H (180°C, 356°F)

Cables

Application	Type	Denomination
Direct-on-line start	SUBCAB® heavy-duty submersible cable	4G2.5 mm ² 4G2.5+2×1.5 mm ² 4G4 mm ² 4G4+2×1.5 mm ²
Y/D start	SUBCAB® heavy-duty submersible cable	7G2.5 mm ² 7G2.5+2×1.5 mm ² 7G4 mm ² 7G4+2×1.5 mm ²

Monitoring Equipment

- Thermal contacts opening temperature 125° C (257° F)

Materials

Denomination	Material	ASTM	EN
Major castings	Cast iron, gray	35B	GJL-250
Pump housing	Cast iron, gray	35B	GJL-250
Impeller	Cast iron, gray	35B	GJL-250
Insert ring	Cast iron, gray	35B	GJL-250
Lifting handle	Stainless steel	AISI 316L	1.4404, 1.4432, ...
Shaft	Stainless steel	AISI 431	1.4057+QT800
Screws and nuts	Stainless steel, A4	AISI 316L, 316, 316Ti	1.4401, 1.4404, ...
O-rings, alternative 1	Nitrile rubber (NBR) 70° IRH		
O-rings, alternative 2	Fluorinated rubber (FPM) 70° IRH		
Oil Part No 901752	Medical white oil of paraffin type. Fulfills FDA 172.878 (a)		

Table 15: Mechanical face seals

Alternative	Inner seal	Outer seal
1	Aluminum oxide/ Corrosion resistant cemented carbide	Corrosion resistant cemented carbide/ Corrosion resistant cemented carbide
2	Corrosion resistant cemented carbide/ Corrosion resistant cemented carbide	Corrosion resistant cemented carbide/ Corrosion resistant cemented carbide
3	Corrosion resistant cemented carbide/ Corrosion resistant cemented carbide	Silicon carbide/ Silicon carbide

Surface Treatment

Priming	Finish
Painted with a primer, see internal standard M0700.00.0002	Navy gray color NCS 5804-B07G. Two-component high-solid top coating, see internal standard M0700.00.0004 for standard painting and M0700.00.0008 for special painting.

Options

- Warm liquid version (non-explosion proof versions)
- Leakage sensor in the stator housing (FLS)
- Leakage sensor in the oil housing (CLS)
- Surface treatment (Epoxy)
- Zinc anodes
- Other cables

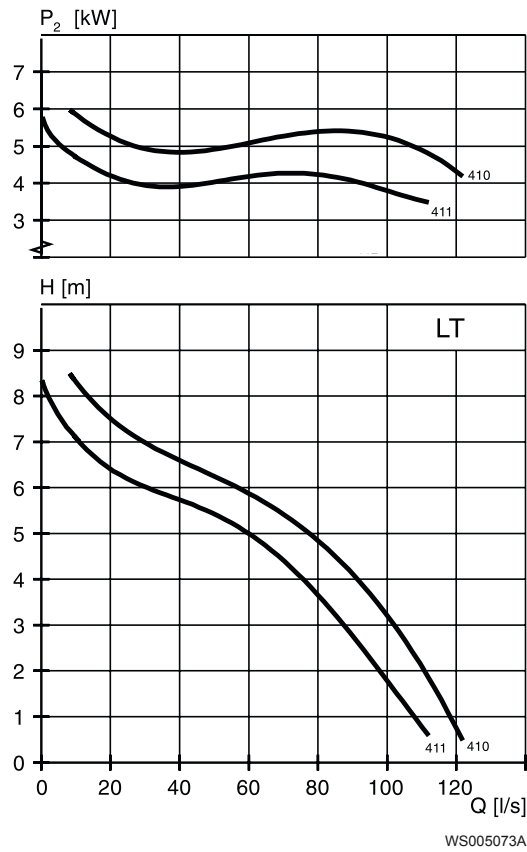
Accessories

Discharge connections, adapters, hose connections, and other mechanical accessories. Electrical accessories such as pump controller, control panels, starters, monitoring relays, cables. For more information, see separate booklet or our website.

Motor rating and performance curves

Star-delta starting current is 1/3 of Direct on-line starting current.

LT



WS005073A

Table 16: 400 V, 50 Hz, 3-phase

Rated power kW	Rated power hp	Curve/ Impeller No	Revolution s per minute, rpm	Rated current, A	Starting current, A	Power factor, $\cos \varphi$	Impeller throughlet, mm	Installation
4.7	6.3	411	1445	9.6	56	.86	76	L
5.9	7.9	410	1450	12	77	.84	76	L
5.9	7.9	411	1450	12	77	.84	76	L
7.5	10.1	410	1435	15	77	.86	76	L
7.5	10.1	411	1435	15	77	.86	76	L

M-pump

Product description

Usage

Submersible pump for pumping waste water containing solids that need to be macerated. The impeller is equipped with a grinder device.

Denomination

Type	Non explosion proof version	Explosion proof version	Pressure class	Installation types
Grinder	3127.170	3127.890	LT – Low head HT – High head	F, P

The pump can be used in the following installations:

- F Free standing semi permanent, wet well arrangement where the pump is placed on a firm surface.
- P Semi permanent, wet well arrangement with pump installed on two guide bars with automatic connection to discharge.

Application Limits

Feature	Description
Liquid temperature	Maximum 40°C, (104°F)
Liquid temperature, warm water version	Maximum 70°C, (158°F)
Depth of immersion	Maximum 20 m (65 ft)
pH of the pumped liquid	5.5 - 14
Liquid density	Maximum 1100 kg/m ³

Motor data

Feature	Description
Motor type	Squirrel-cage induction motor
Frequency	50 Hz
Power supply	3-phase
Starting method	<ul style="list-style-type: none"> • Direct on-line • Star-delta
Number of starts per hour	Maximum 30
Code compliance	IEC 60034-1
Rated output variation	±10%
Voltage variation	<ul style="list-style-type: none"> • Continuously running: Maximum ±5% • Intermittent running: Maximum ±10%
Voltage imbalance between phases	Maximum 2%

Feature	Description
Insulation class	H (180°C, 356°F)

Cables

Application	Type	Denomination
Direct-on-line start	SUBCAB® heavy-duty submersible cable	4G2.5 mm ² 4G2.5+2×1.5 mm ² 4G4 mm ² 4G4+2×1.5 mm ²
Y/D start	SUBCAB® heavy-duty submersible cable	7G2.5 mm ² 7G2.5+2×1.5 mm ² 7G4+2×1.5 mm ²

Monitoring Equipment

Thermal contacts opening temperature 125° C (257° F)

Materials

Denomination	Material	ASTM	EN
Major castings	Cast iron, gray	35B	GJL-250
Pump housing	Cast iron, gray	35B	GJL-250
Impeller, alternative 1	Cast iron, gray	30B	GJL-200
Impeller, alternative 2	Cast iron, gray	35B	GJL-250
Cutter wheel	Cast iron, Hard-Iron™	A 532 IIIA	GJN-HB555(XCR23)
Cutter plate	Stainless steel		
Lifting handle	Stainless steel	AISI 316L	1.4404, 1.4432, ...
Shaft	Stainless steel	AISI 431	1.4057+QT800
Screws and nuts	Stainless steel, A4	AISI 316L, 316, 316Ti	1.4401, 1.4404, ...
O-rings	Nitrile rubber (NBR) 70° IRH		
Oil, part no 901752	Medical white oil of paraffin type. Fulfills FDA 172.878 (a)		

Table 17: Mechanical face seals

Inner seal	Outer seal
Aluminum oxide/ Corrosion resistant cemented carbide	Corrosion resistant cemented carbide/ Corrosion resistant cemented carbide

Surface Treatment

Priming	Finish
Painted with a primer, see internal standard M0700.00.0002	Navy gray color NCS 5804-B07G. Two-component high-solid top coating, see internal standard M0700.00.0004 for standard painting and M0700.00.0008 for special painting.

Options

- Leakage sensor in the stator housing (FLS)
- Leakage sensor in the oil housing (CLS)

- Surface treatment (Epoxy)
- Zinc anodes
- Other cables

Accessories

Discharge connections, adapters, hose connections, and other mechanical accessories. Electrical accessories such as pump controller, control panels, starters, monitoring relays, cables.

Motor rating and performance curves

Star-delta starting current is 1/3 of Direct on-line starting current.

LT

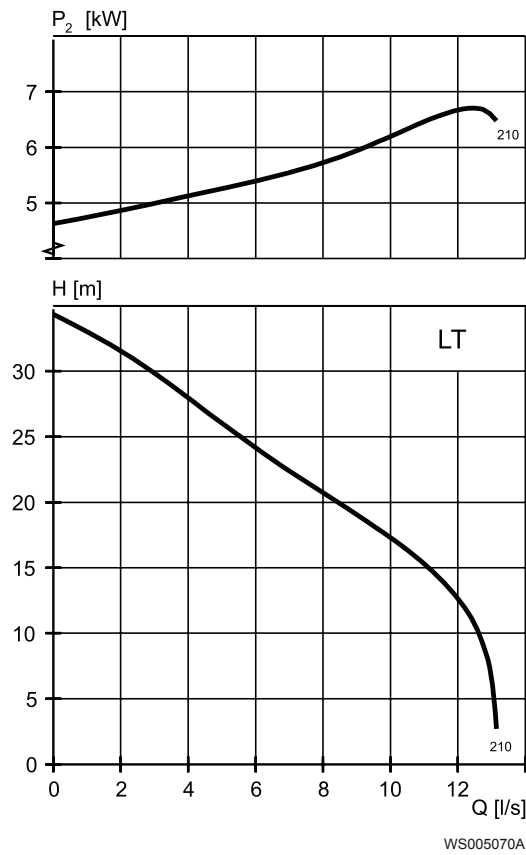
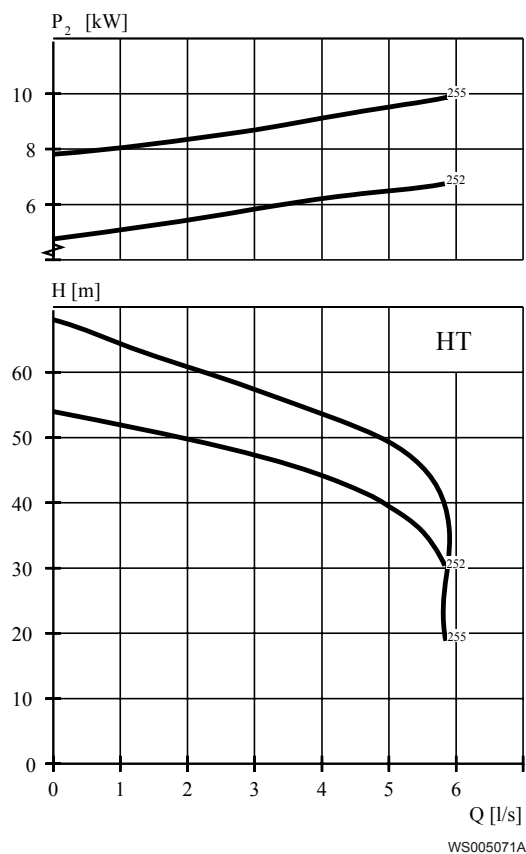


Table 18: 400 V, 50 Hz, 3-phase

Rated power kW	Rated power hp	Curve/ Impeller No	Revolutions per minute, rpm	Rated current, A	Starting current, A	Power factor, cos φ	Installation
7.4	9.9	210	2900	14	114	.91	F,P

HT

**Table 19: 400 V, 50 Hz, 3-phase**

Rated power kW	Rated power hp	Curve/ Impeller No	Revolutions per minute, rpm	Rated current, A	Starting current, A	Power factor, $\cos \varphi$	Installation
7.4	9.9	252	2900	14	114	.91	F,P
10.9	14.6	255	2875	21	137	.88	F,P

N-pump, Standard Motor

Product description

Usage

The submersible pump is designed for pumping clean water, surface water, and wastewater containing solids or long-fibred material.

Denomination

Type	Non explosion proof version	Explosion proof version	Pressure class	Installation types
Adaptive	3127.160	3127.190	LT – Low head	P, S, T, Z
Cast iron	3127.181	3127.090	MT – Medium head HT – High head	L, P, S, T, Z
Hard-Iron™	3127.185	3127.095	SH – Super head	P, S, T, Z

The pump can be used in the following installations:

- L** Semi permanent, wet well column pipe arrangement where the well is divided into a suction part and a discharge part. Pump end equipped with guide vanes.
- P** Semi permanent, wet well arrangement with pump installed on two guide bars with automatic connection to discharge.
- S** Portable semi permanent, wet well arrangement with hose coupling or flange for connection to discharge pipeline.
- T** Vertical permanent, dry well arrangement with flange connection to suction and discharge piping.
- Z** Horizontal permanent, dry well arrangement with flange connection to suction and discharge piping.

Application Limits

Feature	Description
Liquid temperature	Maximum 40°C, (104°F)
Liquid temperature, warm water version	Maximum 70°C, (158°F)
Depth of immersion	Maximum 20 m (65 ft)
pH of the pumped liquid	5.5 - 14
Liquid density	Maximum 1100 kg/m ³

Motor data

Feature	Description
Motor type	Squirrel-cage induction motor
Frequency	50 Hz
Power supply	3-phase
Starting method	<ul style="list-style-type: none"> • Direct on-line • Star-delta
Number of starts per hour	Maximum 30

Feature	Description
Code compliance	IEC 60034-1
Rated output variation	±10%
Voltage variation	<ul style="list-style-type: none"> Continuously running: Maximum ±5% Intermittent running: Maximum ±10%
Voltage imbalance between phases	Maximum 2%
Insulation class	H (180°C, 356°F)

Cables

Application	Type	Denomination
Direct-on-line start	SUBCAB® heavy-duty submersible cable	4G2.5 mm ² 4G2.5+2×1.5 mm ² 4G4 mm ² 4G4+2×1.5 mm ²
Y/D start	SUBCAB® heavy-duty submersible cable	7G2.5 mm ² 7G2.5+2×1.5 mm ² 7G4+2×1.5 mm ²
	Screened SUBCAB® heavy-duty submersible cable	S3×2.5+3×2.5/3+4×1.5 mm ²

Monitoring Equipment

Thermal contacts opening temperature 125° C (257° F)

Materials

Denomination	Material	ASTM	EN
Major castings	Cast iron, gray	35B	GJL-250
Pump housing	Cast iron, gray	35B	GJL-250
Impeller, alternative 1	Cast iron, gray	35B	GJL-250
Impeller, alternative 2	Cast iron, Hard-Iron™	A 532 IIIA	GJN-HB555(XCR23)
Insert ring, alternative 1	Cast iron, gray	35B	GJL-250
Insert ring, alternative 2	Cast iron, Hard-Iron™	A 532 IIIA	GJN-HB555(XCR23)
Lifting handle	Stainless steel	AISI 316L	1.4404, 1.4432, ...
Shaft	Stainless steel	AISI 431	1.4057+QT800
Screws and nuts	Stainless steel, A4	AISI 316L, 316, 316Ti	1.4401, 1.4404, ...
O-rings, alternative 1	Nitrile rubber (NBR) 70° IRH	-	-
O-rings, alternative 2	Fluorinated rubber (FPM) 70° IRH	-	-

Denomination	Material	ASTM	EN
Oil, part no 901752	Medical white oil of paraffin type. Fulfills FDA 172.878 (a)	-	-

Table 20: Mechanical face seals

Alternative	Inner seal	Outer seal
1	Aluminum oxide/ Corrosion resistant cemented carbide	Corrosion resistant cemented carbide/ Corrosion resistant cemented carbide
2	Corrosion resistant cemented carbide/ Corrosion resistant cemented carbide	Corrosion resistant cemented carbide/ Corrosion resistant cemented carbide
3	Corrosion resistant cemented carbide/ Corrosion resistant cemented carbide	Silicon carbide/ Silicon carbide

Surface Treatment

Priming	Finish
Painted with a primer, see internal standard M0700.00.0002	Navy gray color NCS 5804-B07G. Two-component high-solid top coating, see internal standard M0700.00.0004 for standard painting and M0700.00.0008 for special painting.

Options

- Warm liquid version (non-explosion proof versions)
- Leakage sensor in the stator housing (FLS)
- Leakage sensor in the oil housing (CLS)
- Surface treatment (Epoxy)
- Zinc anodes
- Other cables

Accessories

Discharge connections, adapters, hose connections, and other mechanical accessories.
 Electrical accessories such as pump controller, control panels, starters, monitoring relays, cables.

Motor rating and performance curves

Star-delta starting current is 1/3 of Direct on-line starting current.

LT

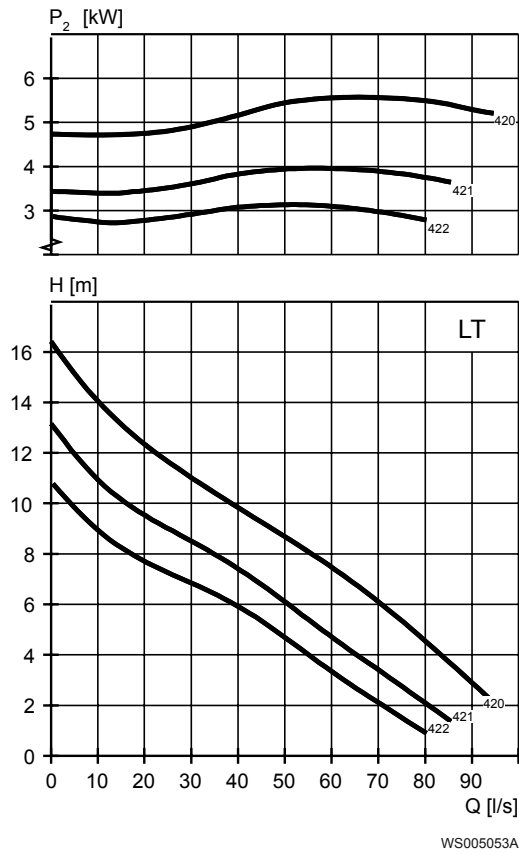


Table 21: 400 V, 50 Hz, 3-phase

Rated power kW	Rated power hp	Curve/ Impeller No	Revolutions per minute, rpm	Rated current, A	Starting current, A	Power factor, cos φ	Installation
4	5.4	421	1455	8.3	56	.84	T,Z
4	5.4	422	1455	8.3	56	.84	T,Z
4.7	6.3	421	1445	9.6	56	.86	P,S
4.7	6.3	422	1445	9.6	56	.86	P,S
4.7	6.3	421	1460	11	76	.76	T,Z
4.7	6.3	422	1460	11	76	.76	T,Z
5.9	7.9	420	1450	12	77	.84	P,S
5.9	7.9	421	1450	12	77	.84	P,S
5.9	7.9	422	1450	12	77	.84	P,S

MT

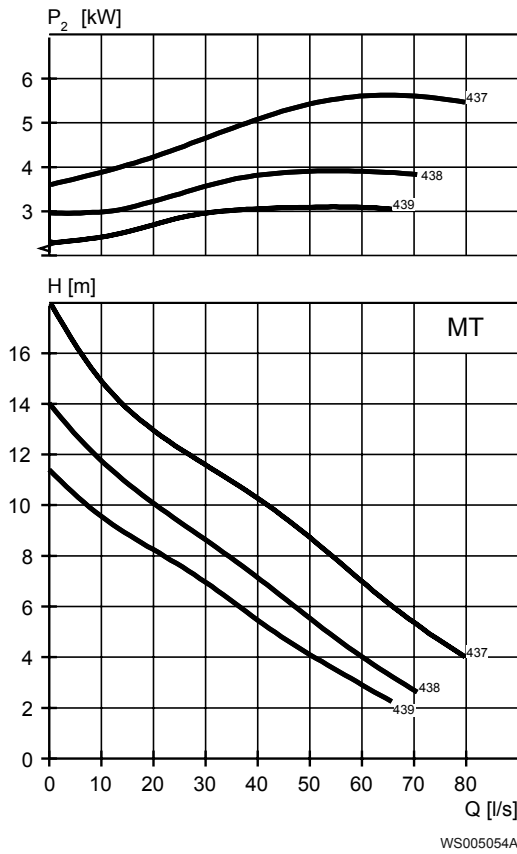


Table 22: 400 V, 50 Hz, 3-phase

Rated power kW	Rated power hp	Curve/ Impeller No	Revolutions per minute, rpm	Rated current, A	Starting current, A	Power factor, $\cos \varphi$	Installation
4	5.4	438	1455	8.3	56	.84	T,Z
4	5.4	439	1455	8.3	56	.84	T,Z
4.7	6.3	438	1445	9.6	56	.86	P,S
4.7	6.3	439	1445	9.6	56	.86	P,S
4.7	6.3	438	1460	11	76	.76	T,Z
4.7	6.3	439	1460	11	76	.76	T,Z
5.9	7.9	437	1450	13	76	.81	P,S
5.9	7.9	438	1450	13	76	.81	P,S
5.9	7.9	439	1450	13	76	.81	P,S

HT

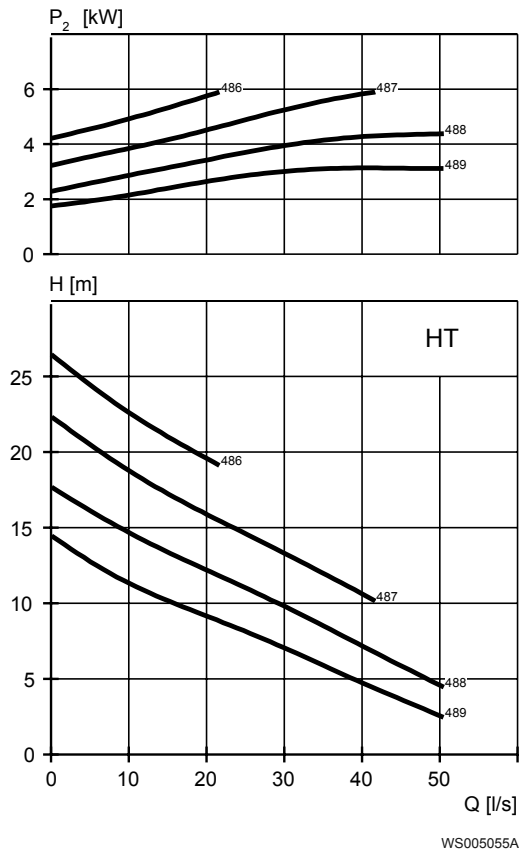


Table 23: 400 V, 50 Hz, 3-phase

Rated power kW	Rated power hp	Curve/ Impeller No	Revolutions per minute, rpm	Rated current, A	Starting current, A	Power factor, cos φ	Installation
4	5.4	489	1455	8.3	56	.84	T,Z
4.7	6.3	487	1445	9.6	56	.86	P,S
4.7	6.3	488	1445	9.6	56	.86	P,S
4.7	6.3	489	1445	9.6	56	.86	P,S
4.7	6.3	487	1460	11	76	.76	T,Z
4.7	6.3	488	1460	11	76	.76	T,Z
4.7	6.3	489	1460	11	76	.76	T,Z
5.9	7.9	486	1450	12	77	.84	P,S
5.9	7.9	487	1450	12	77	.84	P,S
5.9	7.9	488	1450	12	77	.84	P,S
5.9	7.9	489	1450	12	77	.84	P,S

SH

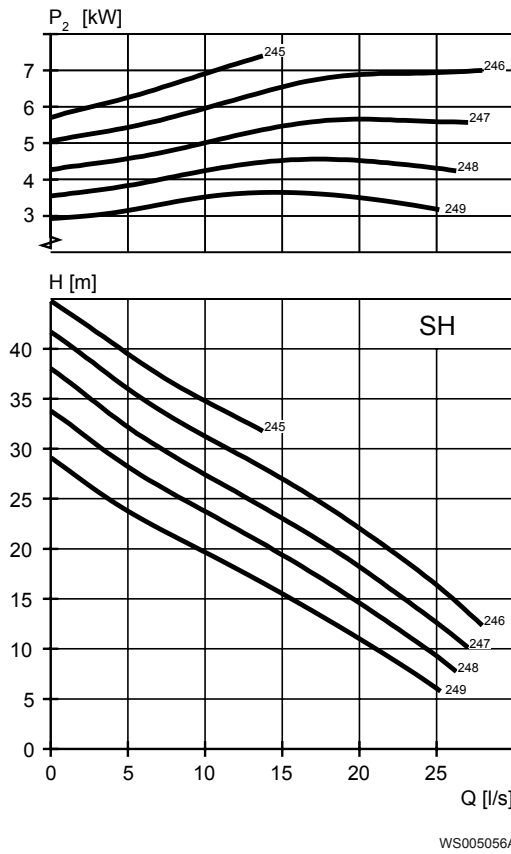


Table 24: 400 V, 50 Hz, 3-phase

Rated power kW	Rated power hp	Curve/ Impeller No	Revolutions per minute, rpm	Rated current, A	Starting current, A	Power factor, cos φ	Installation
7.4	9.9	245	2900	14	114	.91	P,S
7.4	9.9	246	2900	14	114	.91	P,S
7.4	9.9	247	2900	14	114	.91	P,S
7.4	9.9	248	2900	14	114	.91	P,S
7.4	9.9	249	2900	14	114	.91	P,S

P-pump

Product description

Usage

Submersible pump intended for pumping clean and slightly contaminated water.

Denomination

Type	Non explosion proof version	Explosion proof version	Pressure class	Installation types
Cast iron	3127.181	3127.090	LT – Low head	L

The pump can be used in the following installations:

- L Semi permanent, wet well column pipe arrangement where the well is divided into a suction part and a discharge part. Pump end equipped with guide vanes.

Application Limits

Feature	Description
Liquid temperature	Maximum 40°C, (104°F)
Liquid temperature, warm water version	Maximum 70°C, (158°F)
Depth of immersion	Maximum 20 m (65 ft)
pH of the pumped liquid	5.5 – 14
Liquid density	Maximum 1100 kg/m ³

Motor data

Feature	Description
Motor type	Squirrel-cage induction motor
Frequency	50 Hz
Power supply	3-phase
Starting method	<ul style="list-style-type: none"> • Direct on-line • Star-delta
Number of starts per hour	Maximum 30
Code compliance	IEC 60034-1
Rated output variation	±10%
Voltage variation	<ul style="list-style-type: none"> • Continuously running: Maximum ±5% • Intermittent running: Maximum ±10%
Voltage imbalance between phases	Maximum 2%
Insulation class	H (180°C, 356°F)

Cables

Application	Type	Denomination
Direct-on-line start	SUBCAB® heavy-duty submersible cable	7G2.5+2×1.5 mm ²
Y/D start	SUBCAB® heavy-duty submersible cable	7G2.5+2×1.5 mm ²

Monitoring Equipment

- Thermal contacts opening temperature 125° C (257° F)

Materials

Denomination	Material	ASTM	EN
Major castings	Cast iron, gray	35B	GJL-250
Pump housing	Cast iron, gray	35B	GJL-250
Propeller	Alumimum bronze	C 95 500	CC333G
Lifting handle	Stainless steel	AISI 316L	1.4404,1.4432, ...
Shaft	Stainless steel	AISI 431	1.4057+QT800
Screws and nuts	Stainless steel, A4	AISI 316L, 316, 316Ti	1.4401,1.4404, ...
O-rings, alternative 1	Nitrile rubber (NBR) 70° IRH		
O-rings, alternative 2	Fluorinated rubber (FPM) 70° IRH		
Oil Part No 901752	Medical white oil of paraffin type. Fulfills FDA 172.878 (a)		

Table 25: Mechanical face seals

Alternative	Inner seal	Outer seal
1	Aluminum oxide/ Corrosion resistant cemented carbide	Corrosion resistant cemented carbide/ Corrosion resistant cemented carbide
2	Corrosion resistant cemented carbide/ Corrosion resistant cemented carbide	Corrosion resistant cemented carbide/ Corrosion resistant cemented carbide
3	Corrosion resistant cemented carbide/ Corrosion resistant cemented carbide	Silicon carbide/ Silicon carbide

Surface Treatment

Priming	Finish
Painted with a primer, see internal standard M0700.00.0002	Navy gray color NCS 5804-B07G. Two-component high-solid top coating, see internal standard M0700.00.0004 for standard painting and M0700.00.0008 for special painting.

Options

- Leakage sensor in the stator housing (FLS)
- Leakage sensor in the oil housing (CLS)
- Surface treatment (Epoxy)

- Zinc anodes
- Other cables

Accessories

Discharge connections, adapters, hose connections, and other mechanical accessories.
 Electrical accessories such as pump controller, control panels, starters, monitoring relays, cables.
 For more information, see separate booklet or our website.

Motor rating and performance curves

Star-delta starting current is 1/3 of Direct on-line starting current.

LT

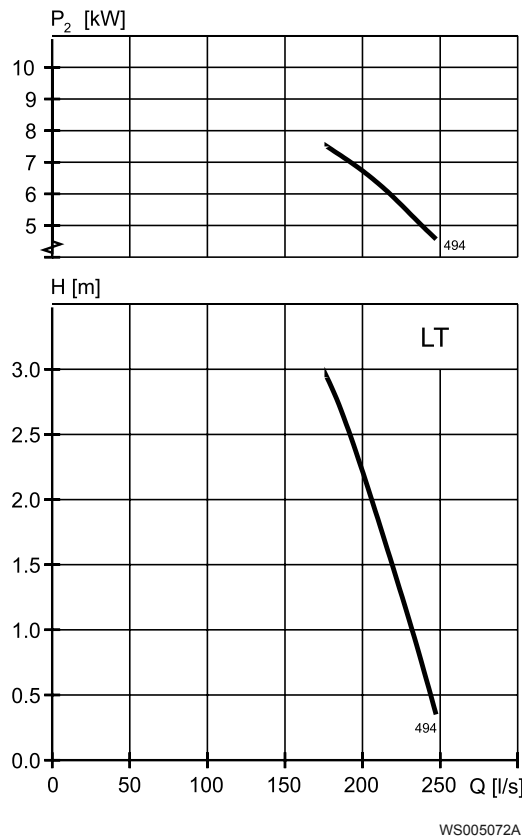


Table 26: 400 V, 50 Hz, 3-phase

Rated power, kW	Rated power, hp	Curve/ Impeller No	Blade angle, °	Revolution s per minute, rpm	Rated current, A	Starting current, A	Power factor, cos φ	Installation
7.5	10.1	494	16	1435	15	77	.86	L

Dimensions and Weight

Drawings, C-pump

All drawings are available as Acrobat documents (.pdf) and AutoCad drawings (.dwg).
Contact your sales representative for more information.

All dimensions are in mm.

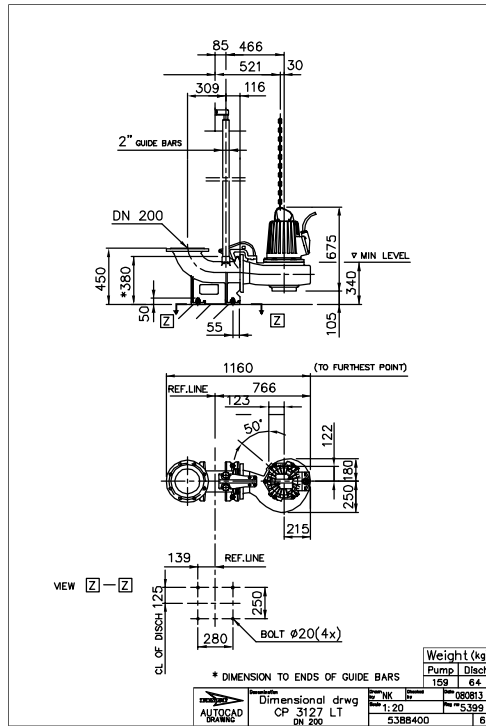


Figure 1: LT, P-installation

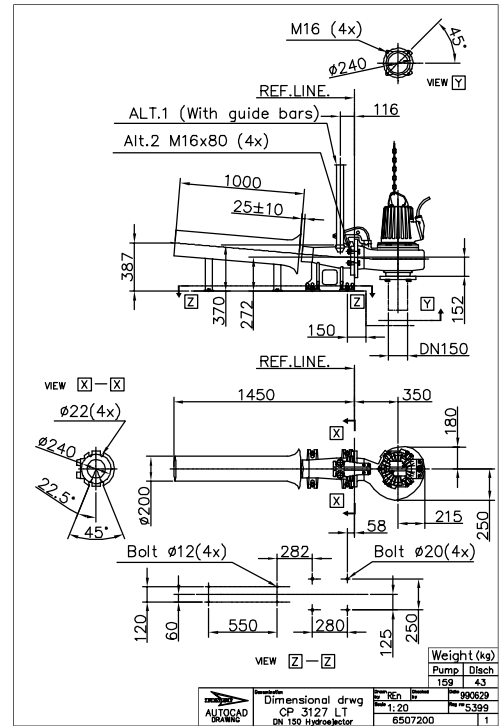


Figure 2: LT, P-installation

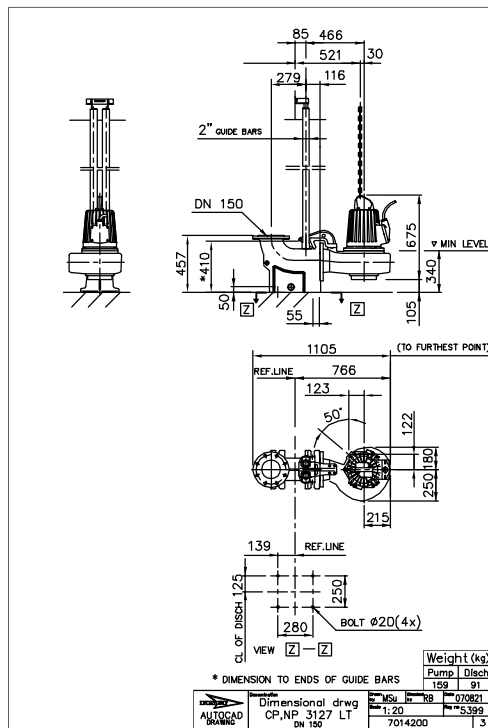


Figure 3: LT, P-installation

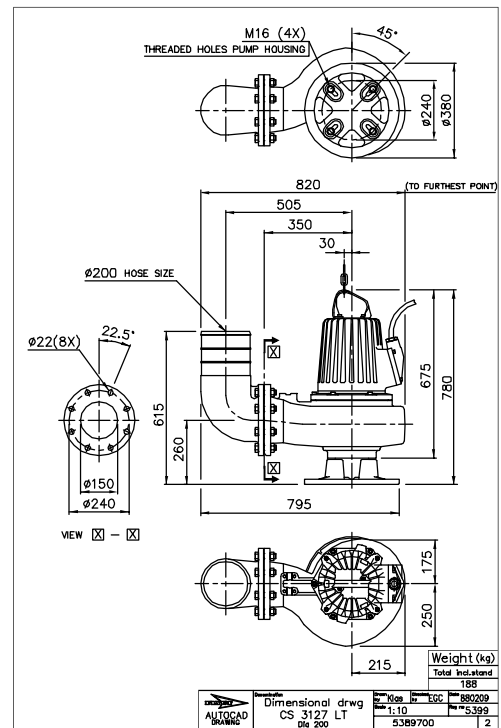


Figure 4: LT, S-installation

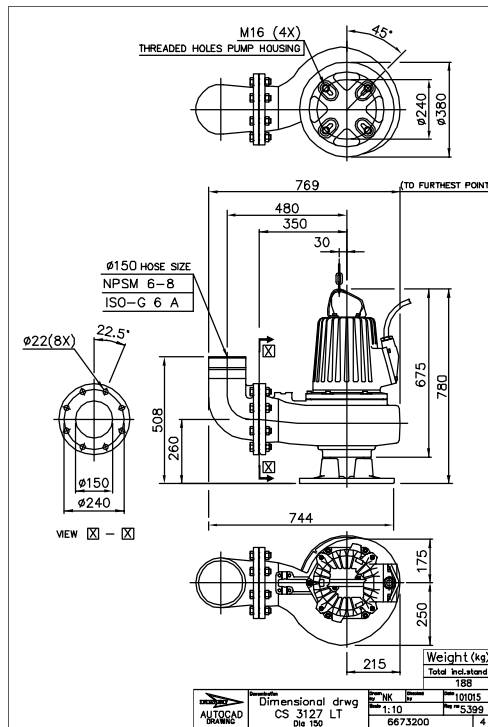


Figure 5: LT, S-installation

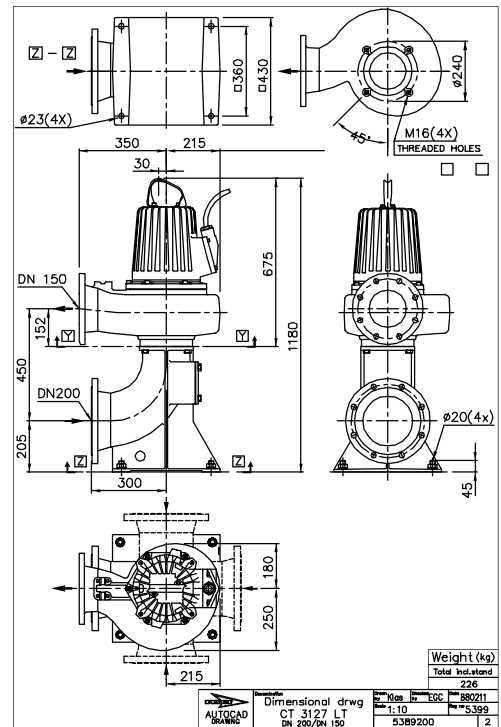


Figure 6: LT, T-installation

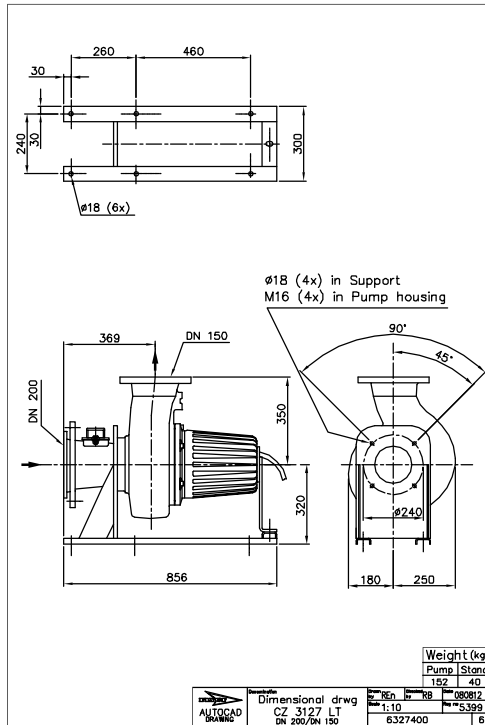


Figure 7: LT, Z-installation

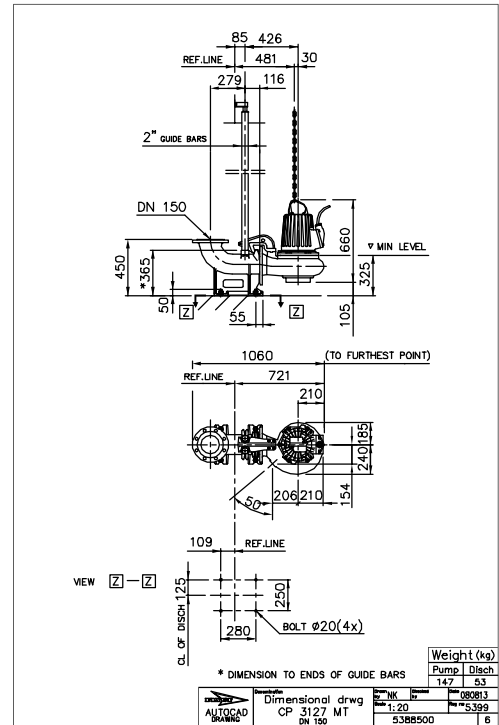


Figure 8: MT, P-installation

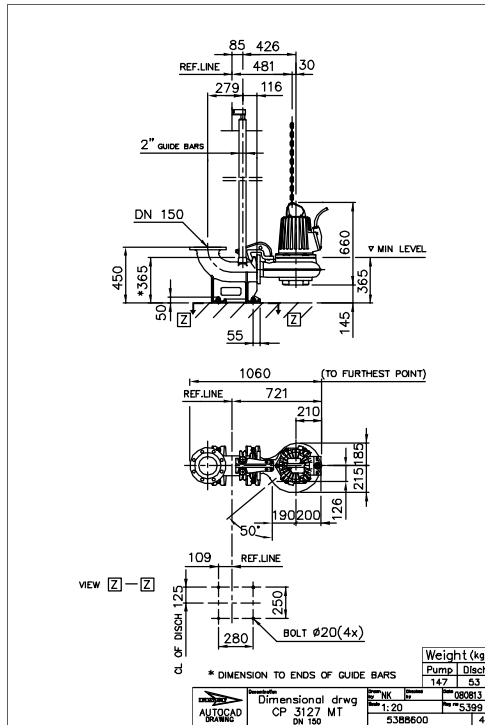


Figure 9: MT, P-installation

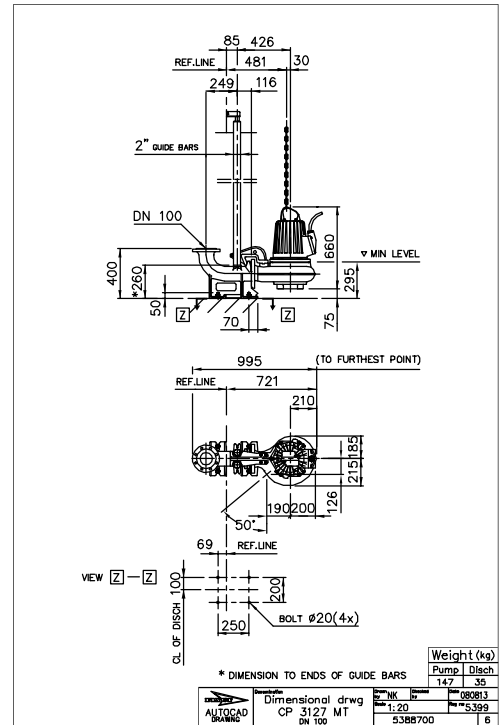


Figure 10: MT, P-installation

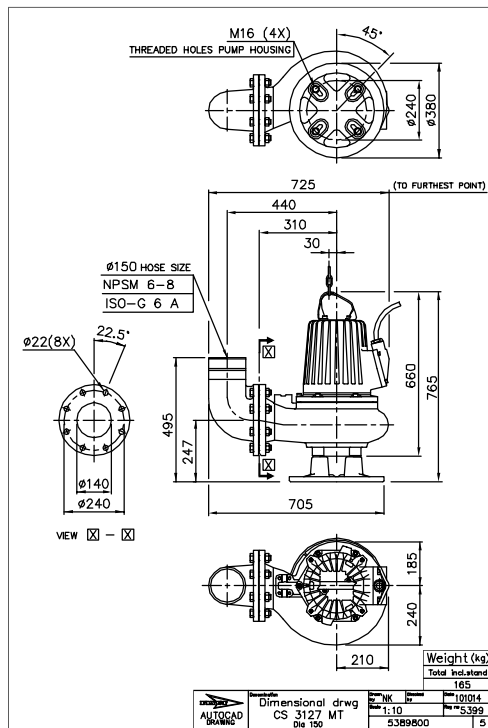


Figure 11: MT, S-installation

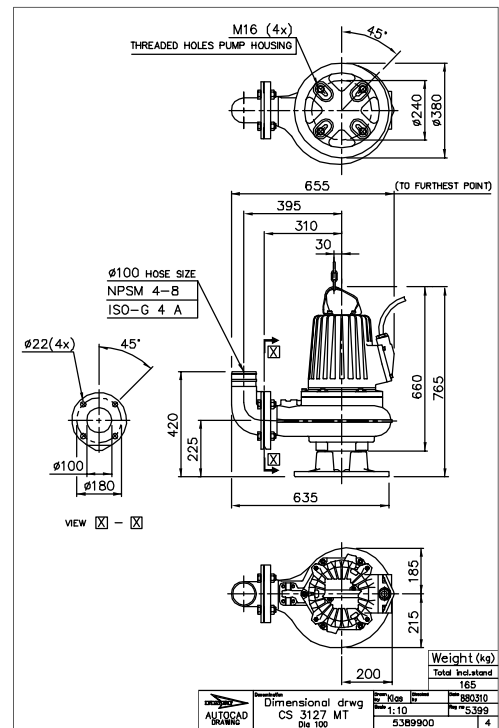


Figure 12: MT, S-installation

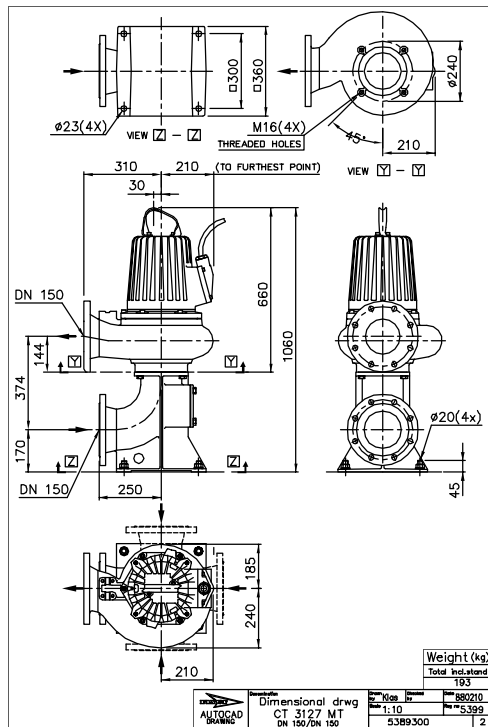


Figure 13: MT, T-installation

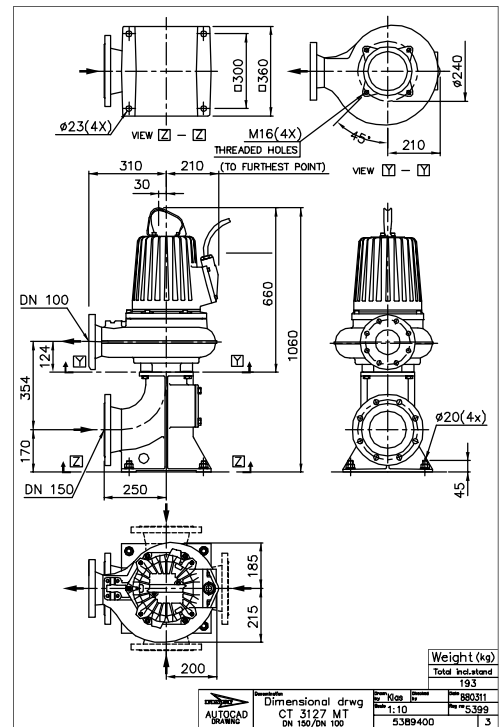


Figure 14: MT, T-installation

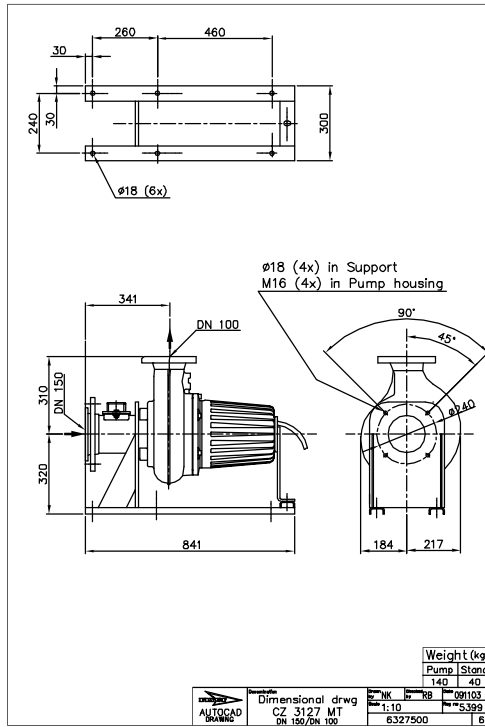


Figure 15: MT, Z-installation

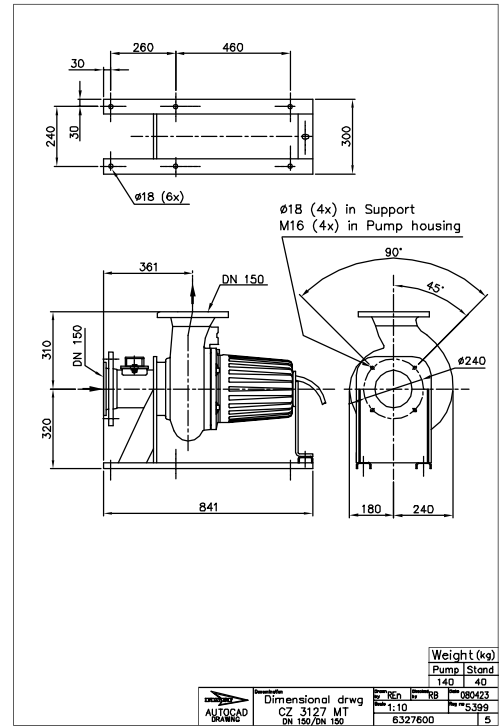


Figure 16: MT, Z-installation

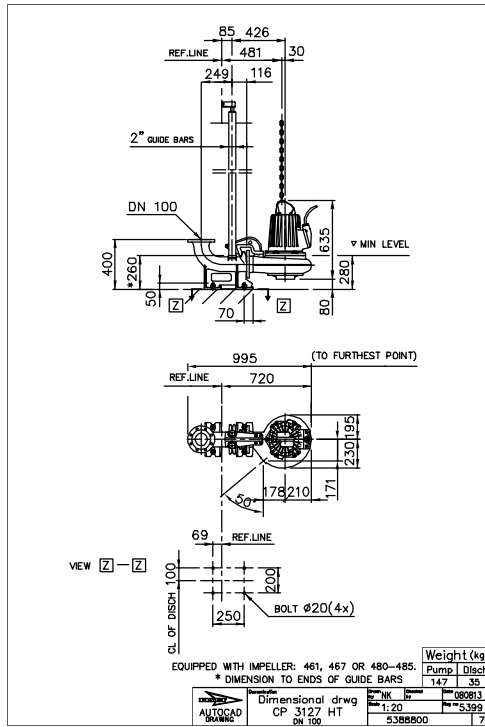


Figure 17: HT, P-installation

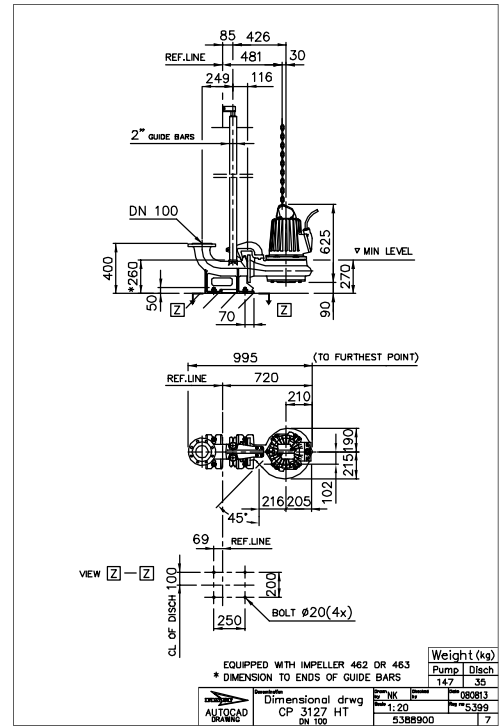


Figure 18: HT, P-installation

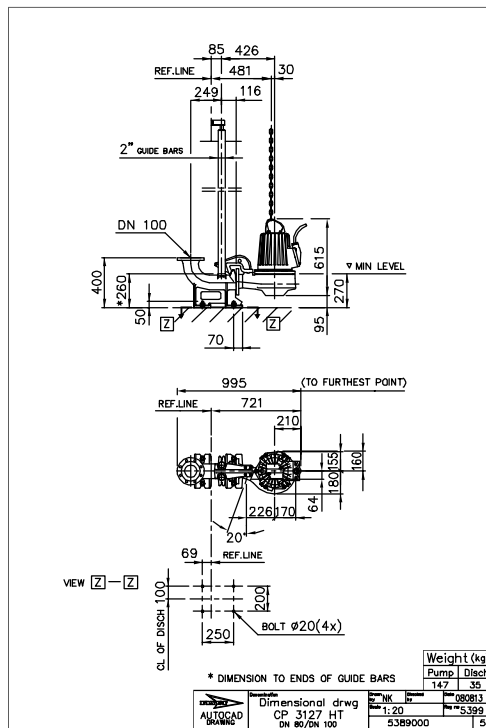


Figure 19: HT, P-installation

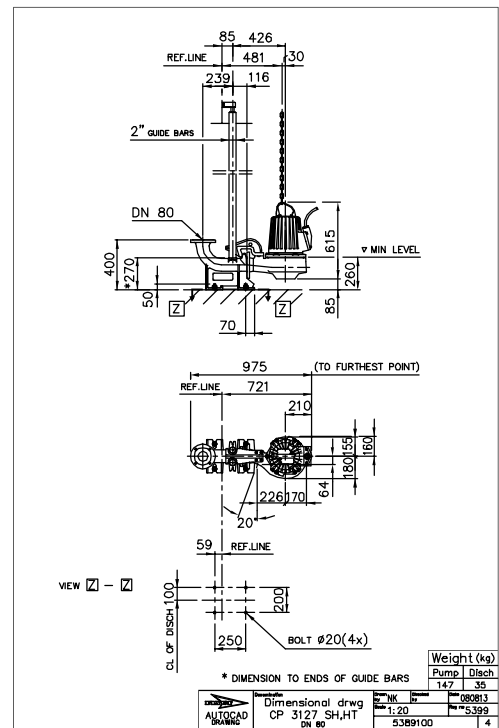


Figure 20: HT/SH, P-installation

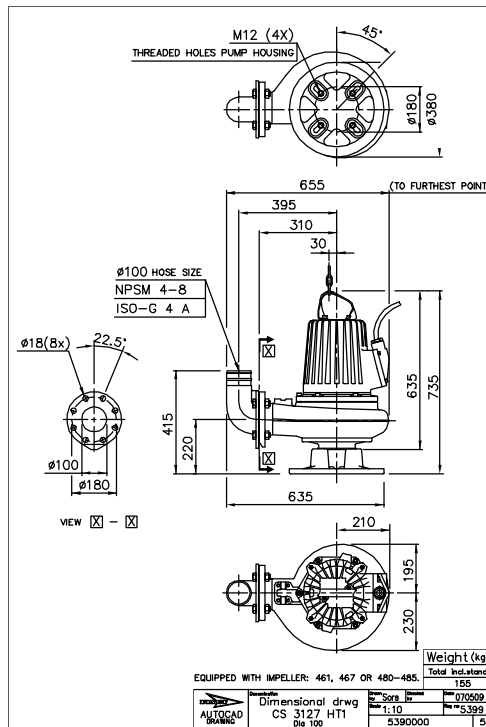


Figure 21: HT, S-installation

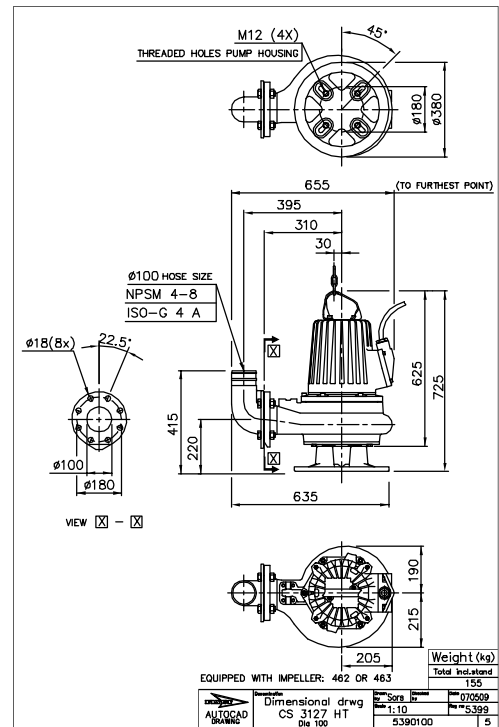


Figure 22: HT, S-installation

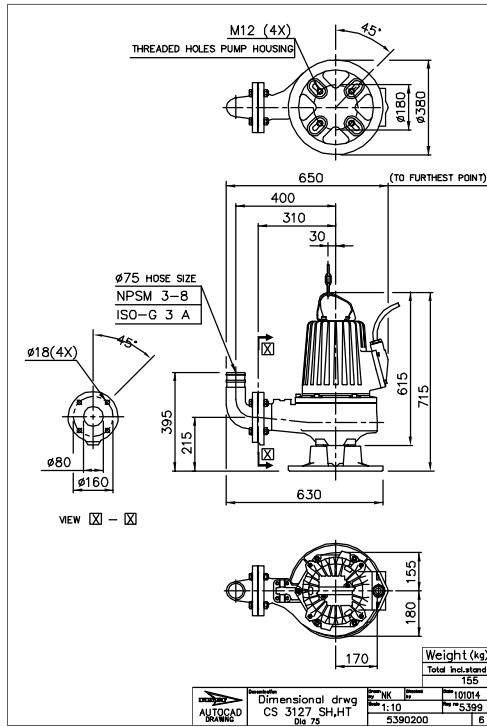


Figure 23: HT/SH, S-installation

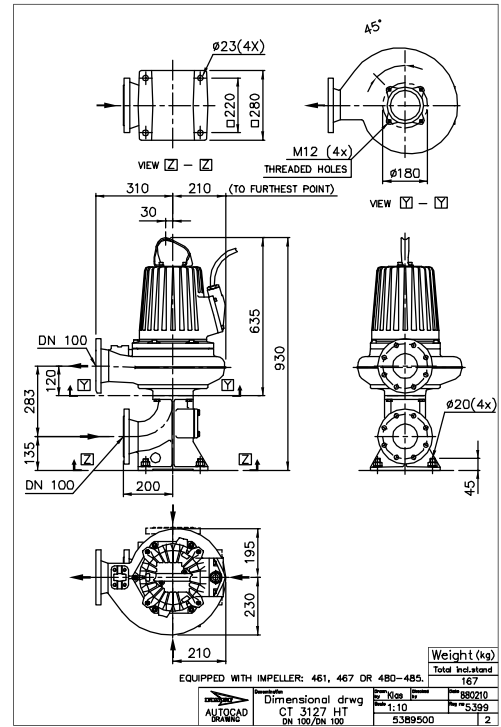


Figure 24: HT, T-installation

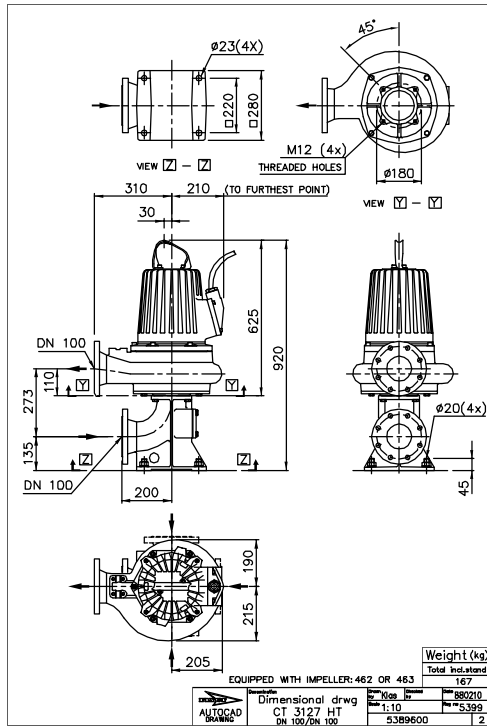


Figure 25: HT, T-installation

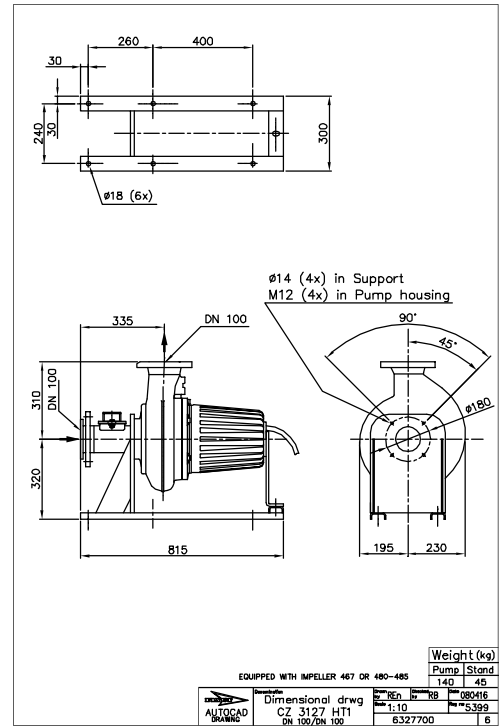


Figure 26: HT, Z-installation

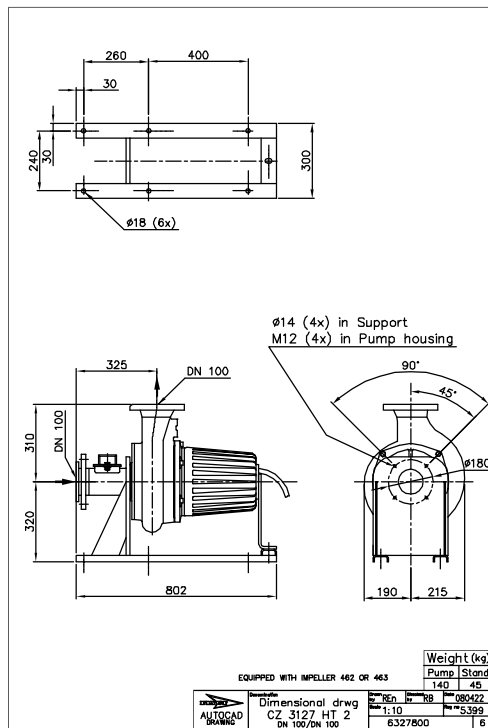


Figure 27: HT, Z-installation

Drawings, D-pump

All drawings are available as Acrobat documents (.pdf) and AutoCad drawings (.dwg). Contact your sales representative for more information.

All dimensions are in mm.

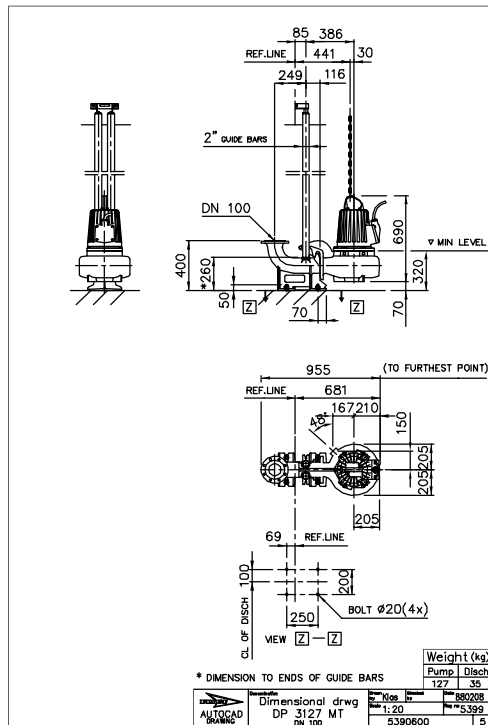


Figure 28: MT, P-installation

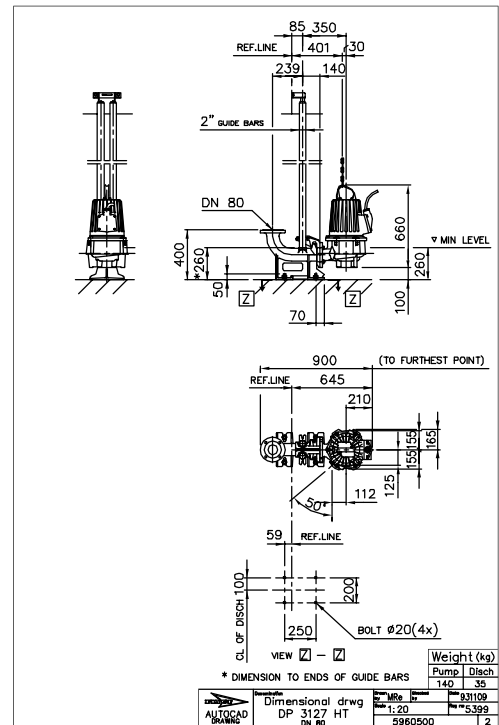


Figure 29: HT, P-installation

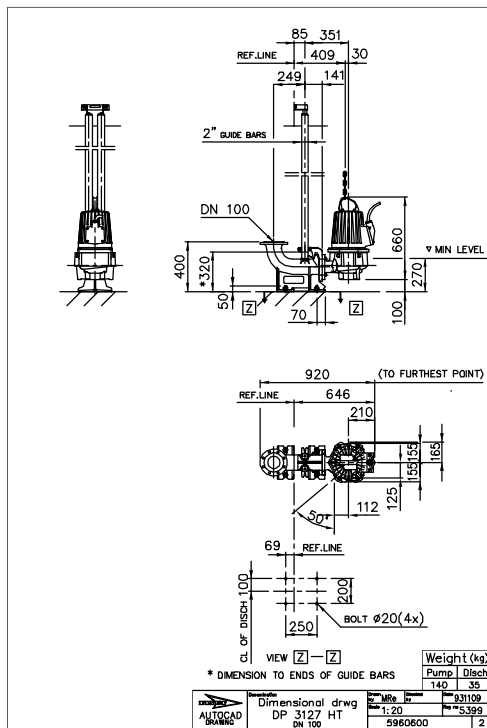


Figure 30: HT, P-installation

Drawings, F-pump

All drawings are available as Acrobat documents (.pdf) and AutoCad drawings (.dwg). Contact your sales representative for more information.

All dimensions are in mm.

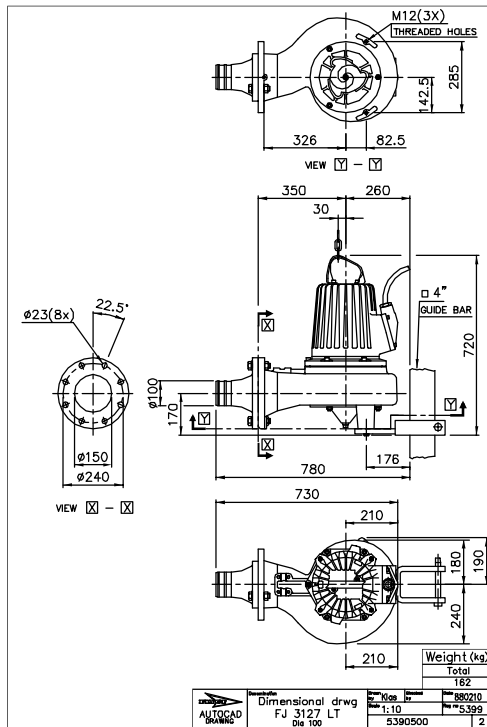


Figure 31: LT, J-installation

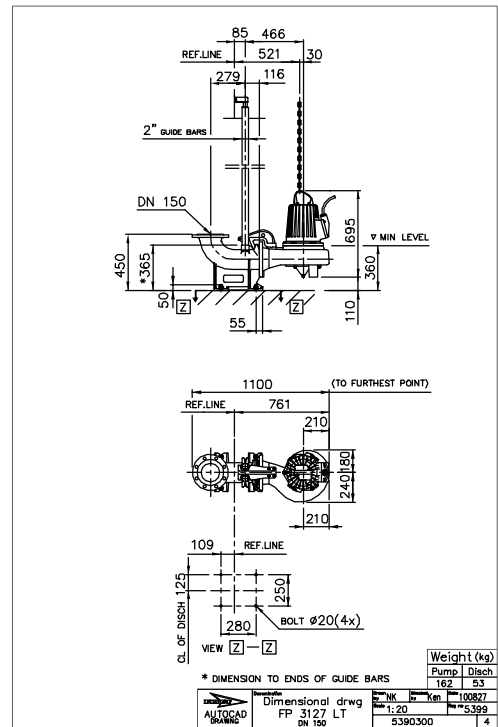


Figure 32: LT, P-installation

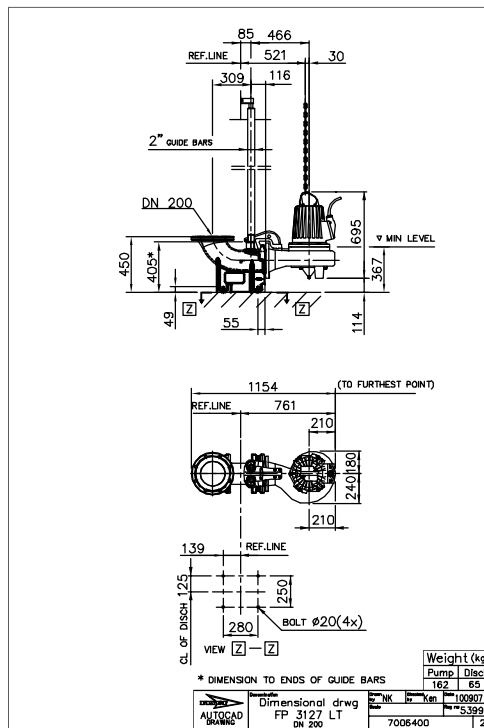


Figure 33: LT, P-installation

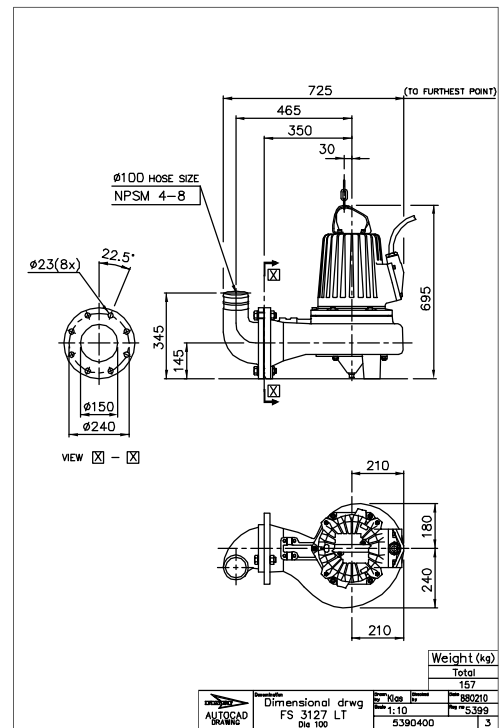


Figure 34: LT, S-installation

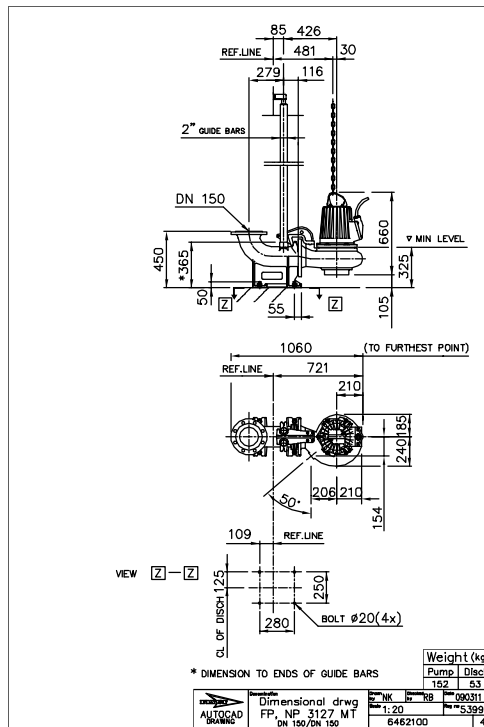


Figure 35: MT, P-installation

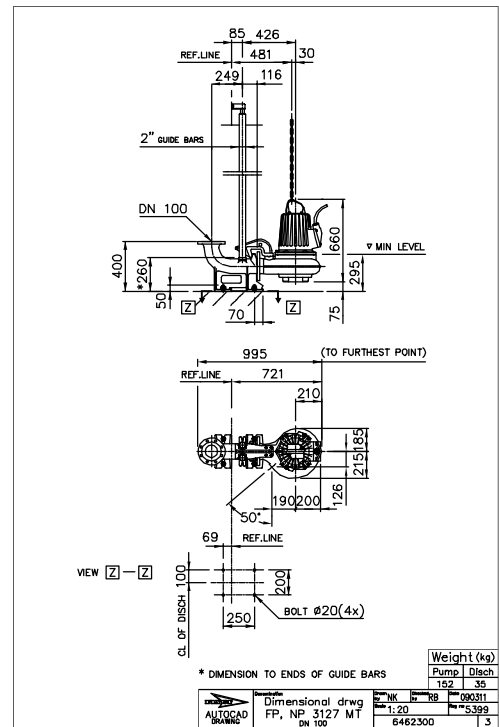


Figure 36: MT, S-installation

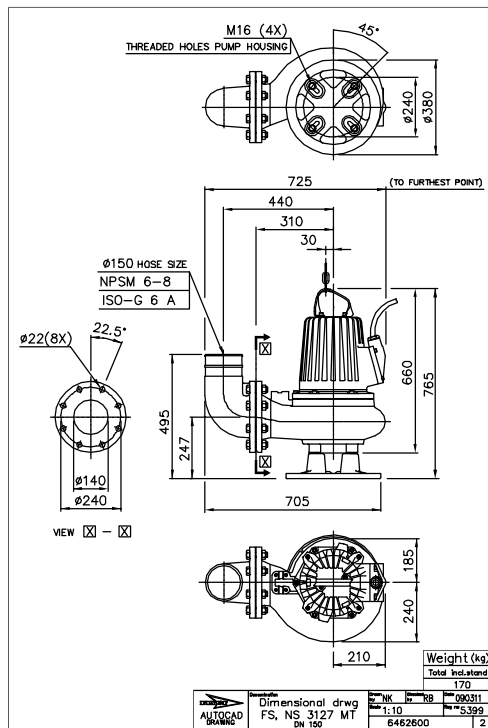


Figure 37: MT, S-installation

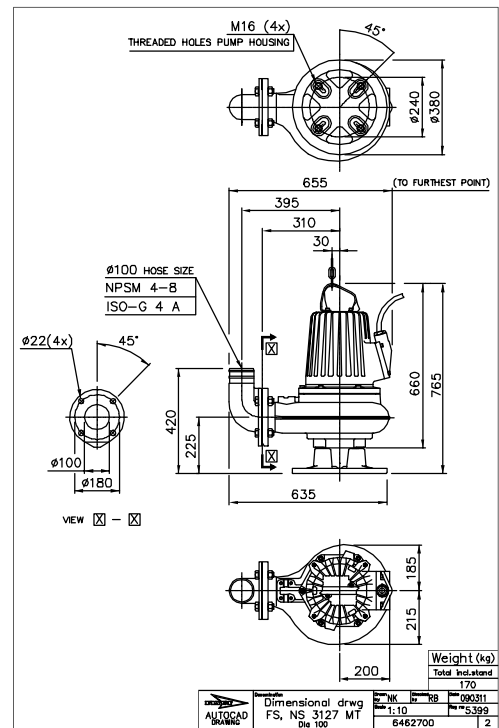


Figure 38: MT, S-installation

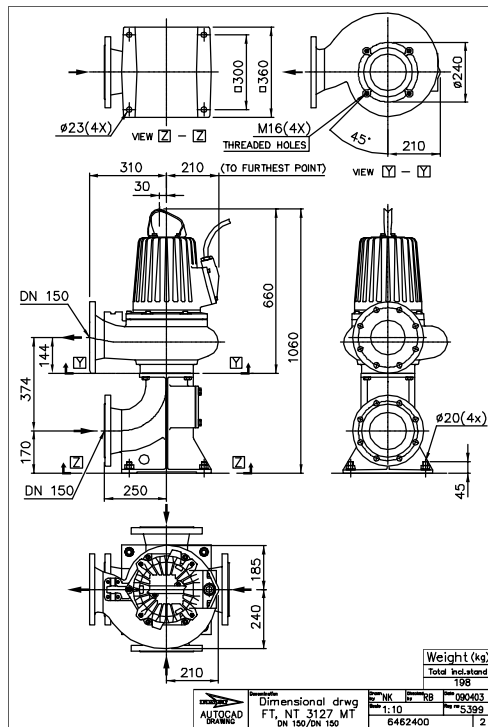


Figure 39: MT, T-installation

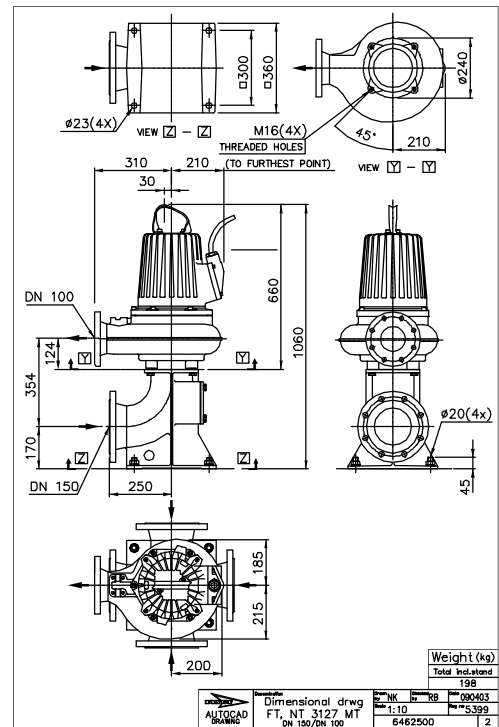


Figure 40: MT, T-installation

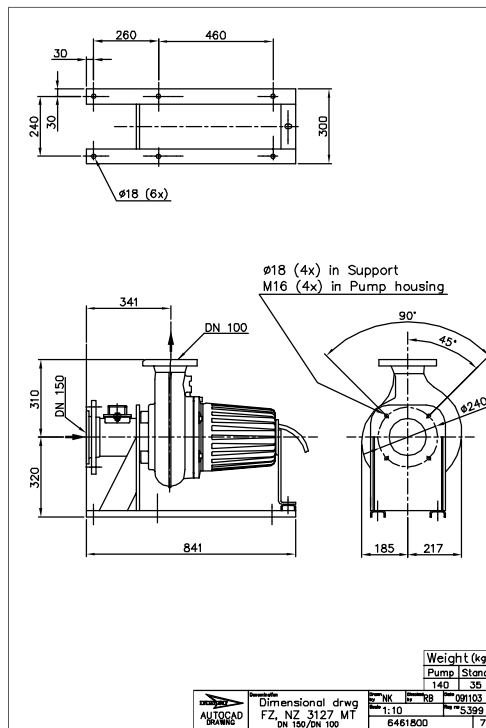


Figure 41: MT, Z-installation

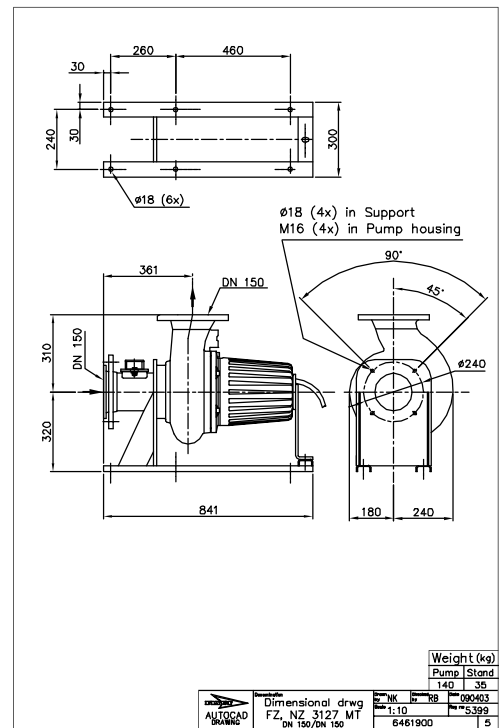


Figure 42: MT, Z-installation

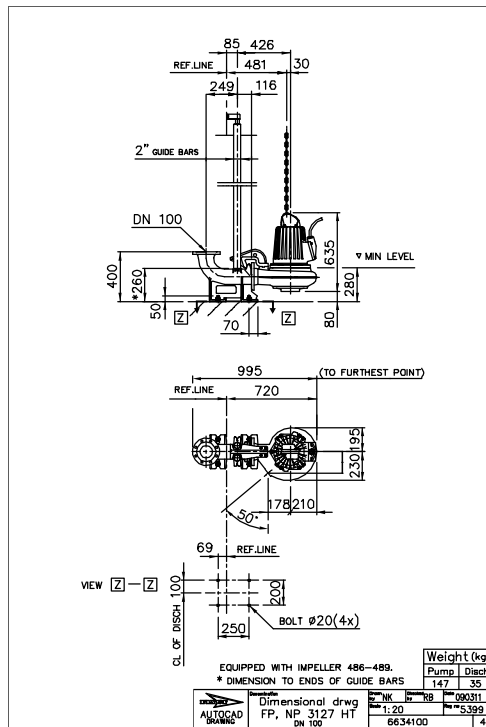


Figure 43: HT, P-installation

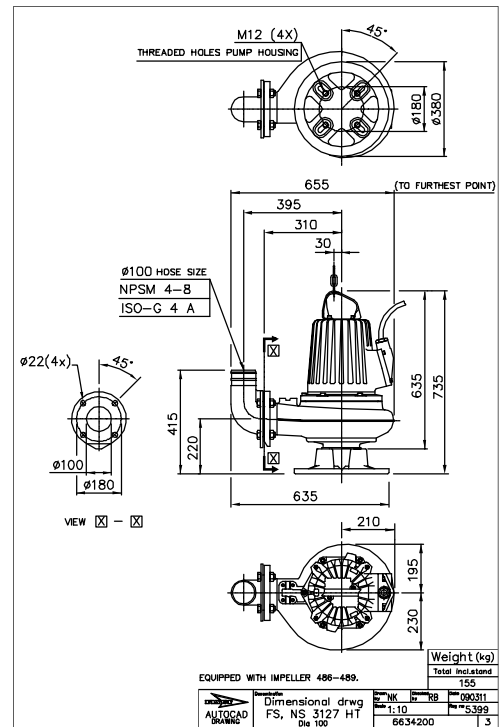


Figure 44: HT, S-installation

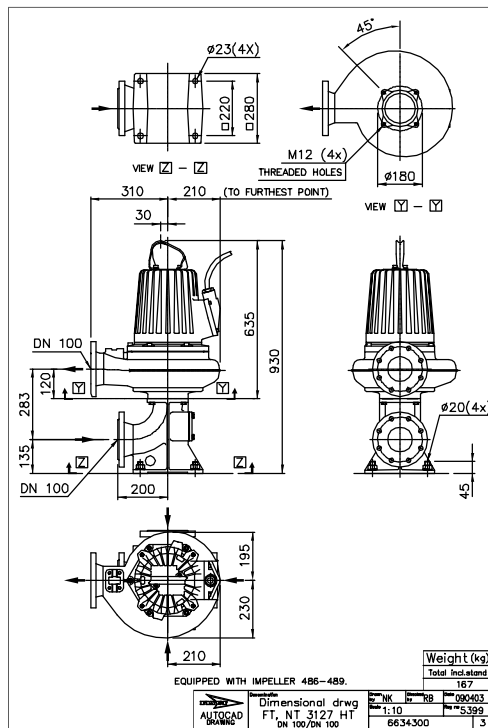


Figure 45: HT, T-installation

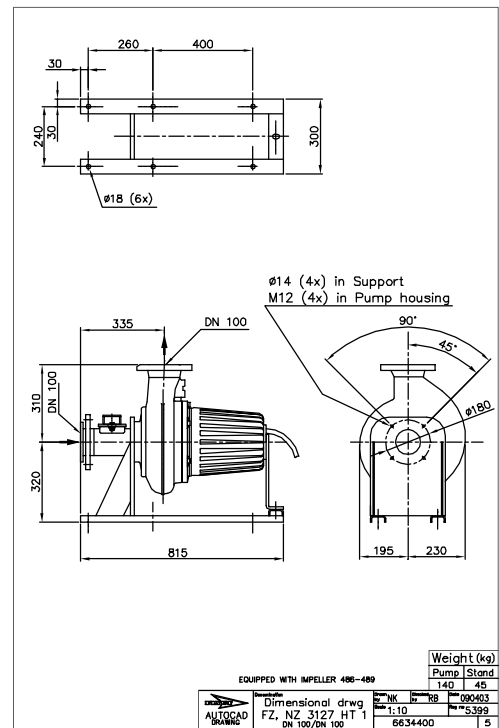


Figure 46: HT, Z-installation

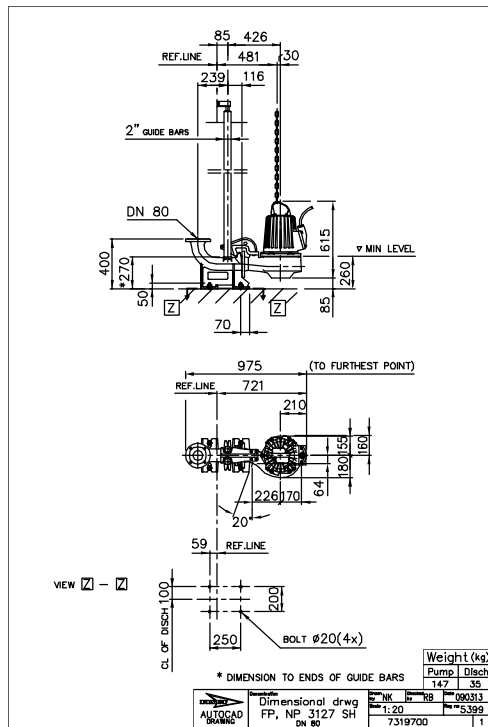


Figure 47: SH, P-installation

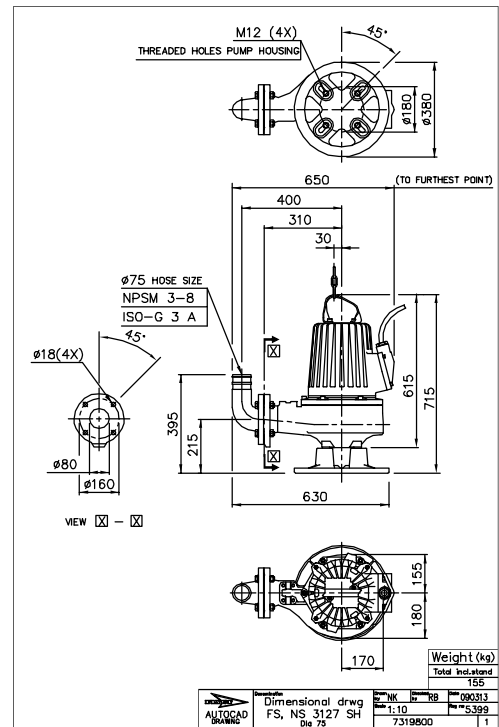


Figure 48: SH, S-installation

Drawings, H-pump

All drawings are available as Acrobat documents (.pdf) and AutoCad drawings (.dwg). Contact your sales representative for more information.

All dimensions are in mm.

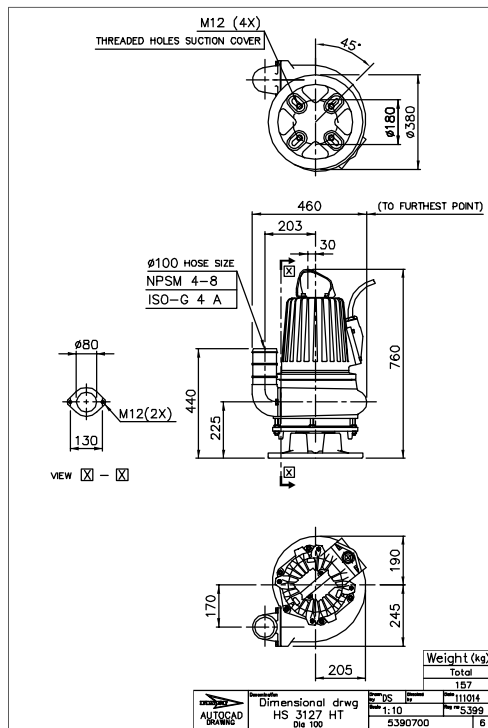


Figure 49: HT, S-installation

Drawings, L-pump

All drawings are available as Acrobat documents (.pdf) and AutoCad drawings (.dwg).
Contact your sales representative for more information.

All dimensions are in mm.

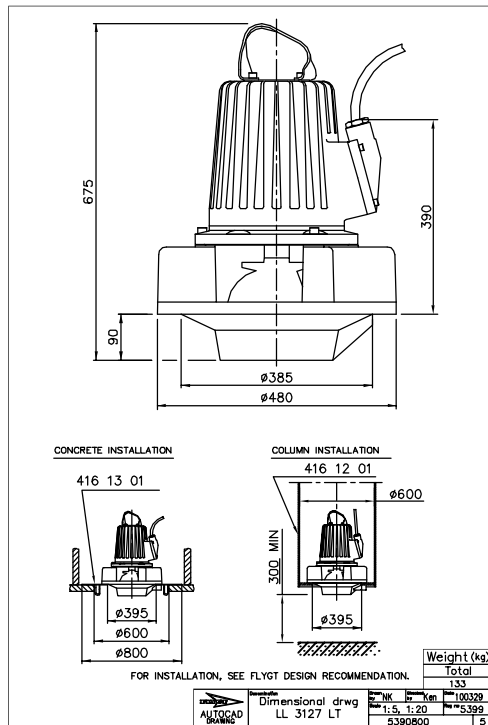


Figure 50: LT, L-installation

Drawings, M-pump

All drawings are available as Acrobat documents (.pdf) and AutoCad drawings (.dwg).
Contact your sales representative for more information.

All dimensions are in mm.

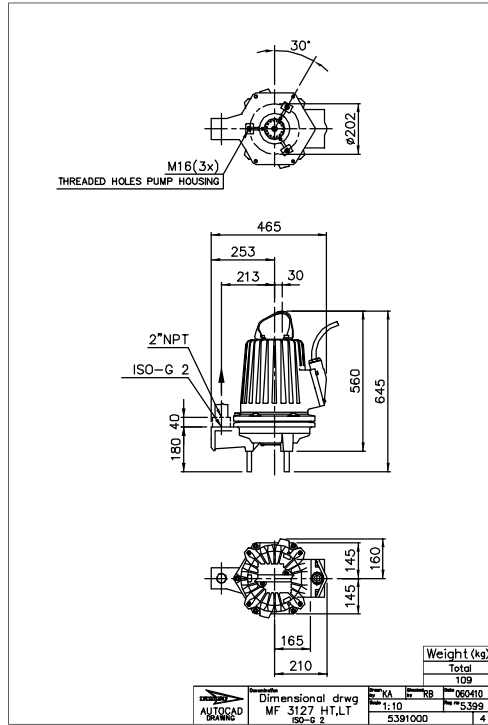


Figure 51: LT/HT, F-installation

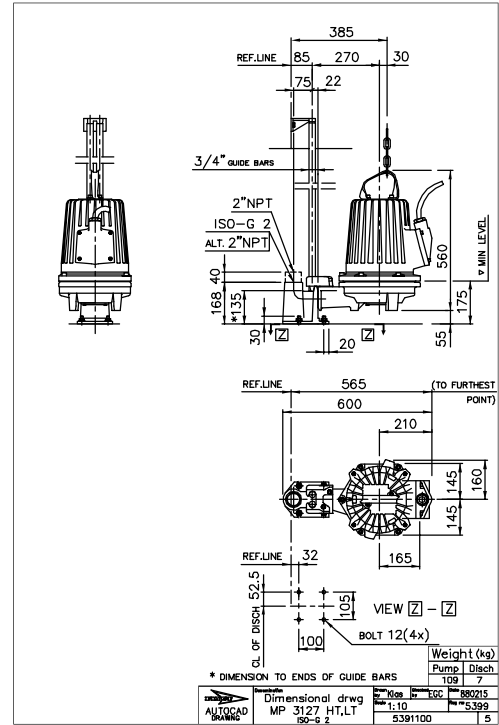


Figure 52: LT/HT, P-installation

Drawings, N-pump

All drawings are available as Acrobat documents (.pdf) and AutoCad drawings (.dwg).
Contact your sales representative for more information.

All dimensions are in mm.

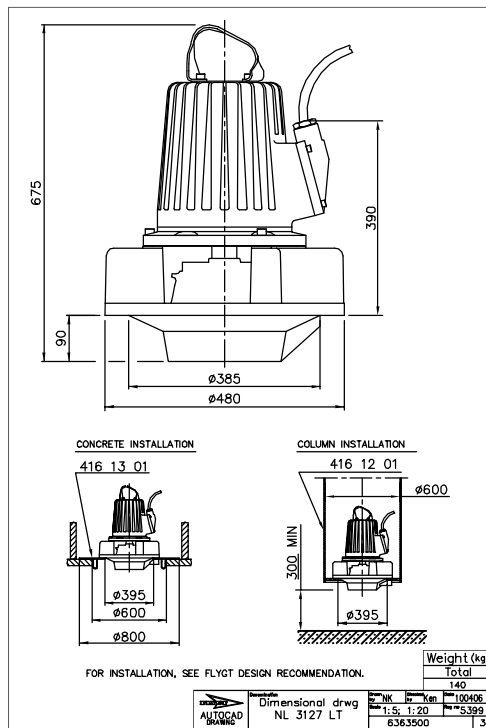


Figure 53: LT, L-installation

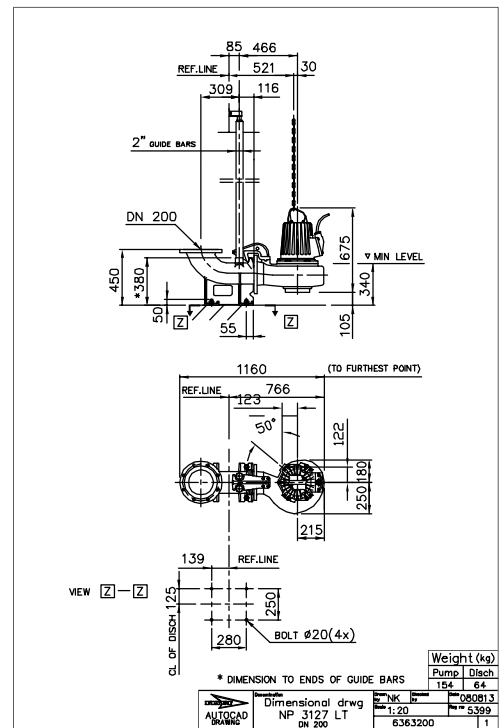


Figure 54: LT, P-installation

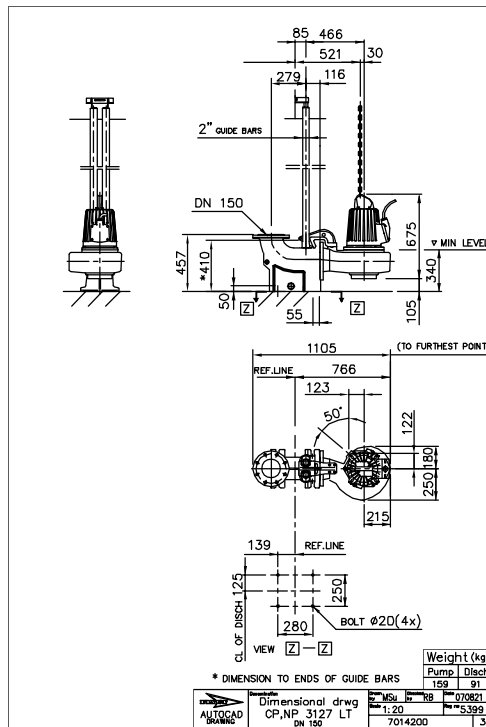


Figure 55: LT, P-installation

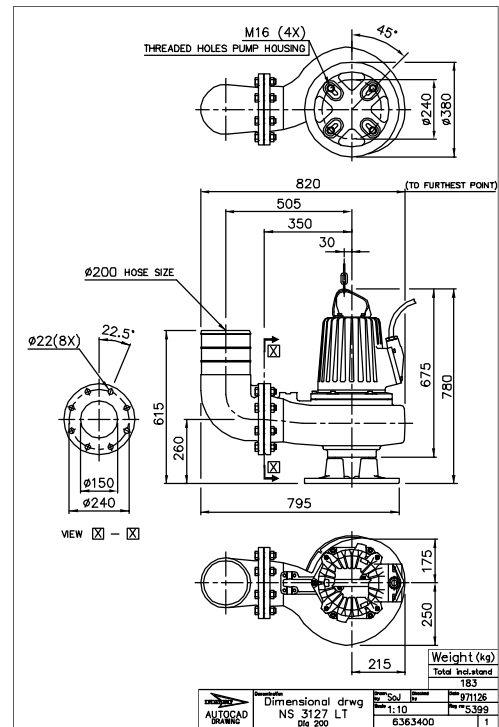


Figure 56: LT, S-installation

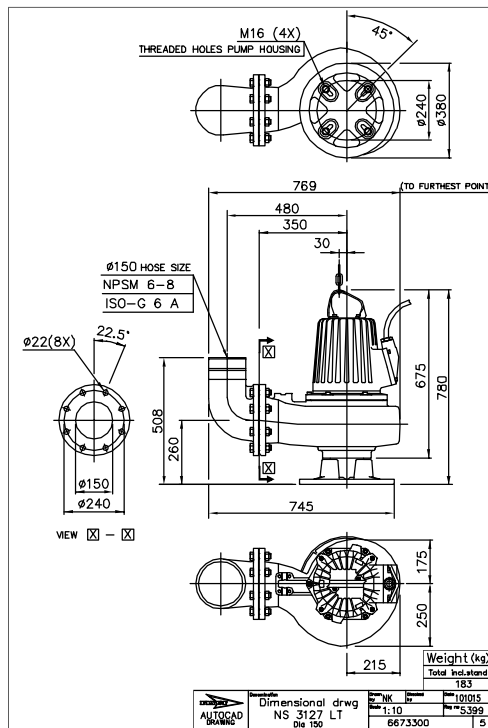


Figure 57: LT, S-installation

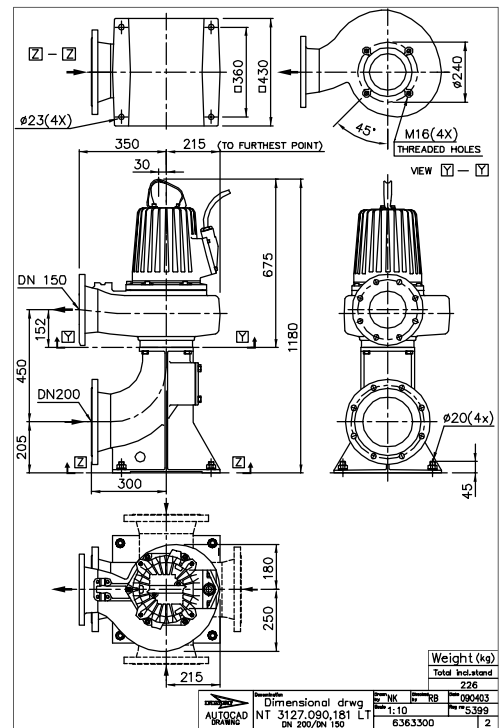


Figure 58: LT, T-installation

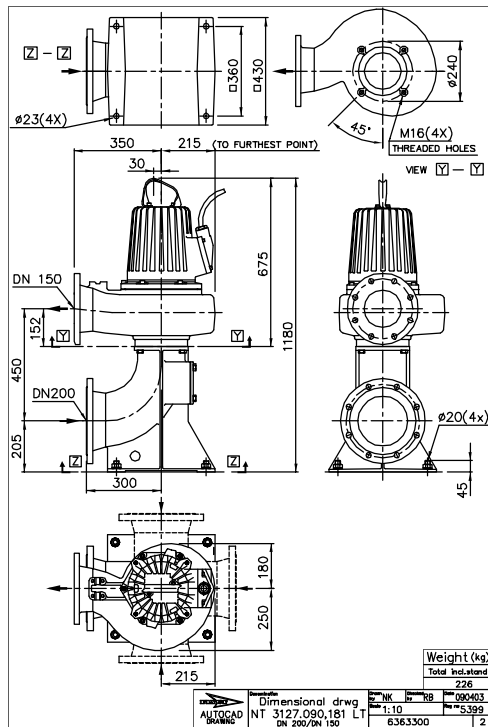


Figure 59: LT, T-installation

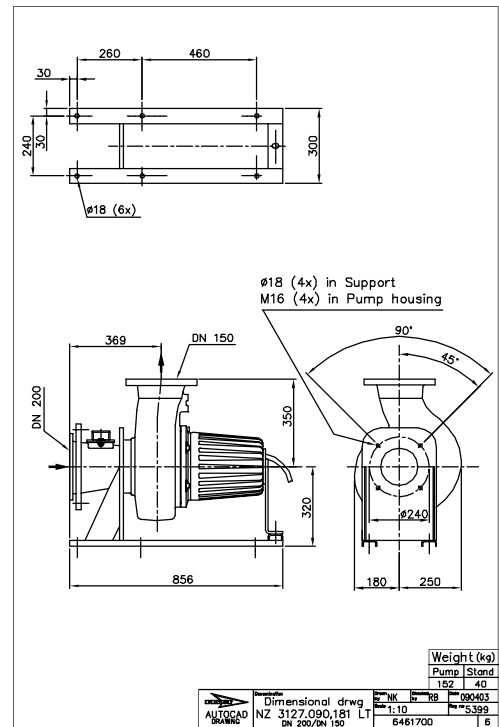


Figure 60: LT, Z-installation

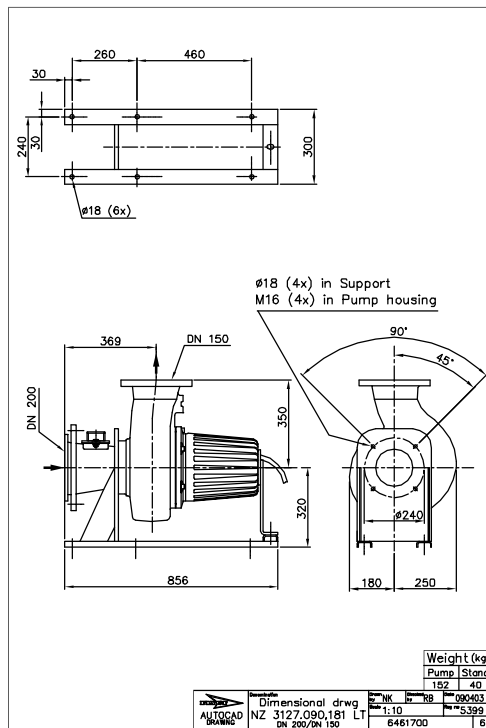


Figure 61: LT, Z-installation

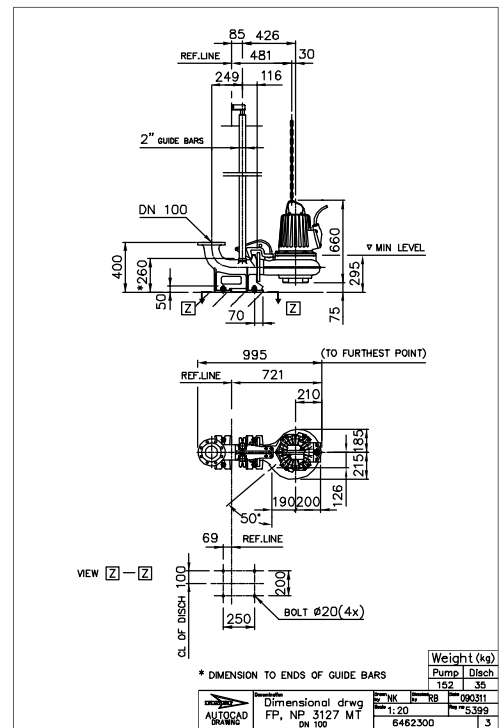


Figure 62: MT, P-installation

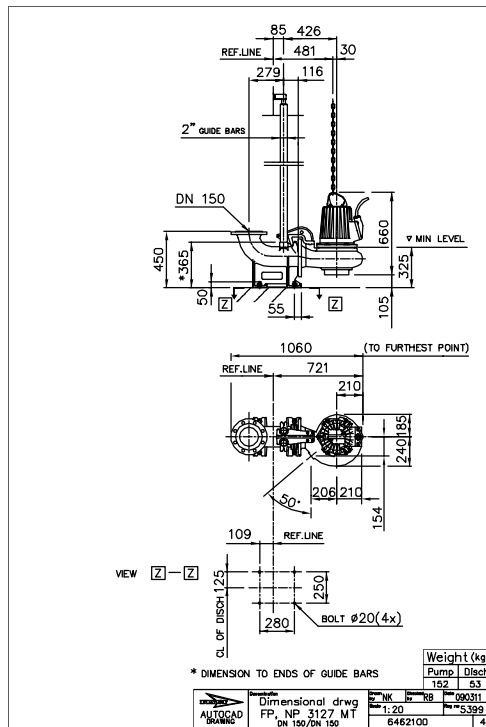


Figure 63: MT, P-installation

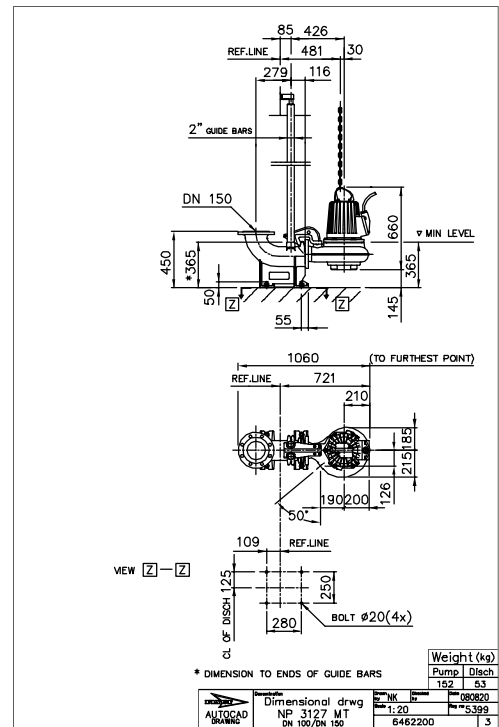


Figure 64: MT, P-installation

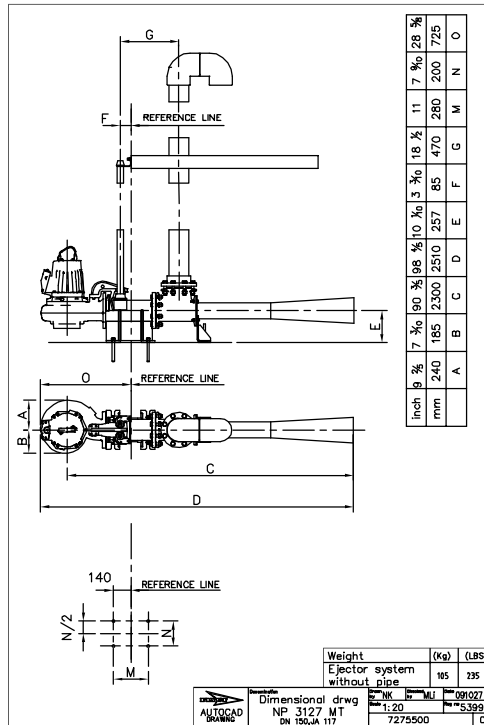


Figure 65: MT, P-installation

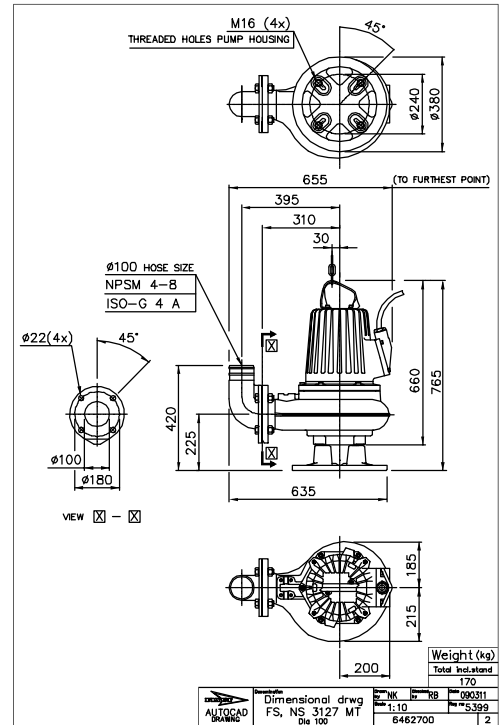


Figure 66: MT, S-installation

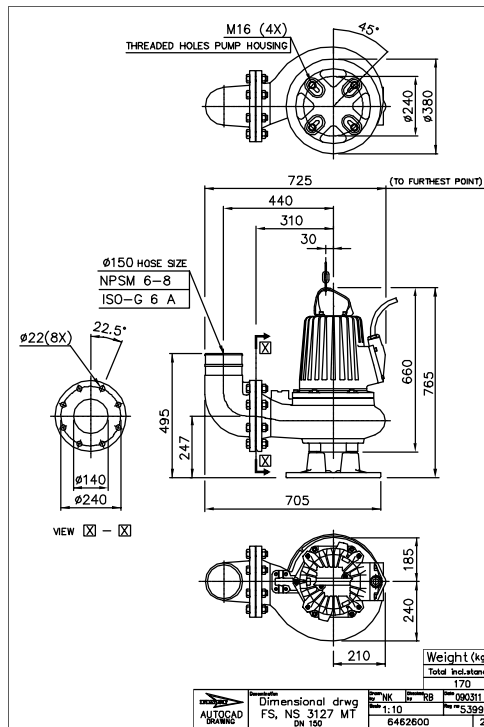


Figure 67: MT, S-installation

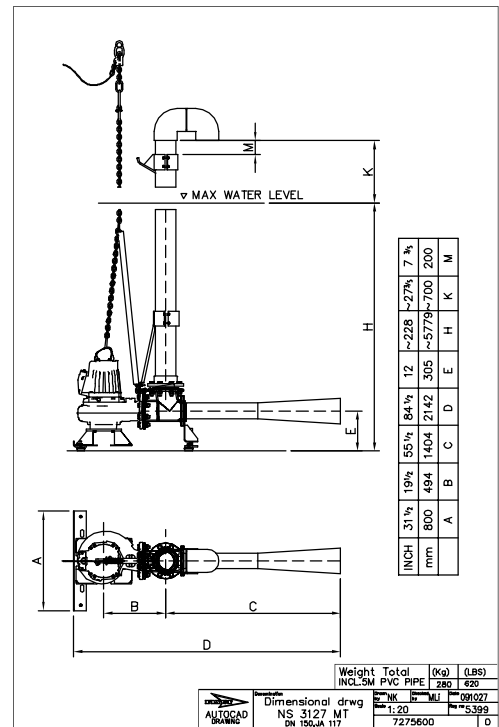


Figure 68: MT, S-installation

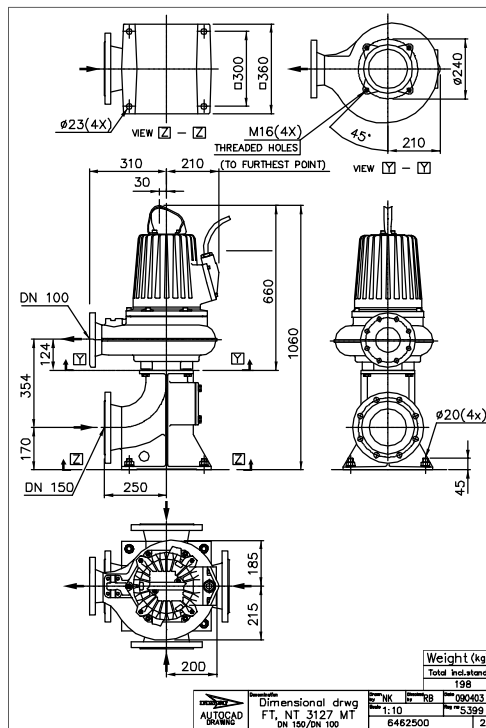


Figure 69: MT, T-installation

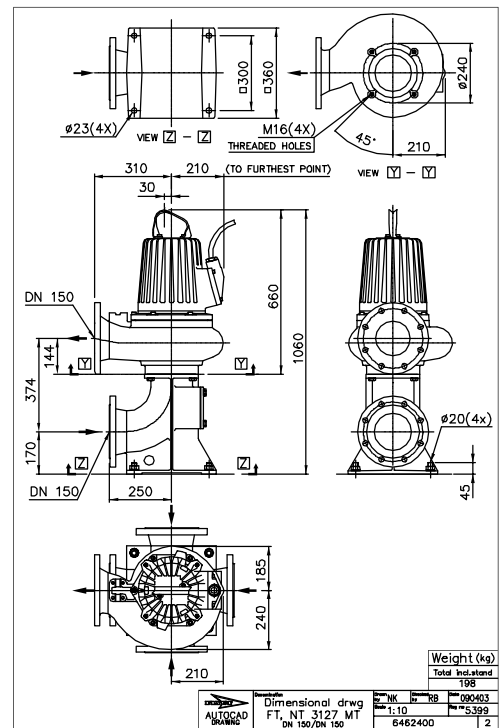


Figure 70: MT, T-installation

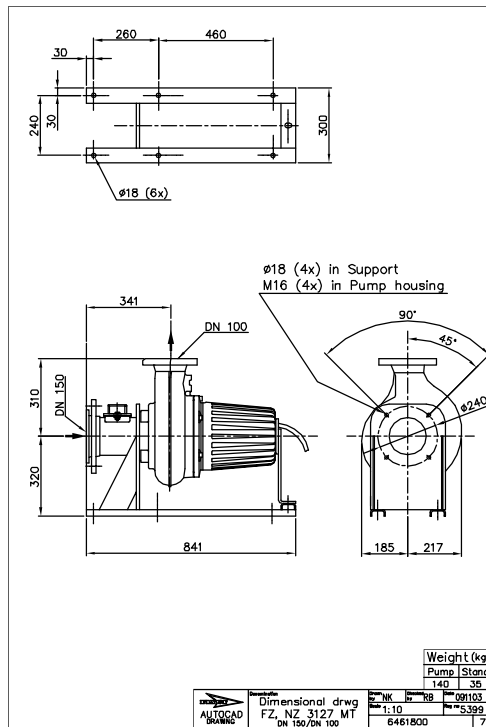


Figure 71: MT, Z-installation

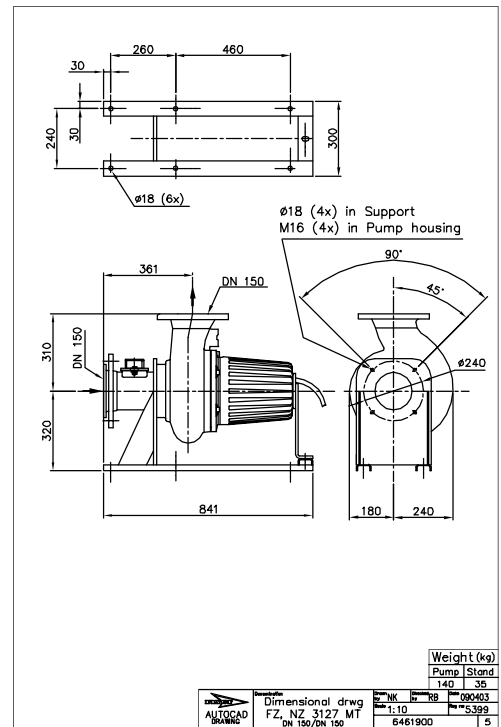


Figure 72: MT, Z-installation

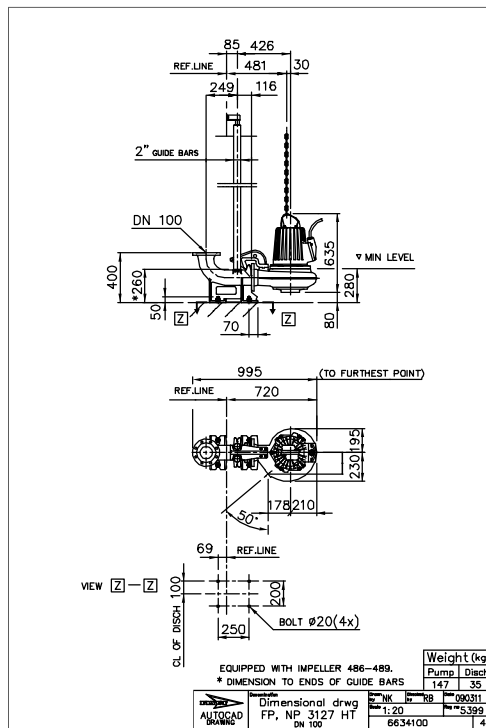


Figure 73: HT, P-installation

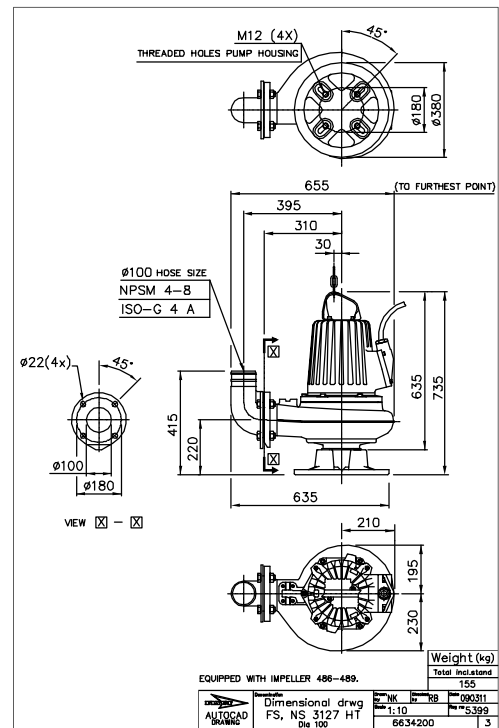


Figure 74: HT, S-installation

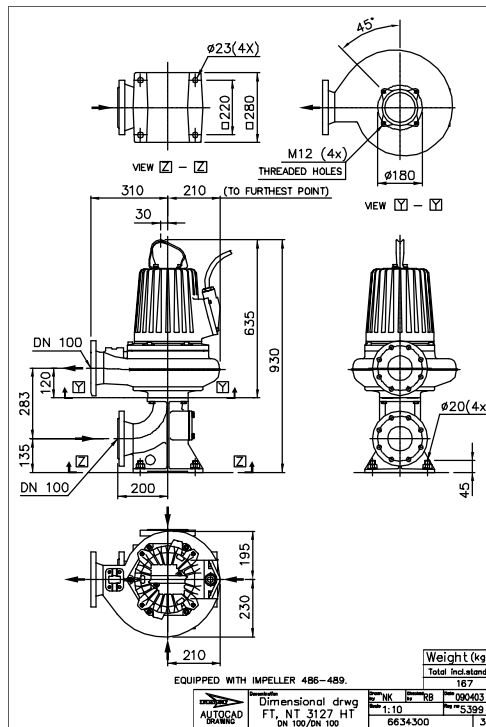


Figure 75: HT, T-installation

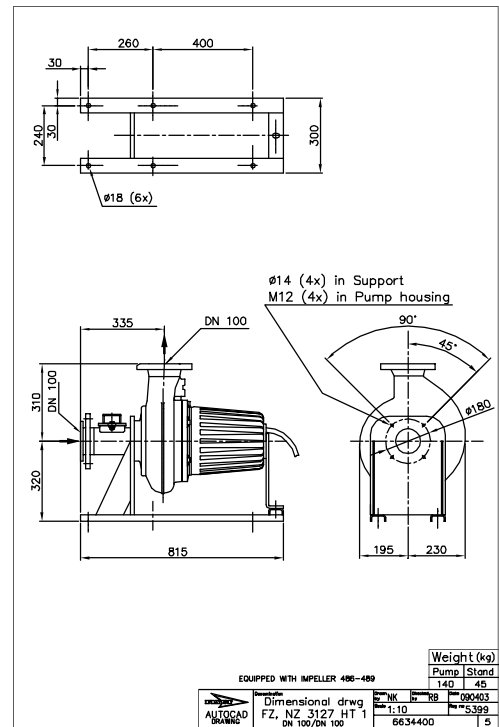


Figure 76: HT, Z-installation

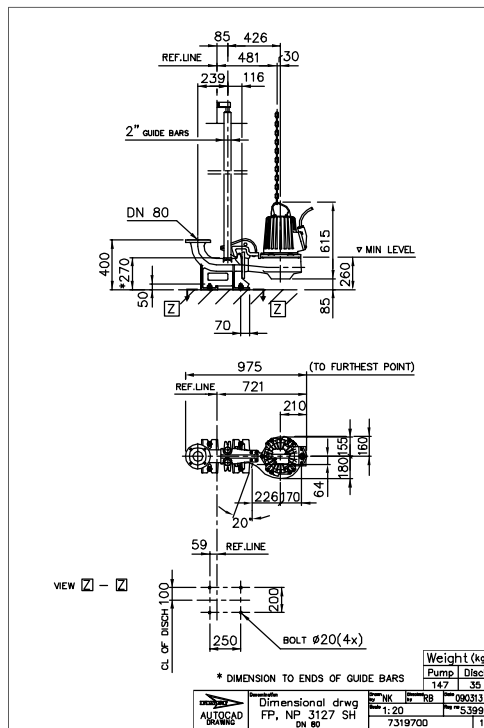


Figure 77: SH, P-installation

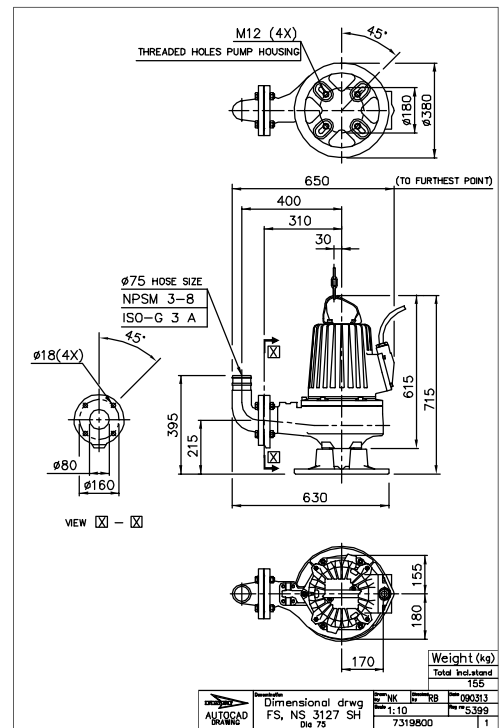


Figure 78: SH, S-installation

Drawings, P-pump

All drawings are available as Acrobat documents (.pdf) and AutoCad drawings (.dwg). Contact your sales representative for more information.

All dimensions are in mm.

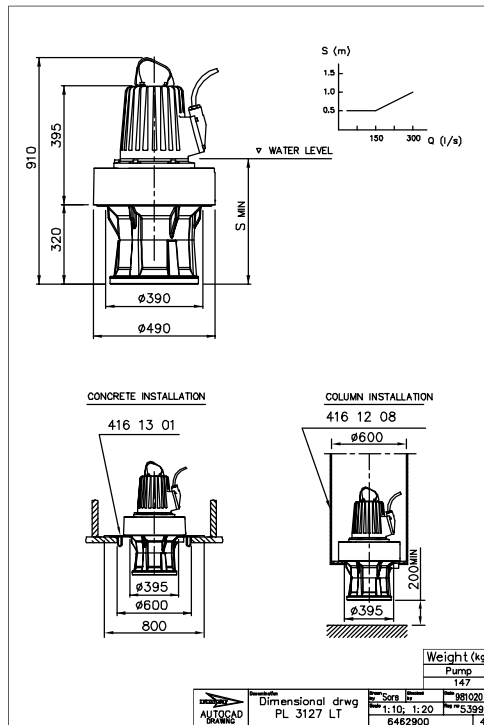


Figure 79: LT, L-installation

Xylem |'zīləm|

- 1) The tissue in plants that brings water upward from the roots
- 2) A leading global water technology company

We're 12,500 people unified in a common purpose: creating innovative solutions to meet our world's water needs. Developing new technologies that will improve the way water is used, conserved, and re-used in the future is central to our work. We move, treat, analyze, and return water to the environment, and we help people use water efficiently, in their homes, buildings, factories and farms. In more than 150 countries, we have strong, long-standing relationships with customers who know us for our powerful combination of leading product brands and applications expertise, backed by a legacy of innovation.

For more information on how Xylem can help you, go to xylem.com



Xylem Water Solutions AB
Gesällvägen 33
174 87 Sundbyberg
Sweden
Tel. +46-8-475 60 00
Fax +46-8-475 69 00
<http://tpi.xylem.com>

Visit our Web site for the latest version of this document and more information

The original instruction is in English. All non-English instructions are translations of the original instruction.

© 2012 Xylem Inc.