

1/2/3 NKV

SETS WITH VERTICAL AXIS MULTISTAGE CENTRIFUGAL PUMPS



Construction features

- Sets composed of N. 1-2-3 main vertical axis multistage centrifugal pumps type NKV
- AISI 304 stainless steel impellers, all parts in contact with the liquid are stainless
- Asynchronous three-phase motor, motor-pump connection with rigid coupling.
- Pump body in cast iron, impeller in technopolymer, pump shaft in stainless steel, carbon/ ceramic mechanical seal. Three-phase asynchronous motor.
- Pumps mounted to a single skid in galvanized steel.
- Available also with KV 3 jockey pump.

HYDRAULIC SECTION OF PUMP SET

Suction manifold Inox, discharge manifold, pressure transducer, electrical control panel, n. 1-2-3 expansion vessels each of 20 litre capacity.

Suction port of each pump equipped with isolator valve; Discharge port of each pump equipped with isolator and check valve.

ELECTRICAL CONTROL PANEL

- Control panel in metal IP 54 enclosure, mounted to the electric pumps skid.

Direct starting up to 7.5 kW inclusive, start delta starting above this value.

Front of control panel features AUT-0- MAN mode selectors and run indicator lights.

For information, please contact our sales network.

TECHNICAL DATA 1 NKV

MODEL	CODE	ELECTRICAL DATA			MAX PRESSURE OBTAINABLE BAR	STANDARD PRESSURE BAR	
		VOLTAGE 50 Hz	P2 NOMINAL				In A
			kW	HP			
1NKV 10/5 T	60140700	3 X 400 V ~	2,2	3	4,7	5	4,0
1NKV 10/6 T	60140701	3 X 400 V ~	2,2	3	4,7	6	5,0
1NKV 10/7 T	60140702	3 X 400 V ~	3	4	5,8	7	6,0
1NKV 10/8 T	60140703	3 X 400 V ~	3	4	5,8	8	7,0
1NKV 10/9 T	60140704	3 X 400 V ~	3	4	5,8	9	8,0
1NKV 10/10 T	60140705	3 X 400 V ~	4	5,5	7,6	10	8,5
1NKV 10/12 T	60140706	3 X 400 V ~	4	5,5	7,6	12	10
1NKV 10/14 T	60140707	3 X 400 V ~	5,5	7,5	11	14	12
1NKV 15/3 T	60140708	3 X 400 V ~	3	4	5,8	4	3,5
1NKV 15/4 T	60140709	3 X 400 V ~	4	5,5	7,6	5	4
1NKV 15/5 T	60140710	3 X 400 V ~	4	5,5	7,6	6,5	5
1NKV 15/6 T	60140711	3 X 400 V ~	5,5	7,5	11	7,7	6,5
1NKV 15/7 T	60140712	3 X 400 V ~	5,5	7,5	11	9	8
1NKV 15/8 T	60140713	3 X 400 V ~	7,5	10	14,8	10	9
1NKV 15/9 T	60140714	3 X 400 V ~	7,5	10	14,8	12	10
1NKV 15/10 T	60140715	3 X 400 V ~	11	15	22,4	13	11
1NKV 20/3 T	60140716	3 X 400 V ~	4	5,5	7,6	4	3
1NKV 20/4 T	60140717	3 X 400 V ~	5,5	7,5	11	5,5	4,5
1NKV 20/5 T	60140718	3 X 400 V ~	5,5	7,5	11	7	6
1NKV 20/6 T	60140719	3 X 400 V ~	7,5	10	14,8	8,5	7
1NKV 20/7 T	60140720	3 X 400 V ~	7,5	10	14,8	10	8,5
1NKV 20/8 T	60140721	3 X 400 V ~	11	15	22,4	11	9,5
1NKV 20/9 T	60140722	3 X 400 V ~	11	15	22,4	12,5	10
1NKV 20/10 T	60140723	3 X 400 V ~	11	15	22,4	14	12

1/2/3 NKV

SETS WITH VERTICAL AXIS MULTISTAGE CENTRIFUGAL PUMPS

TECHNICAL DATA 2 NKV

MODEL	CODE	ELECTRICAL DATA				MAX PRESSURE OBTAINABLE BAR	STANDARD PRESSURE BAR
		VOLTAGE 50 Hz	P2 NOMINAL		In A		
			kW	HP			
2NKV 10/5 T	60140778	3 X 400 V ~	2x 2,2	2x 3	2x 4,7	5	4,0
2NKV 10/6 T	60140779	3 X 400 V ~	2x 2,2	2x 3	2x 4,7	6	5,0
2NKV 10/7 T	60140780	3 X 400 V ~	2x 3	2x 4	2x 5,8	7	6,0
2NKV 10/8 T	60140781	3 X 400 V ~	2x 3	2x 4	2x 5,8	8	7,0
2NKV 10/9 T	60140782	3 X 400 V ~	2x 3	2x 4	2x 5,8	9	8,0
2NKV 10/10 T	60140783	3 X 400 V ~	2x 4	2x 5,5	2x 7,6	10	8,5
2NKV 10/12 T	60140784	3 X 400 V ~	2x 4	2x 5,5	2x 7,6	12	10
2NKV 10/14 T	60140785	3 X 400 V ~	2x 5,5	2x 7,5	2x 11	14	12
2NKV 15/3 T	60140786	3 X 400 V ~	2x 3	2x 4	2x 5,8	4	3,5
2NKV 15/4 T	60140787	3 X 400 V ~	2x 4	2x 5,5	2x 7,6	5	4
2NKV 15/5 T	60140788	3 X 400 V ~	2x 4	2x 5,5	2x 7,6	6,5	5
2NKV 15/6 T	60140789	3 X 400 V ~	2x 5,5	2x 7,5	2x 11	7,7	6,5
2NKV 15/7 T	60140790	3 X 400 V ~	2x 5,5	2x 7,5	2x 11	9	8
2NKV 15/8 T	60140791	3 X 400 V ~	2x 7,5	2x 10	2x 14,8	10	9
2NKV 15/9 T	60140792	3 X 400 V ~	2x 7,5	2x 10	2x 14,8	12	10
2NKV 15/10 T	60140793	3 X 400 V ~	2x 11	2x 15	2x 22,4	13	11
2NKV 20/3 T	60140794	3 X 400 V ~	2x 4	2x 5,5	2x 7,6	4	3
2NKV 20/4 T	60140795	3 X 400 V ~	2x 5,5	2x 7,5	2x 11	5,5	4,5
2NKV 20/5 T	60140796	3 X 400 V ~	2x 5,5	2x 7,5	2x 11	7	6
2NKV 20/6 T	60140797	3 X 400 V ~	2x 7,5	2x 10	2x 14,8	8,5	7
2NKV 20/7 T	60140798	3 X 400 V ~	2x 7,5	2x 10	2x 14,8	10	8,5
2NKV 20/8 T	60140799	3 X 400 V ~	2x 11	2x 15	2x 22,4	11	9,5
2NKV 20/9 T	60140800	3 X 400 V ~	2x 11	2x 15	2x 22,4	12,5	10
2NKV 20/10 T	60140801	3 X 400 V ~	2x 11	2x 15	2x 22,4	14	12

1/2/3 NKV

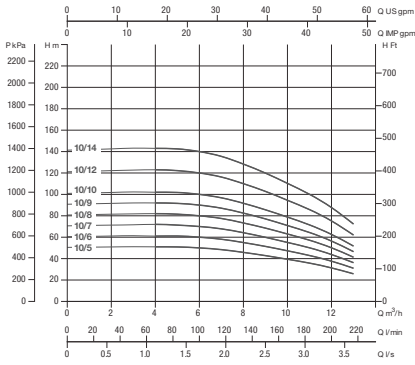
SETS WITH VERTICAL AXIS MULTISTAGE CENTRIFUGAL PUMPS

TECHNICAL DATA 3 NKV

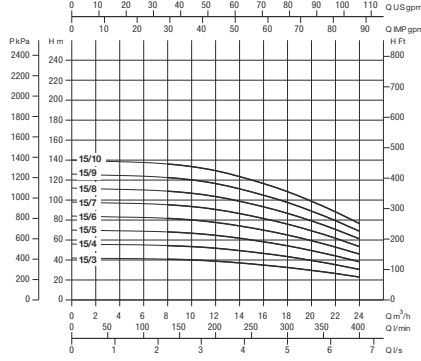
MODEL	CODE	ELECTRICAL DATA				MAX PRESSURE OBTAINABLE BAR	STANDARD PRESSURE BAR
		VOLTAGE 50 Hz	P2 NOMINAL		In A		
			kW	HP			
3NKV 10/5 T	60140856	3 X 400V ~	3x 2,2	3x 3	3x 4,7	5	4,0
3NKV 10/6 T	60140857	3 X 400V ~	2x 2,2	3x 3	3x 4,7	6	5,0
3NKV 10/7 T	60140858	3 X 400V ~	3x 3	3x 4	3x 5,8	7	6,0
3NKV 10/8 T	60140859	3 X 400V ~	3x 3	3x 4	3x 5,8	8	7,0
3NKV 10/9 T	60140860	3 X 400V ~	3x 3	3x 4	3x 5,8	9	8,0
3NKV 10/10 T	60140861	3 X 400V ~	3x 4	3x 5,5	3x 7,6	10	8,5
3NKV 10/12 T	60140862	3 X 400V ~	3x 4	3x 5,5	3x 7,6	12	10
3NKV 10/14 T	60140863	3 X 400V ~	3x 5,5	3x 7,5	3x 11	14	12
3NKV 15/3 T	60140864	3 X 400V ~	3x 3	3x 4	3x 5,8	4	3,5
3NKV 15/4 T	60140865	3 X 400V ~	3x 4	3x 5,5	3x 7,6	5	4
3NKV 15/5 T	60140866	3 X 400V ~	3x 4	3x 5,5	3x 7,6	6,5	5
3NKV 15/6 T	60140867	3 X 400V ~	3x 5,5	3x 7,5	3x 11	7,7	6,5
3NKV 15/7 T	60140868	3 X 400V ~	3x 5,5	3x 7,5	3x 11	9	8
3NKV 15/8 T	60140869	3 X 400V ~	3x 7,5	3x 10	3x 14,8	10	9
3NKV 15/9 T	60140870	3 X 400V ~	3x 7,5	3x 10	3x 14,8	12	10
3NKV 15/10 T	60140871	3 X 400V ~	3x 11	3x 15	3x 22,4	13	11
3NKV 20/3 T	60140872	3 X 400V ~	3x 4	3x 5,5	3x 7,6	4	3
3NKV 20/4 T	60140873	3 X 400V ~	3x 5,5	3x 7,5	3x 11	5,5	4,5
3NKV 20/5 T	60140874	3 X 400V ~	3x 5,5	3x 7,5	3x 11	7	6
3NKV 20/6 T	60140875	3 X 400V ~	3x 7,5	3x 10	3x 14,8	8,5	7
3NKV 20/7 T	60140876	3 X 400V ~	3x 7,5	3x 10	3x 14,8	10	8,5
3NKV 20/8 T	60140877	3 X 400V ~	3x 11	3x 15	3x 22,4	11	9,5
3NKV 20/9 T	60140878	3 X 400V ~	3x 11	3x 15	3x 22,4	12,5	10
3NKV 20/10 T	60140879	3 X 400V ~	3x 11	3x 15	3x 22,4	14	12

1/2/3 NKV SETS WITH VERTICAL AXIS MULTISTAGE CENTRIFUGAL PUMPS

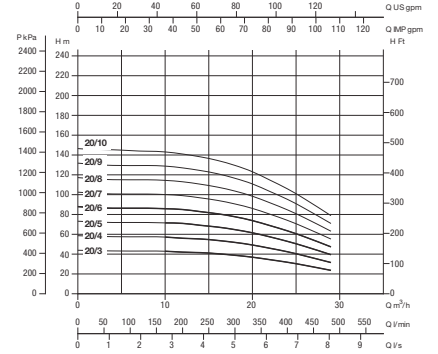
1 NKV 10



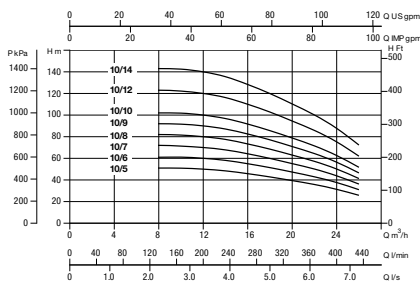
1 NKV 15



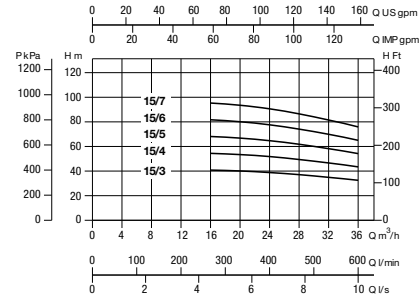
1 NKV 20



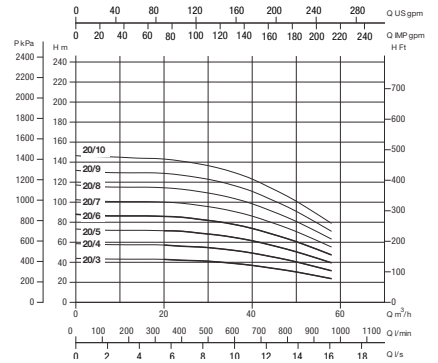
2 NKV 10



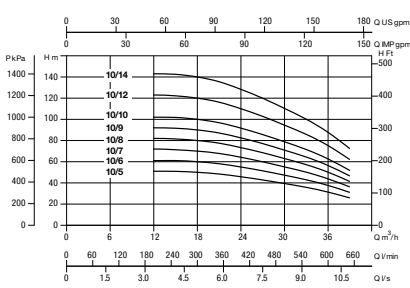
2 NKV 15



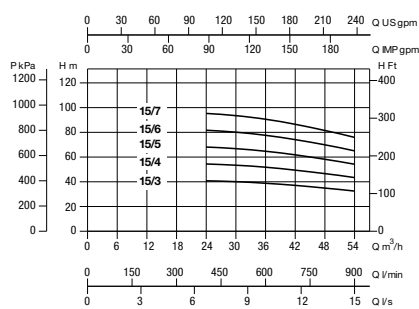
2 NKV 20



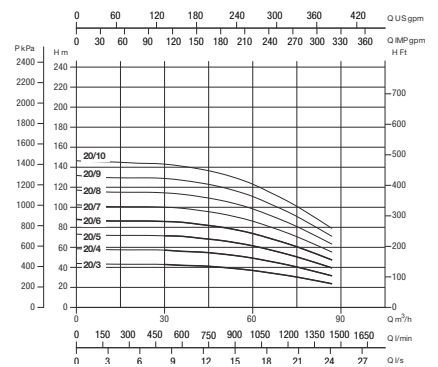
3 NKV 10



3 NKV 15



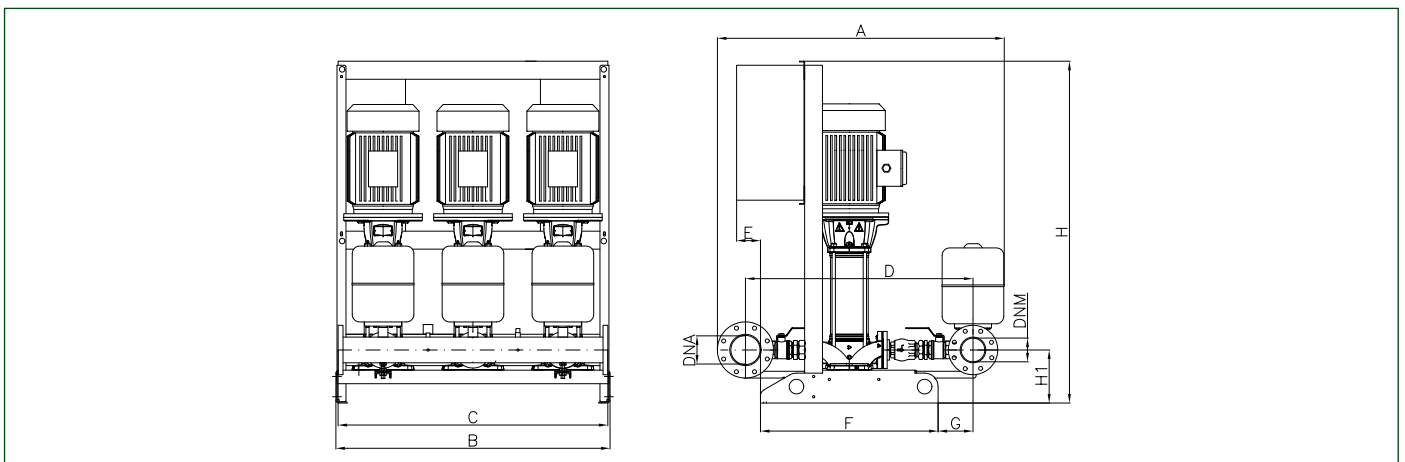
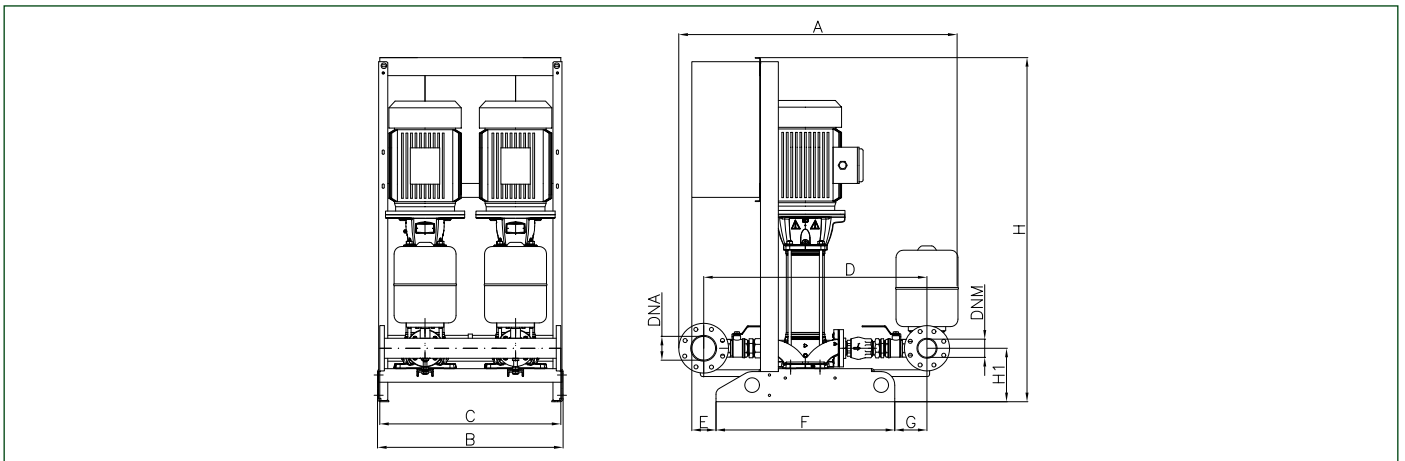
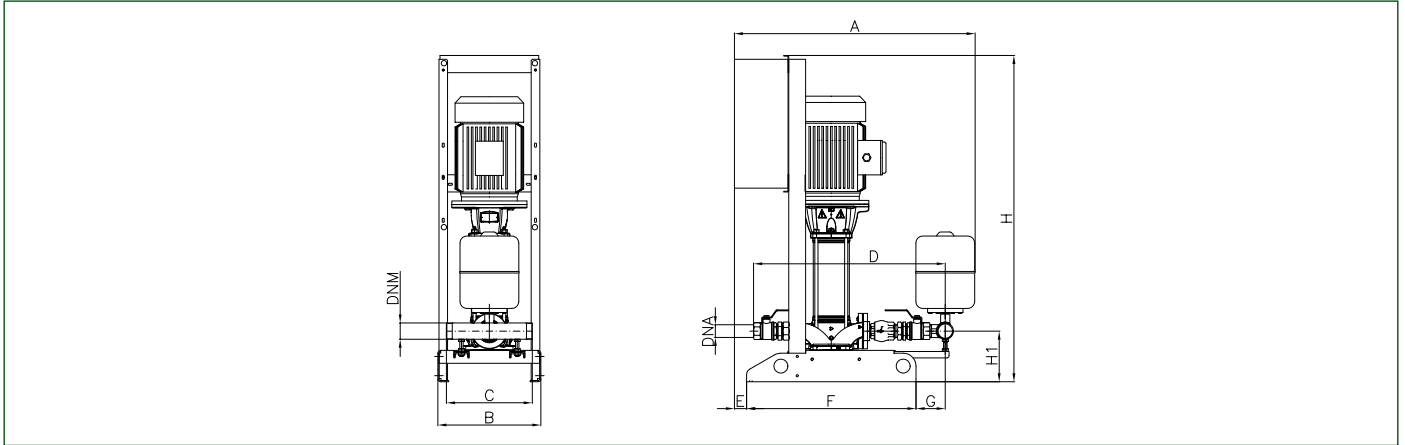
3 NKV 20



1/2/3 NKV

SETS WITH VERTICAL AXIS MULTISTAGE CENTRIFUGAL PUMPS

DIMENSIONS AND WEIGHTS



MODEL	A	B	C	D	E	F	G	H	H1	Ø		WEIGHT Kg.
										DNA	DNM	
1 NKV 10	1060	480	400	790	60	790	72	1525	226	1 1/2"	2"	118
1 NKV 15-20	1125	480	400	880	60	790	136	1525	236	2"	2 1/2"	124
2 NKV 10	1120	820	800	860	110	790	80	1525	226	2 1/2"	2 1/2"	123
2 NKV 15-20	1265	820	800	975	110	790	145	1525	236	DN 100	DN 80	129
3 NKV 10	1125	1220	1200	870	110	790	86	1525	226	DN 0	DN 80	134
3 NKV 15-20	1265	1220	1200	1000	110	790	155	1525	236	DN 125	DN 100	141