

ZUG OC - ZUG V

POMPES DE RELEVAGE
À ROUE MULTI-CANAUX OUVERTE OU ROUE VORTEX



ZUG OC - ZUG V



Pompes de relevage à roue multi-canaux ouverte ou roue vortex

Données techniques

Exécutions

Limites d'utilisation

Utilisations

Moteur

Construction

Exécutions spéciales sur demande

Composant	Matériaux



ZUG-OC



ZUG-V

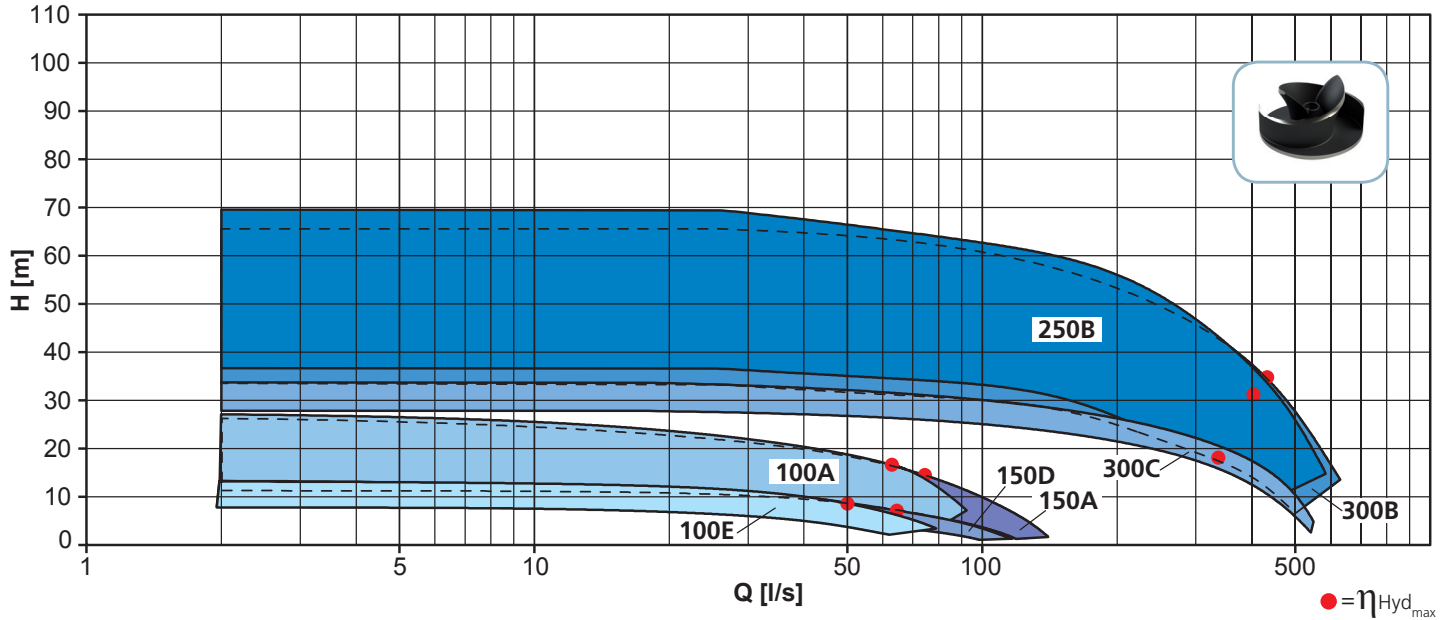
ZUG OC - ZUG V



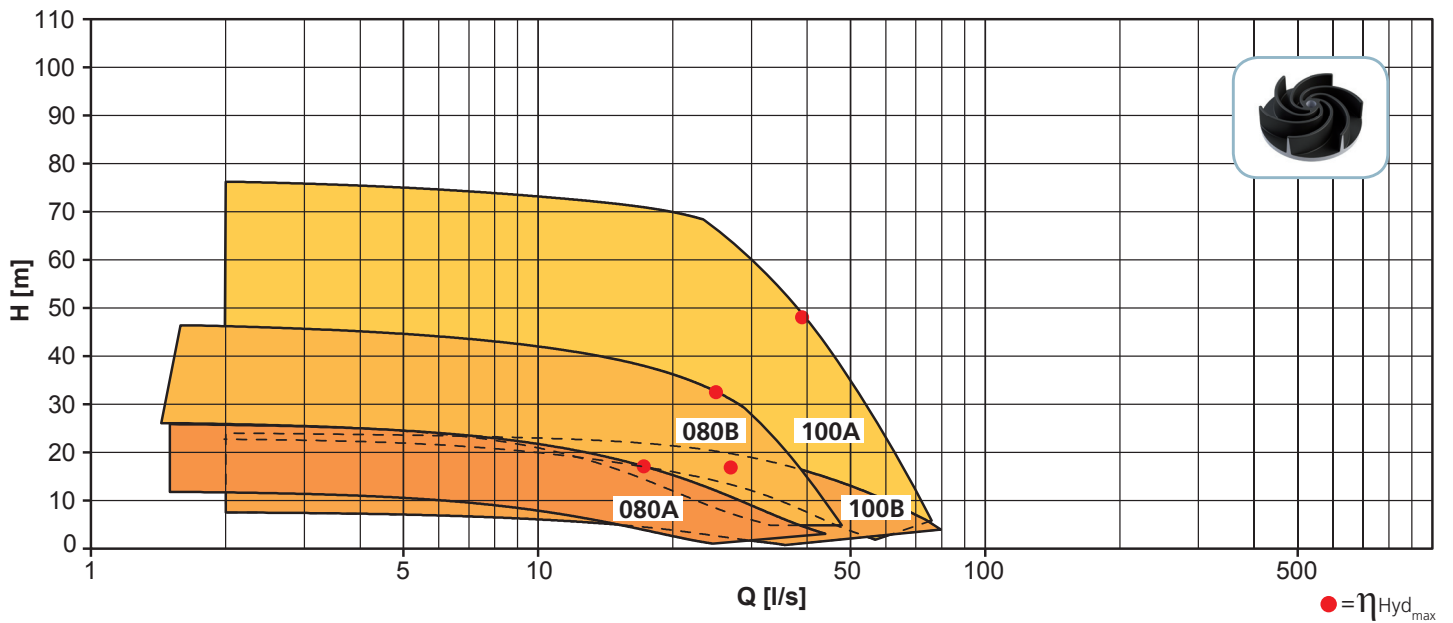
Pompes de relevage à roue multi-canaux ouverte ou roue vortex

Plages d'utilisation

ZUG OC : roue multi-canaux ouverte



ZUG V : roue vortex





Pompes de relevage à roue multi-canaux ouverte

Performances

Moteur 400 volts - 2900 tours/minute.

Refoulement horizontal DN 100 - Passage libre 45 mm.

Référence	MOTEUR		Kg	m³/h l/min	0	40	60	98	108	132	162	174	195	230	236	252	275	288	312	326	336	348	
	kW	A			0	667	1000	1633	1800	2200	2700	2900	3250	3833	3933	4200	4583	4800	5200	5433	5600	5800	
ZUG OC 100F 22-2-170	22.00	39.3	341.6	H m	41	40	38	34	33	31	29	28.5	27	24	23	-	-	-	-	-	-	-	
ZUG OC 100F 30-2-170	30.00	59	351.8		41	40	38	34	33	31	29	28.5	27	24	23	22	19	17	12.5	-	-	-	-
ZUG OC 100F 22-2-180	22.00	39.3	341.6		47	46	44	39.5	38.5	36.5	34.5	-	-	-	-	-	-	-	-	-	-	-	-
ZUG OC 100F 30-2-180	30.00	59	351.8		47	46	44	39.5	38.5	36.5	34.5	33	32	29	28	26.5	24	22	17.5	14.5	-	-	-
ZUG OC 100F 22-2-190	22.00	39.3	341.6		54	52	50	46	45	-	-	-	-	-	-	-	-	-	-	-	-	-	-
ZUG OC 100F 30-2-190	30.00	59	351.8		54	52	50	46	45	42	40	39	37.5	34.5	34	32	-	-	-	-	-	-	-
ZUG OC 100F 37-2-190	37.00	67	462		54	52	50	46	45	42	40	39	37.5	34.5	34	32	30	28.5	25.5	22.5	20	-	-
ZUG OC 100F 30-2-200	30.00	59	351.8		60.5	59	57	52.5	51.5	49	46	44.5	42.5	-	-	-	-	-	-	-	-	-	-
ZUG OC 100F 37-2-200	37.00	67	462		60.5	59	57	52.5	51.5	49	46	44.5	42.5	39.5	39	38	36	35	-	-	-	-	-
ZUG OC 100F 45-2-200	45.00	79	483		60.5	59	57	52.5	51.5	49	46	44.5	42.5	39.5	39	38	36	35	32	29	26.5	23	-
ZUG OC 100F 30-2-210	30.00	59	351.8		68	65.5	63.5	59.5	58	55	-	-	-	-	-	-	-	-	-	-	-	-	-
ZUG OC 100F 37-2-210	37.00	67	462		68	65.5	63.5	59.5	58	55	52	50	48	45	-	-	-	-	-	-	-	-	-
ZUG OC 100F 45-2-210	45.00	79	483		68	65.5	63.5	59.5	58	55	52	50	48	45	44.5	43	41	40	37	35	-	-	-
ZUG OC 100F 30-2-220	30.00	59	351.8		76	73	71	66	-	-	-	-	-	-	-	-	-	-	-	-	-	-	-
ZUG OC 100F 37-2-220	37.00	67	462		76	73	71	66	65	62	58	57	-	-	-	-	-	-	-	-	-	-	-
ZUG OC 100F 45-2-220	45.00	79	483		76	73	71	66	65	62	58	57	54	51	50	48.5	46	-	-	-	-	-	-
Référence	MOTEUR		Kg		m³/h l/min	0	40	60	74	78	90	112	124	152	180	214							
	kW	A				0	667	1000	1233	1300	1500	1867	2067	2533	3000	3567							
ZUG OC 100F 30-2-230	30.00	59	351.8	H m	82	79	77	76	-	-	-	-	-	-	-								
ZUG OC 100F 37-2-230	37.00	67	462		82	79	77	76	75	-	-	-	-	-	-	-							
ZUG OC 100F 45-2-230	45.00	79	483		82	79	77	76	75	74	71	69	65.5	62	58.5								
ZUG OC 100F 37-2-240	37.00	67	462		88.5	86	84	82.5	82	80.5	-	-	-	-	-	-							
ZUG OC 100F 45-2-240	45.00	79	483		88.5	86	84	82.5	82	80.5	78	77	73	-	-	-							
ZUG OC 100F 45-2-250	45.00	79	483		94.5	92.5	91	89	88.5	87	85	-	-	-	-	-							
ZUG OC 100F 45-2-260	45.00	79	483		104	101	99	97.5	-	-	-	-	-	-	-	-							

Moteur 400 volts - 2900 tours/minute.

Refoulement horizontal DN 100 - Passage libre 65 mm.

Référence	MOTEUR		Kg	m³/h l/min	0	43	72	101	137	149	157	169	203	225	229	239	274	299	313	328	335	340	
	kW	A			0	717	1200	1683	2283	2483	2617	2817	3383	3750	3817	3933	4567	4983	5217	5467	5583	5667	
ZUG OC 100J 15-2-175	15.00	26.8	257	H m	32.5	30	27	25	23.5	-	-	-	-	-	-	-	-	-	-	-	-	-	
ZUG OC 100J 18.5-2-175	18.50	33.1	266.5		32.5	30	27	25	23.5	23	22.5	22	18.5	16.5	-	-	-	-	-	-	-	-	-
ZUG OC 100J 22-2-175	22.00	39.3	323.6		32.5	30	27	25	23.5	23	22.5	22	18.5	16.5	16	15	11.5	7.5	-	-	-	-	-
ZUG OC 100J 18.5-2-185	18.50	33.1	266.5		38	36.5	33.5	31.5	30	29.5	-	-	-	-	-	-	-	-	-	-	-	-	-
ZUG OC 100J 22-2-185	22.00	39.1	323.6		38	36.5	33.5	31.5	30	29.5	29	28.5	26	-	-	-	-	-	-	-	-	-	-
ZUG OC 100J 30-2-185	30.00	53	333.8		38	36.5	33.5	31.5	30	29.5	29	28.5	26	24	23.5	22.5	18.5	15	11.5	-	-	-	-
ZUG OC 100J 22-2-195	22.00	39.1	323.6		45	42	39.5	37.5	35	34.5	34	-	-	-	-	-	-	-	-	-	-	-	-
ZUG OC 100J 30-2-195	30.00	53	333.8		45	42	39.5	37.5	35	34.5	34	33	30.5	29	28.5	28	25	22	20.5	18	-	-	-
ZUG OC 100J 30-2-198	30.00	53	333.8		51.5	49	46	43	40	39	38.5	38	35	33.5	33	-	-	-	-	-	-	-	-
ZUG OC 100J 37-2-198	37.00	67	444		51.5	49	46	43	40	39	38.5	38	35	33.5	33	32.5	30.5	28	26	23	22	-	-
ZUG OC 100J 30-2-210	30.00	53	333.8		65.5	58.5	54.5	51	47	46.5	46	45	-	-	-	-	-	-	-	-	-	-	-
ZUG OC 100J 37-2-210	37.00	67	444		65.5	58.5	54.5	51	47	46.5	46	45	42	40.5	40	39.5	-	-	-	-	-	-	-
ZUG OC 100J 45-2-210	45.00	79	465		65.5	58.5	54.5	51	47	46.5	46	45	42	40.5	40	39.5	36.5	34	32	30	28	27	-



Pompes de relevage à roue multi-canaux ouverte

Performances

Moteur 400 volts - 1450 tours/minute.

Refoulement horizontal DN 100 - Passage libre 80 mm.

Référence	MOTEUR		Kg	m³/h l/min	0	36	90	126	180	234	270	275	295	313	328	337									
	kW	A			0	600	1500	2100	3000	3900	4500	4583	4917	5217	5467	5617									
ZUG OC 100A 7.5-4-230	7.50	14.5	240	H m	11.2	10.9	10.2	9.7	7.9	5.5	3.4	3.2	-	-	-	-									
ZUG OC 100A 7.5-4-235	7.50	14.5	240		13.5	13.1	12.3	11.6	-	-	-	-	-	-	-	-	-								
ZUG OC 100A 9-4-235	9.00	18.3	240		13.5	13.1	12.3	11.6	9.8	7.5	5.4	5	3.8	-	-	-	-								
ZUG OC 100A 11-4-245	11.00	21.2	312.2		17.5	16.8	16	15	12.8	10.3	8.3	8	6.5	4.8	-	-	-								
ZUG OC 100A 15-4-260	15.00	28.5	325.9		24.7	22.5	20.5	19.4	16.9	14	12	11.6	10.3	8.9	7	-	-								
ZUG OC 100A 15-4-270	15.00	28.5	325.9		26.5	25.4	22.6	21	18.8	16	13.9	-	-	-	-	-	-								
ZUG OC 100A 18.5-4-270	18.50	35.2	410.5		26.5	25.4	22.6	21	18.8	16	13.9	13.5	12.2	11	9.6	8.8	-								
Référence	MOTEUR		Kg	m³/h l/min	0	60	120	175	205	225	240	250	275	280	295	335	398	415	435	455	490	520	530	550	
	kW	A			0	1000	2000	2917	3467	3750	4000	4167	4583	4667	4917	5583	6633	6917	7250	7583	8167	8667	8833	9167	
ZUG OC 100C 22-4-290	22.00	40.6	537	H m	28	26.5	25	22.5	21	20	19	17.5	18	-	-	-	-	-	-	-	-	-	-	-	
ZUG OC 100C 30-4-290	30.00	55.7	575		28	26.5	25	22.5	21	20	19	17.5	18	17.5	16.5	14.5	9.5	-	-	-	-	-	-	-	-
ZUG OC 100C 30-4-310	30.00	55.7	575		36	33	29.5	27.5	26	25	24.5	24	22.5	22	21	19	15	13	-	-	-	-	-	-	-
ZUG OC 100C 30-4-330	30.00	55.7	575		44.5	39.5	35.5	33.5	32	31	-	-	-	-	-	-	-	-	-	-	-	-	-	-	-
ZUG OC 100C 37-4-330	37.00	68.5	652		44.5	39.5	35.5	33.5	32	31	30.5	30	28.5	28	27.5	25.5	22	20.5	18	-	-	-	-	-	-
ZUG OC 100C 37-4-350	37.00	68.5	652		49.5	45.5	41.5	39	38	37	36.5	36	-	-	-	-	-	-	-	-	-	-	-	-	-
ZUG OC 100C 45-4-350	45.00	80	679		49.5	45.5	41.5	39	38	37	36.5	36	34.5	34	33.5	31.5	27.5	26.5	25	23	-	-	-	-	-
ZUG OC 100C 37-4-370	37.00	68.5	652		56	52	48	45.5	-	-	-	-	-	-	-	-	-	-	-	-	-	-	-	-	-
ZUG OC 100C 45-4-370	45.00	80	679		56	52	48	45.5	44.5	43.5	42.5	42	40.5	40	39.5	-	-	-	-	-	-	-	-	-	-
ZUG OC 100C 55-4-370	55.00	101.7	971		56	52	48	45.5	44.5	43.5	42.5	42	40.5	40	39.5	37	33.5	32.5	31.5	30	27	-	-	-	-
ZUG OC 100C 45-4-390	45.00	80	679		63	59	54.5	52	51	-	-	-	-	-	-	-	-	-	-	-	-	-	-	-	-
ZUG OC 100C 55-4-390	55.00	101.7	971		63	59	54.5	52	51	50	49.5	49	47.5	47	46.5	44	-	-	-	-	-	-	-	-	-
ZUG OC 100C 75-4-390	75.00	137.3	1045		63	59	54.5	52	51	50	49.5	49	47.5	47	46.5	44	40	39	38	36.5	34	31	-	-	-
ZUG OC 100C 55-4-400	55.00	101.7	971		67.5	62.5	58.5	56	55	54	53.5	53	52	51.5	-	-	-	-	-	-	-	-	-	-	-
ZUG OC 100C 75-4-400	75.00	137.3	1045		67.5	62.5	58.5	56	55	54	53.5	53	52	51.5	51	48	44	43	42	41	38.5	36	35	-	-
ZUG OC 100C 55-4-412	55.00	101.7	971		71	67	63	60.5	59.5	59	58.5	-	-	-	-	-	-	-	-	-	-	-	-	-	-
ZUG OC 100C 75-4-412	75.00	137.3	1045		71	67	63	60.5	59.5	59	58.5	58	57	56.5	55.5	53	48.5	47.5	46.5	45	43.5	41	40	37	37

Moteur 400 volts - 1450 tours/minute.

Refoulement horizontal DN 100 - Passage libre 45 mm.

Référence	MOTEUR		Kg	m³/h l/min	0	43	68	79	88	101	115	124	137	155	187	202	205	214	227	234	237	243	256	261	265	270	
	kW	A			0	717	1133	1317	1467	1577	1688	2067	2283	2583	3167	3367	3417	3567	3783	3900	3950	4050	4267	4310	4487	4500	
ZUG OC 100F 3-4-170	3.00		191	H m	10	8.5	7.6	7.1	6.9	6.4	5.7	5.1	4.5	3.5	1.8	-	-	-	-	-	-	-	-	-	-	-	
ZUG OC 100F 3-4-180	3.00		191		11.6	10.1	9	8.5	8.2	7.7	7	-	-	-	-	-	-	-	-	-	-	-	-	-	-	-	-
ZUG OC 100F 4-4-180	4.00		209		11.6	10.1	9	8.5	8.2	7.7	7	6.5	5.7	4.7	2.8	1.9	-	-	-	-	-	-	-	-	-	-	-
ZUG OC 100F 3-4-190	3.00		191		13.2	11.7	10.3	9.8	-	-	-	-	-	-	-	-	-	-	-	-	-	-	-	-	-	-	-
ZUG OC 100F 4-4-190	4.00		209		13.2	11.7	10.3	9.8	9.5	8.9	8.3	7.9	7.3	5.2	4	3	2.7	2	-	-	-	-	-	-	-	-	-
ZUG OC 100F 4-4-200	4.00		209		14.9	13.2	11.9	11.3	10.9	10.3	9.8	9.3	-	-	-	-	-	-	-	-	-	-	-	-	-	-	-
ZUG OC 100F 5.5-4-200	5.50		212		14.9	13.2	11.9	11.3	10.9	10.3	9.8	9.3	8.8	7.5	5.2	4.2	3.9	3.2	2.5	-	-	-	-	-	-	-	-
ZUG OC 100F 4-4-210	4.00		209		16.5	14.8	13.4	12.7	12.2	-	-	-	-	-	-	-	-	-	-	-	-	-	-	-	-	-	-
ZUG OC 100F 5.5-4-210	5.50		212		16.5	14.8	13.4	12.7	12.2	11.6	10.8	10.4	9.8	8.9	6.5	5.2	5	4.2	3	2.5	-	-	-	-	-	-	-
ZUG OC 100F 4-4-220	4.00		209		18	16.3	14.9	-	-	-	-	-	-	-	-	-	-	-	-	-	-	-	-	-	-	-	-
ZUG OC 100F 5.5-4-220	5.50		212		18	16.3	14.9	14.1	13.7	13	12.2	11.7	11	9.9	7.7	6.7	-	-	-	-	-	-	-	-	-	-	-
ZUG OC 100F 7.5-4-220	7.50		261.3		18	16.3	14.9	14.1	13.7	13	12.2	11.7	11	9.9	7.7	6.7	6.3	5.6	4.5	3.6	3.5	2.9	-	-	-	-	-
ZUG OC 100F 5.5-4-230	5.50		212		20	18.3	16.8	16.1	15.6	14.9	14	-	-	-	-	-	-	-	-	-	-	-	-	-	-	-	-
ZUG OC 100F 7.5-4-230	7.50		261.3		20	18.3	16.8	16.1	15.6	14.9	14	13.5	12.9	11.6	9.6	8.5	8.2	7.5	6.5	5.6	5.5	4.5	3	-	-	-	-
ZUG OC 100F 5.5-4-240	5.50		212		22	20.1	18.5	17.8	17.3	-	-	-	-	-	-	-	-	-	-	-	-	-	-	-	-	-	-
ZUG OC 100F 7.5-4-240	7.50		261.3		22	20.1	18.5	17.8	17.3	16.5	15.6	15	14.2	13.2	11.1	10.1	9.8	-	-	-	-	-	-	-	-	-	-
ZUG OC 100F 9-4-240	9.00		282.3		22	20.1	18.5	17.8	17.3	16.5	15.6	15	14.2	13.2	11.1	10.1	9.8	9.1	8.1	7.5	7.4	6.5	4.9	4.4	-	-	-
ZUG OC 100F 7.5-4-250	7.50		261.3		24	22.1	20.6	19.9	19.4	18.7	17.8	17.2	16.5	-	-	-	-	-	-	-	-	-	-	-	-	-	-
ZUG OC 100F 9-4-250	9.00		282.3		24	22.1	20.6	19.9	19.4	18.7	17.8	17.2	16.5	15.2	13	11.9	11.5	11	10.1	9.4	9.3	-	-	-	-	-	-
ZUG OC 100F 11-4-250	11.00		333.5		24	22.1	20.6	19.9	19.4	18.7	17.8	17.2	16.5	15.2	13	11.9	11.5	11	10.1	9.4	9.3	8.7	7.4	7	6.1	-	-
ZUG OC 100F 7.5-4-260	7.50		261.3		25.8	23.9	22.5	21.8	21.2	20.5	-	-	-	-	-	-	-	-	-	-	-	-	-	-	-	-	-
ZUG OC 100F 9-4-260	9.00		282.3		25.8	23.9	22.5	21.8	21.2	20.5	19.6	19	18.2	17	-	-	-	-	-	-	-	-	-	-	-	-	-
ZUG OC 100F 11-4-260	11.00		333.5		25.8	23.9	22.5	21.8	21.2	20.5	19.6	19	18.2	17	14.7	13.5	13.1	12.7	11.8	11.1	11	10.3	9.4	9.1	8.2	7.5	7.5

⚠ Pied d'assise (prix sur demande).



Pompes de relevage à roue multi-canaux ouverte

Performances

Moteur 400 volts - 1450 tours/minute.

Refoulement horizontal DN 100 - Passage libre 65 mm.

Référence	MOTEUR		Kg	m³/h l/min	0	29	58	92	115	144	171	184	200	209	216	223	
	kW	A			0	483	967	1533	1917	2100	2850	3067	3333	3483	3600	3717	
ZUG OC 100J 3-4-175	3.00	6.6	173	H m	7.8	6.8	5.7	4.9	4	2.7	1.7	-	-	-	-	-	
ZUG OC 100J 3-4-185	3.00	6.6	173		9.2	8.2	7	6.2	5.2	3.7	2.4	1.8	-	-	-	-	-
ZUG OC 100J 3-4-195	3.00	6.6	173		10.9	9.7	8.6	7.6	6.7	5.2	3.7	3	1.9	-	-	-	-
ZUG OC 100J 3-4-198	3.00	6.6	173		12.8	11.3	9.7	8.5	-	-	-	-	-	-	-	-	-
ZUG OC 100J 4-4-198	4.00	8.5	191		12.8	11.3	9.7	8.5	7.5	6.1	4.4	3.6	2.5	2	-	-	-
ZUG OC 100J 4-4-205	4.00	8.5	191		14.8	12.5	10.9	9.6	8.6	7.2	5.6	4.8	3.6	2.9	2.3	-	-
ZUG OC 100J 4-4-210	4.00	8.5	191		16.1	13.3	11.8	10.4	9.4	-	-	-	-	-	-	-	-
ZUG OC 100J 5.5-4-210	5.50	11.7	194		16.1	13.3	11.8	10.4	9.4	8	6.5	5.7	4.4	3.6	3	2.3	-
Référence	MOTEUR		Kg	m³/h l/min	0	36	72	144	216	288	360	414	436	464	482	497	
	kW	A			0	600	1200	2400	3600	4800	6000	6900	7267	7733	8033	8283	
ZUG OC 150A 7.5-4-230	7.50	14.5	252.1	H m	10.9	10.6	10.2	8.9	7.1	5.2	3	1.3	-	-	-	-	
ZUG OC 150A 9-4-235	9.00	18.3	273.1		13.1	12.6	12.1	10.9	8.6	6.5	4	2	1	-	-	-	-
ZUG OC 150A 11-4-245	11.00	21.2	324.3		17.1	14.2	15.6	14	11.5	8.7	6	3.8	2.9	1.5	-	-	-
ZUG OC 150A 15-4-260	15.00	28.5	338		24.1	21.9	20.4	15.8	14.8	11.7	8.2	5.6	4.5	2.8	1.8	-	-
ZUG OC 150A 15-4-270	15.00	28.5	338		26.1	23.8	22.3	19.5	16.3	13	9.5	6.7	5.5	3.8	2.9	1.8	-

Moteur 400 volts - 1450 tours/minute.

Refoulement horizontal DN 150 - Passage libre 80 mm.

Référence	MOTEUR		Kg	m³/h l/min	0	36	108	180	252	306	333	351	387	396	414	
	kW	A			0	600	1800	3000	4200	5100	5550	5850	6450	6600	6900	
ZUG OC 150D 3-4-190	3.00	6.6	177.4	H m	5.6	5.2	3.9	2.7	1.7	0.6	-	-	-	-	-	
ZUG OC 150D 4-4-200	4.00	8.5	211.4		6.6	6.1	4.8	3.4	2.3	1.3	0.7	-	-	-	-	-
ZUG OC 150D 4-4-210	4.00	8.5	211.4		7.9	7.6	6.1	4.4	3.2	2.1	1.5	1	-	-	-	-
ZUG OC 150D 5.5-4-220	5.50	11.7	215.4		10.2	9.6	8.1	6.2	4.5	3.2	2.5	2.1	1.2	-	-	-
ZUG OC 150D 7.5-4-221	7.50	14.5	247.7		11.7	11.1	9.6	7.5	5.4	4	3.3	2.6	1.5	1.3	-	-
ZUG OC 150D 7.5-4-222	7.50	14.5	247.7		13.4	12.9	10.8	8.6	6.4	4.9	4.2	3.5	2.3	1.9	1.3	-

Moteur 400 volts - 1450 tours/minute.

Refoulement horizontal DN 200 - Passage libre 80 mm.

Référence	MOTEUR		Kg	m³/h l/min	0	72	144	216	288	360	432	504	580	621	713	724	745	770	817	
	kW	A			0	1200	2400	3400	4800	6000	7200	8400	9667	10350	11883	12067	12417	12833	13617	
ZUG OC 200B 11-4-240	11.00	21.2	352	H m	12.4	11.6	10.3	8.8	7.6	6.5	5.3	3.9	2	-	-	-	-	-	-	
ZUG OC 200B 11-4-255	11.00	21.2	352		14.8	13.7	12.1	10.7	9.5	8	6.6	5	3.2	2	-	-	-	-	-	-
ZUG OC 200B 15-4-269	15.00	28.5	365		19	16.7	16	14.2	12.8	11	9.2	7.2	5.1	3.8	2	-	-	-	-	-
ZUG OC 200B 18.5-4-275	18.50	35.2	451		26.7	23.2	20.7	18.8	16.6	14.4	12	9.6	7	5.2	3.1	2.1	-	-	-	-
ZUG OC 200B 22-4-290	22.00	40.6	468		30.5	27	24.1	21.8	19.7	17.5	14.9	12.1	9.2	7.5	5.3	4.1	2	-	-	-
ZUG OC 200B 30-4-305	30.00	55.7	506		33.5	30	27.2	24.9	22.3	20	17.2	14.2	11.5	9.7	7	6	3.8	2.1	-	-
ZUG OC 200B 30-4-315	30.00	55.7	506		36.1	32.5	29.8	25.6	25	22.6	20	17.1	14	12.1	9.8	8.5	6.2	4.8	2.1	-

Moteur 400 volts - 1450 tours/minute.

Refoulement horizontal DN 200 - Passage libre 100 mm.

Référence	MOTEUR		Kg	m³/h l/min	0	150	300	450	550	685	756	790	892	1000	1150	1250	1340	1370	1400	1410	1420		
	kW	A			0	2500	5000	7500	9167	11417	12600	13167	14867	16667	19167	20833	22333	22833	23833	23500	23666		
ZUG OC 200C 90-4-395	90.00	167	1500	H m	43	41	38	34.5	32	29	27.5	26.5	24	22	18	15	11	-	-	-	-		
ZUG OC 200C 90-4-405	90.00	167	1500		47.5	45	41.5	38	36	32.5	-	-	-	-	-	-	-	-	-	-	-	-	
ZUG OC 200C 110-4-405	110.00	206	1574		47.5	45	41.5	38	36	32.5	30.5	29	27	25	21	17.5	14	13	-	-	-	-	
ZUG OC 200C 110-4-420	110.00	206	1574		51.5	48.5	45.5	42	39	36	34	33.5	31	28	24	21	17.5	16	15	-	-	-	-
ZUG OC 200C 110-4-430	110.00	206	1574		57	53	49.5	46	43	39.5	38	37	-	-	-	-	-	-	-	-	-	-	-
ZUG OC 200C 132-4-430	132.00	238	1728		57	53	49.5	46	43	39.5	38	37	34	33	27	24	20.5	19	18	12	-	-	-
ZUG OC 200C 110-4-440	110.00	206	1574		61	57	53	49	-	-	-	-	-	-	-	-	-	-	-	-	-	-	-
ZUG OC 200C 132-4-440	132.00	238	1728		61	57	53	49	46	43	41	40	37	34	30	26	23	22	20	19.5	19	-	-
ZUG OC 200C 132-4-455	132.00	238	1728		70	63	58	53	50	46.5	44.5	43.5	41	-	-	-	-	-	-	-	-	-	-
ZUG OC 200C 160-4-455	160.00	285	1884		70	63	58	53	50	46.5	44.5	43.5	41	37.5	33	30	26.5	25	24	23	-	-	-
ZUG OC 200C 160-4-465	160.00	285	1884		75.5	69	63	58.5	55.5	51.5	50	48.5	45.5	42.5	38	34	30.5	29	27.5	27	26.5	-	-
ZUG OC 200C 185-4-480	185.00	331	1884		81	75	70	65	61.5	57	54.5	53.5	50	47	42.5	39	36	34.5	33	32.5	31.5	-	-
ZUG OC 200C 185-4-490	185.00	331	1884		88	82	77.5	73.5	70.5	66	63	-	-	-	-	-	-	-	-	-	-	-	-

Pied d'assise (prix sur demande).



Pompes de relevage à roue multi-canaux ouverte

Performances

Moteur 400 volts - 1450 tours/minute.

Refoulement horizontal DN 200 - Passage libre 80 mm.

Référence	MOTEUR		Kg	m ³ /h l/min	0	160	280	440	560	684	709	800	886	910	1040	1130	1150
	kW	A			0	2667	4667	7333	9333	11400	11817	13333	14767	15167	17333	18833	19167
ZUG OC 200G 90-4-420	90.00	167	1521	H m	62	54	50.5	46	42.5	38.5	38	-	-	-	-	-	-
ZUG OC 200G 110-4-420	110.00	206	1595		62	54	50.5	46	42.5	38.5	38	35	32.5	31.5	26	23	-
ZUG OC 200G 110-4-440	110.00	206	1595		68.5	60	56	51.5	47.5	43.5	43	40	37	36.5	-	-	-
ZUG OC 200G 132-4-440	132.00	238	1749		68.5	60	56	51.5	47.5	43.5	43	40	37	36.5	31.5	27.5	-
ZUG OC 200G 110-4-460	110.00	206	1595		75.5	67	62	57.5	53	-	-	-	-	-	-	-	-
ZUG OC 200G 132-4-460	132.00	238	1749		75.5	67	62	57.5	53	49	48	45	42	41	37	33	32
ZUG OC 200G 132-4-480	132.00	238	1749		82.5	72.5	68.5	63.5	59	55	-	-	-	-	-	-	-
ZUG OC 200G 160-4-480	160.00	285	1905		82.5	72.5	68.5	63.5	59	55	54	51	48	47	42	38	37
ZUG OC 200G 160-4-500	160.00	285	1905		89.5	78.5	74.5	69.5	66	61	60.5	57	53.5	-	-	-	-

Moteur 400 volts - 1450 tours/minute.

Refoulement horizontal DN 250 - Passage libre 110 mm.

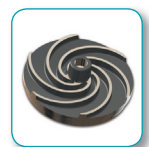
Référence	MOTEUR		Kg	m ³ /h l/min	0	200	400	600	800	1035	1200	1400	1610	1630	1725	1892	2010	2040
	kW	A			0	3333	6666	10000	13333	17250	20000	23333	26833	27167	28750	31533	33500	34000
ZUG OC 250C 45-4-334	45.00	80	673	H m	38.5	32.5	27	21	14	3.5	-	-	-	-	-	-	-	-
ZUG OC 250B 90-4-345	90.00	167	1437		37.5	34.5	32	28.5	24	19.5	17	14	9.5	-	-	-	-	-
ZUG OC 250B 90-4-360	90.00	167	1437		41.5	37.5	35	31.5	27.5	23	19	16	11.5	10.5	-	-	-	-
ZUG OC 250B 110-4-385	110.00	206	1511		50	43.5	41	38	34	28.5	24.5	20.5	16	15	12.5	-	-	-
ZUG OC 250B 132-4-410	132.00	238	1665		58.5	51.5	47	44	40.5	35	30.5	26	20.5	19	17	12	-	-
ZUG OC 250B 160-4-440	160.00	285	1821		68.5	61	56	52.5	48	42.5	38.5	33	27	26	23	19	14	-
ZUG OC 250B 185-4-460	185.00	331	1821		73	66	63	58.5	54	48	43	37.5	31.5	30	27	22.5	18	15.5

Moteur 400 volts - 1450 tours/minute.

Refoulement horizontal DN 250 - Passage libre 80 mm.

Référence	MOTEUR		Kg	m ³ /h l/min	0	80	180	280	400	520	672	712	740	765	790	830	875
	kW	A			0	1333	3000	4667	6667	8667	11200	11867	12333	12750	13167	13333	14583
ZUG OC 250H 11-4-240	11.00	21.2	383	H m	11.8	10.9	9.2	7.9	6.3	4.2	1.2	-	-	-	-	-	-
ZUG OC 250H 15-4-255	15.00	28.5	396		14.2	13.1	11.5	9.7	7.9	5.7	2.3	1.5	-	-	-	-	-
ZUG OC 250H 15-4-269	15.00	28.5	396		18.3	16.6	14.8	12.7	10.5	7.7	3.8	2.9	2.1	-	-	-	-
ZUG OC 250H 18.5-4-275	18.50	35.2	481		25.5	21.6	19	16.5	13.3	10	5.2	3.8	2.9	1.7	-	-	-
ZUG OC 250H 22-4-290	22.00	40.6	498		29.1	25	22	17.5	16.2	12.2	6.8	5.3	4.1	3	2	-	-
ZUG OC 250H 30-4-305	30.00	55.7	536		32.6	28.1	24.8	22.2	19	15	9.4	7.5	6.5	5.4	4.3	2	-
ZUG OC 250H 30-4-315	30.00	55.7	536		35.1	30.2	27	24.3	21	17	11.3	9.7	8.7	7.6	6.6	4.5	2.1

ZUG HP POMPES DE RELEVAGE À ROUE MULTI-CANAUX OUVERTE - À HAUT RENDEMENT ÉNERGÉTIQUE



Moteur 400 volts - 2900 tours/minute.

Refoulement horizontal DN 32 G2" - Passage libre 10 mm.

Référence	MOTEUR		Kg	m ³ /h l/min	0	6	10	14	18	22	23.4	26.4	30	33	39
	kW	A			0	100	167	233	300	367	390	440	500	550	650
ZUG HP 050B 5.5-2-190	5.50	10.2	121	H m	46.1	45.5	45	44.6	43.9	43	42.5	-	-	-	-
ZUG HP 050B 7.5-2-190	7.50	14.12	134		46.1	45.5	45	44.6	43.9	43	42.5	41.5	39.9	38.4	34
ZUG HP 050A 7.5-2-185	7.50	14.12	129		51.6	48.5	46	43.6	41.2	38.5	37.4	35.1	31.9	27.8	-
ZUG HP 050A 9.2-2-190	9.20	16.5	133		54	51.9	47.5	45.1	44.5	41.6	40.5	38.1	35	30.5	-
ZUG HP 050A 7.5-2-196	7.50	14.12	129		58.3	56.2	53.5	51.4	48.6	45.5	44.5	42.1	-	-	-
ZUG HP 050A 9.2-2-196	9.20	16.5	133		58.3	56.2	53.5	51.4	48.6	45.5	44.5	42.1	38.8	34.5	-

⚠ Pied d'assise (prix sur demande).



Pompes de relevage à roue vortex

Performances

Moteur 400 volts - 2900 tours/minute.

Refoulement horizontal DN 65 - Passage libre 65 mm.

Référence	MOTEUR		Kg	m ³ /h															
	kW	A		0	4	8	16	24	32	40	47	55	69	83	95	104			
ZUG V 065A 4-2-125	4.00	7.7	121.5	18	17.4	16.8	15.4	13.4	11.3	9.2	7.4	5.4	2.3	-	-	-			
ZUG V 065A 5.5-2-125	5.50	10.2	124.5	22	21.3	20.8	19.6	18	16.2	14	12	-	-	-	-	-			
ZUG V 065A 4-2-135	4.00	7.7	121.5	22	21.3	20.8	19.6	18	16.2	14	12	10.2	6.7	3.3	-	-			
ZUG V 065A 5.5-2-135	5.50	10.2	124.5	25.9	25.2	24.7	23.7	22.5	21.5	20	18.5	-	-	-	-	-			
ZUG V 065A 5.5-2-145	5.50	10.2	124.5	25.9	25.2	24.7	23.7	22.5	21.5	20	18.5	17	13.5	10.5	8	-			
ZUG V 065A 7.5-2-145	7.50	14.1	137.5	25.9	25.2	24.7	23.7	22.5	21.5	20	18.5	17	13.5	10.5	8	5.5			
ZUG V 065A 9-2-145	9.00	16.5	141.5																

Moteur 400 volts - 2900 tours/minute.

Refoulement horizontal DN 80 - Passage libre 80 mm.

Référence	MOTEUR		Kg	m ³ /h															
	kW	A		0	5	20	35	45	59	71	89	101	107	120	133	158			
ZUG V 080A 4-2-125	4.00	7.7	121.9	11.5	11.4	10	7.8	6.1	4.2	2.5	0.9	-	-	-	-	-			
ZUG V 080A 4-2-135	4.00	7.7	121.9	15.7	15.5	13.8	11.5	9.5	-	-	-	-	-	-	-	-			
ZUG V 080A 5.5-2-135	5.50	10.2	124.9	15.7	15.5	13.8	11.5	9.5	7.4	5.3	2.7	1.5	-	-	-	-			
ZUG V 080A 7.5-2-145	7.50	14.1	137.9	21.7	21.4	19	16.8	15.9	12.5	-	-	-	-	-	-	-			
ZUG V 080A 9.2-2-145	9.20	16.5	141.9	21.7	21.4	19	16.8	15.9	12.5	10.2	7	5	4.2	2.7	1.9	-			
ZUG V 080A 7.5-2-155	7.50	14.1	137.9	26.2	26	24.2	21.9	20.1	17.8	15.5	-	-	-	-	-	-			
ZUG V 080A 9.2-2-155	9.20	16.5	141.9	26.2	26	24.2	21.9	20.1	17.8	15.5	12.3	10.1	9.5	-	-	-			
ZUG V 080A 11-2-155	11.00	20	145.9	26.2	26	24.2	21.9	20.1	17.8	15.5	12.3	10.1	9.5	7.2	5.4	3			

Référence	MOTEUR		Kg	m ³ /h															
	kW	A		0	25	47	58	72	92	102	110	120	126	129	137	157	165		
ZUG V 080B 7.5-2-155	7.50	14.1	158.2	27.2	23.5	18.5	16	12.5	8.2	7	6	-	-	-	-	-			
ZUG V 080B 9.2-2-155	9.20	16.5	162.2	27.2	23.5	18.5	16	12.5	8.2	7	6	5	-	-	-	-			
ZUG V 080B 7.5-2-160	7.50	14.1	158.2	28.9	25	21	17.5	14	10	-	-	-	-	-	-	-			
ZUG V 080B 9.2-2-160	9.20	16.5	162.2	28.9	25	21	17.5	14	10	8	7	6	5.5	-	-	-			
ZUG V 080B 11-2-160	11.00	20	166.2	28.9	25	21	17.5	14	10	8	7	6	5.5	5	-	-			
ZUG V 080B 9.2-2-170	9.20	16.5	162.2	33.9	31	27.2	24	20.5	-	-	-	-	-	-	-	-			
ZUG V 080B 11-2-170	11.00	20	166.2	33.9	31	27.2	24	20.5	15.5	13.5	11.9	9.9	9	-	-	-			
ZUG V 080B 15-2-170	15.00	26.8	229.3	33.9	31	27.2	24	20.5	15.5	13.5	11.9	9.9	9	8.5	7.5	5			
ZUG V 080B 11-2-185	11.00	20	166.2	40.5	37.1	34	-	-	-	-	-	-	-	-	-	-			
ZUG V 080B 15-2-185	15.00	26.8	229.3	40.5	37.1	34	31.8	28	22.5	19.8	18	15.8	14.5	14	12.7	-			
ZUG V 080B 18.5-2-185	18.50	33.1	238.4	40.5	37.1	34	31.8	28	22.5	19.8	18	15.8	14.5	14	12.7	9.5			
ZUG V 080B 15-2-194	15.00	26.8	229.3	48	43.5	41	39	-	-	-	-	-	-	-	-	-			
ZUG V 080B 18.5-2-194	18.50	33.1	238.4	48	43.5	41	39	37	32.9	30.2	-	-	-	-	-	-			

Moteur 400 volts - 2900 tours/minute.

Refoulement horizontal DN 100 - Passage libre 100 mm.

Référence	MOTEUR		Kg	m ³ /h																
	kW	A		0	20	40	60	94	115	147	155	166	180	185	200	210	218	231	242	250
ZUG V 100A 15-2-150	15.00	26.8	231.2	23	21	19	17	13	11	7	6	4.5	3	-	-	-	-	-	-	-
ZUG V 100A 18.5-2-150	18.50	33.1	240.7	23	21	19	17	13	11	7	6	4.5	3	2.5	2	-	-	-	-	-
ZUG V 100A 15-2-160	15.00	26.8	231.2	29	27.5	26	23	19	17	-	-	-	-	-	-	-	-	-	-	-
ZUG V 100A 18.5-2-160	18.50	33.1	240.7	29	27.5	26	23	19	17	12.5	12	10	-	-	-	-	-	-	-	-
ZUG V 100A 22-2-160	22.00	39.3	297.8	29	27.5	26	23	19	17	12.5	12	10	8	7.5	6	4.5	-	-	-	-
ZUG V 100A 22-2-170	22.00	39.3	297.8	36	34	32	29	26	23	18	17.5	-	-	-	-	-	-	-	-	-
ZUG V 100A 30-2-170	30.00	53	308	36	34	32	29	26	23	18	17.5	16	14	13.5	11.5	9.5	8	7	5.5	-
ZUG V 100A 22-2-180	22.00	39.3	297.8	42.5	40	38	35.5	31	28	24	23	22	19	18.5	17	15	-	-	-	-
ZUG V 100A 30-2-180	30.00	53	308	42.5	40	38	35.5	31	28	24	23	22	19	18.5	17	15	14	12	11	10
ZUG V 100A 22-2-190	22.00	39.3	297.8	48	46	44	42	37.5	34.5	29	28	27	25	-	-	-	-	-	-	-
ZUG V 100A 30-2-190	30.00	53	308	48	46	44	42	37.5	34.5	29	28	27	25	24	22.5	21	19	17	-	-
ZUG V 100A 37-2-200	37.00	64	308	54	52.5	50	48	43	40	35.5	34	32.5	30	29	27	26	24.5	-	-	-
ZUG V 100A 37-2-210	37.00	64	308	59	57.5	56	53	49.5	46	40.5	39	38	35.5	34.5	-	-	-	-	-	-
ZUG V 100A 37-2-220	37.00	64	308	65.5	64	62	60	57	52.5	47.5	-	-	-	-	-	-	-	-	-	-
ZUG V 100A 37-2-230	37.00	64	308	71	69	67.5	66	62	59	-	-	-	-	-	-	-	-	-	-	-
ZUG V 100A 37-2-240	37.00	64	308	77	74	73	71	67.5	-	-	-	-	-	-	-	-	-	-	-	-

Pied d'assise (prix sur demande).



Pompes de relevage à roue vortex

Performances

Moteur 400 volts - 1450 tours/minute.

Refolement horizontal DN 80 - Passage libre 80 mm.

Référence	MOTEUR		Kg	m³/h l/min	0	20	40	60	85	87	104	122	144	166
	kW	A			0	333	667	1000	1417	1450	1733	2033	2400	2767
ZUG V 080C 3-4-150	3.00	6.6	147.8	H m	6.7	5.8	4.5	3.2	2	1.9	1.2	-	-	-
ZUG V 080C 3-4-165	3.00	6.6	147.8		9	8	6.8	5.5	4	3.8	3	1.9	-	-
ZUG V 080C 3-4-180	3.00	6.6	147.8		10.6	9.9	8.8	7.4	5.6	5.5	-	-	-	-
ZUG V 080C 4-4-180	4.00	8.45	181.8		10.6	9.9	8.8	7.4	5.6	5.5	4.5	3.5	2.1	-
ZUG V 080C 4-4-198	4.00	8.45	181.8		12.6	12.1	11.2	9.9	8.4	-	-	-	-	-
ZUG V 080C 5.5-4-198	5.50	11.65	185.8		12.6	12.1	11.2	9.9	8.4	8.3	7.2	6	4.5	2.8

Moteur 400 volts - 1450 tours/minute.

Refolement horizontal DN 100 - Passage libre 100 mm.

Référence	MOTEUR		Kg	m³/h l/min	0	30	58	63	70	80	105	110	115	128	134	151	160	180	192	212	225	247	265
	kW	A			0	500	967	1050	1167	1333	1750	1833	1917	2133	2233	2517	2667	3000	3200	3533	3750	4117	4417
ZUG V 100B 3-4-165	3.00	6.6	147.2	H m	7.6	6.3	4.5	4.4	3.7	3.3	1.8	1.5	1.1	0.9	-	-	-	-	-	-	-	-	-
ZUG V 100B 3-4-190	3.00	6.6	147.2		11.6	10.1	8.2	8	-	-	-	-	-	-	-	-	-	-	-	-	-	-	-
ZUG V 100B 4-4-190	4.00	8.45	171.2		11.6	10.1	8.2	8	7.3	6.9	4.9	4.5	4.1	3.3	3	-	-	-	-	-	-	-	-
ZUG V 100B 5.5-4-190	5.50	11.65	185.2		11.6	10.1	8.2	8	7.3	6.9	4.9	4.5	4.1	3.3	3	2	-	-	-	-	-	-	-
ZUG V 100B 4-4-210	4.00	8.45	171.2		14.6	13.3	11.5	-	-	-	-	-	-	-	-	-	-	-	-	-	-	-	-
ZUG V 100B 5.5-4-210	5.50	11.65	185.2		14.6	13.3	11.5	11.4	10.6	10.1	8	7.6	7.1	6.2	5.7	4.3	3.5	-	-	-	-	-	-
ZUG V 100B 7.5-4-210	7.50	14.5	217.5		14.6	13.3	11.5	11.4	10.6	10.1	8	7.6	7.1	6.2	5.7	4.3	3.5	2.2	-	-	-	-	-
ZUG V 100B 5.5-4-220	5.50	11.65	185.2		15.9	14.8	13	12.8	12	11.5	10.3	-	-	-	-	-	-	-	-	-	-	-	-
ZUG V 100B 7.5-4-220	7.50	14.5	217.5		15.9	14.8	13	12.8	12	11.5	10.3	9	8.5	7.5	7	5.5	4.6	3.2	2.6	-	-	-	-
ZUG V 100B 5.5-4-235	5.50	11.65	185.2		18.5	17.1	15.6	15.4	14.8	-	-	-	-	-	-	-	-	-	-	-	-	-	-
ZUG V 100B 7.5-4-235	7.50	14.5	217.5		18.5	17.1	15.6	15.4	14.8	14	11.4	11	10.5	9.4	8.9	7.3	6.5	5.1	4.2	2.9	-	-	-
ZUG V 100B 7.5-4-245	7.50	14.5	217.5		19.9	18.6	17.1	16.9	16.3	15.7	13.1	12.7	12	-	-	-	-	-	-	-	-	-	-
ZUG V 100B 9-4-245	9.00	18.3	238.5		19.9	18.6	17.1	16.9	16.3	15.7	13.1	12.7	12	11	10.5	8.9	8	6.6	5.7	4.2	3.5	-	-
ZUG V 100B 7.5-4-255	7.50	14.5	217.5		21.9	20.5	19.1	19	18.5	18	-	-	-	-	-	-	-	-	-	-	-	-	-
ZUG V 100B 9-4-255	9.00	18.3	238.5		21.9	20.5	19.1	19	18.5	18	15.5	15.1	14.5	-	-	-	-	-	-	-	-	-	-
ZUG V 100B 11-4-255	11.00	21.1	289.7		21.9	20.5	19.1	19	18.5	18	15.5	15.1	14.5	13.5	12.9	11.4	10.4	8.9	7.9	6.3	5.4	3.9	-
ZUG V 100B 9-4-266	9.00	18.3	238.5		24.2	23.1	22	21.9	21.4	21	-	-	-	-	-	-	-	-	-	-	-	-	-
ZUG V 100B 11-4-266	11.00	21.2	289.7		24.2	23.1	22	21.9	21.4	21	19.2	18.8	-	-	-	-	-	-	-	-	-	-	-
ZUG V 100B 15-4-266	15.00	28.5	303.4		24.2	23.1	22	21.9	21.4	21	19.2	18.8	18.3	17.3	16.8	15.3	14.5	13	12	10.3	9.3	7.4	5.9

Moteur 400 volts - 1450 tours/minute.

Refolement horizontal DN 150 - Passage libre 150 mm.

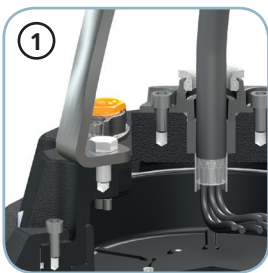
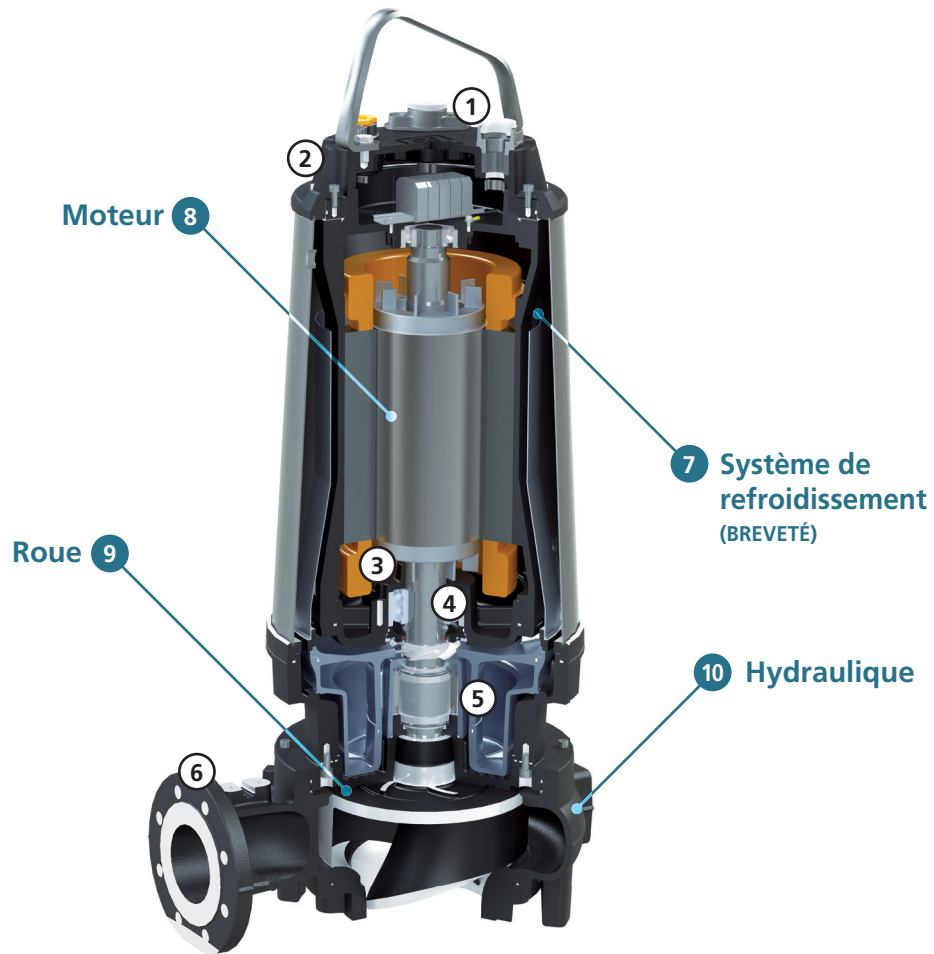
Référence	MOTEUR		Kg	m³/h l/min	0	36	72	108	144	180	216	252	288	313	331	367	391
	kW	A			0	600	1200	1800	2400	3000	3600	4200	4800	5217	5517	6117	6517
ZUG V 150A 7.5-4-235	7.50	14.5	229.7	H m	10.2	9.6	9.1	8.3	7.2	5.8	4.2	2.7	1.4	0.8	-	-	-
ZUG V 150A 9-4-245	9.00	18.3	250.7		11.9	11	10.5	9.7	8.7	7.2	5.5	3.6	2	1.2	0.9	-	-
ZUG V 150A 11-4-255	11.00	21.1	301.9		14.2	13.3	12.7	11.9	10.9	9.6	7.8	5.9	4	2.7	2.1	1	-
ZUG V 150A 15-4-266	15.00	28.5	315.6		17.7	16.4	15.6	14.9	14	12.7	11.2	9.3	7.3	5.9	5	3.3	2.2

Pied d'assise (prix sur demande).

ZUG OC - ZUG V

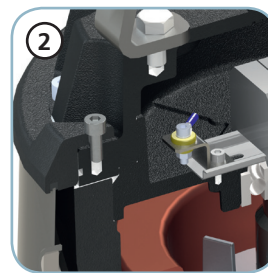


Pompes de relevage à roue multi-canaux ouverte ou roue vortex



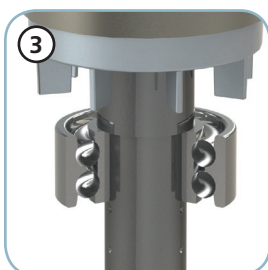
1 Passe-câble

Sur demande, l'enrésinement de l'entrée des câbles est réalisé, empêchant ainsi toute infiltration d'eau dans le couvercle du moteur, également en cas de trituration de la gaine extérieure du câble.



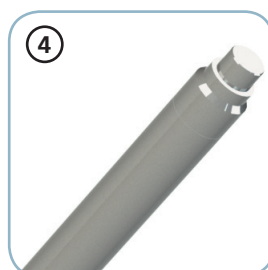
2 Compartiment moteur

Possibilité d'installer une ou plusieurs sondes à l'intérieur du compartiment moteur en vue de signaler la présence d'eau ou d'humidité.



3 Roulements

Roulements surdimensionnés pour garantir 50 000 heures de travail.



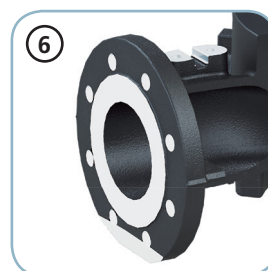
4 Arbre d'entraînement

Arbre d'entraînement en acier AISI 431. Sur option, l'arbre peut être fourni en NITRONIC 50, matériau présentant une résistance chimique et mécanique supérieures aux normes communes AISI 316 et AISI 329.



5 Tenue mécanique

Deux garnitures mécaniques en carbure de silicium dans la chambre à huile et V-ring. L'huile peut être contrôlée et remplacée également lorsque la pompe est en position verticale, en agissant sur les bouchons prévus à cet effet, situés à l'extérieur du support.



6 Brides

Différents types de perçages des brides sont disponibles, tels qu'ANSI, BS



Pompes de relevage à roue multi-canaux ouverte ou roue vortex

Les moteurs d'UNIQA, avec une puissance rendue de 4 à 200 kW, ont été conçus avec l'objectif d'atteindre la classe d'efficacité Premium (IE3). Les pompes UNIQA peuvent fonctionner en mode continu (S1) dans l'eau jusqu'à la température de fonctionnement de 60 C, dans le respect des valeurs relatives à la classe « NEMA A ».

Tous les composants hydrauliques sont conçus afin d'obtenir d'excellentes performances à haute efficacité hydraulique et à larges passages libres.

Les modèles à roue reculée Vortex atteignent des normes élevées en matière d'efficacité énergétique, se plaçant au premier rang par rapport à des morphologies équivalentes présentes sur le marché, permettant l'utilisation de ces pompes en présence d'effluents très chargés.

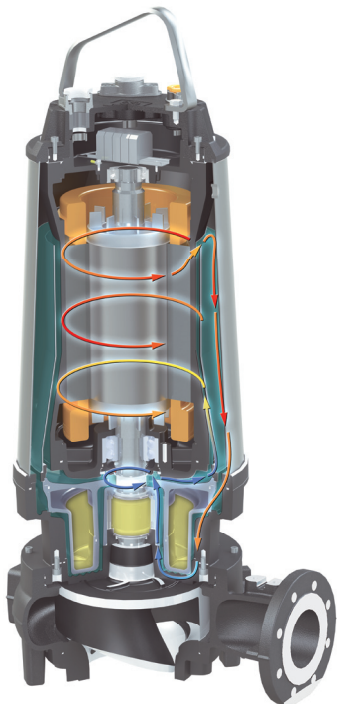
En ce qui concerne les modèles à roue à canaux, conçus également avec de larges passages libres et des rendements hydrauliques très élevés, il convient de souligner la présence du système anti-engorgement ACS, qui permet la trituration et l'expulsion des fibres et garantie des performances constantes dans le temps, une régularité de fonctionnement et une réduction des coûts de gestion et de maintenance. De plus, un système de réglage axial permet de réinitialiser le réglage de la roue et de maintenir les performances inchangées, même suite à l'usure des composants.

Le design particulier de la partie postérieure des roues, associé au positionnement protégé des garnitures mécaniques, contribue à éviter les possibilités d'engorgement, également en présence de liquides très chargés et d'impuretés filamenteuses.

Le système d'étanchéité assure un fonctionnement continu et régulier grâce à la présence de deux garnitures mécaniques en carbure de silicium, mises l'une en face de l'autre (côté moteur et côté hydraulique), dans la chambre à huile écologique et un V-ring externe. Il est possible, dans la chambre à huile, d'installer une sonde d'humidité qui, reliée de manière appropriée au dispositif d'alarme du tableau électrique de commande, est en mesure de signaler une éventuelle perte d'efficacité de la première garniture, permettant ainsi d'intervenir tout en préservant le moteur.

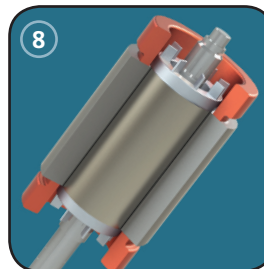
Concernant les applications hors cuve, un système breveté permet de maintenir la température du moteur à de faibles valeurs grâce à un circuit fermé à recirculation interne ; le fluide utilisé pour le refroidissement est constamment séparé du reflux, de sorte à garantir l'efficacité et la longue durée.

Les machines de petites et moyennes dimensions sont fabriquées en fonte sphéroïdale et en acier inoxydable AISI 316, élargissant le champ d'utilisation également à des liquides très agressifs.



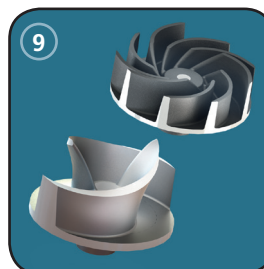
7 Système de refroidissement

Le refroidissement du moteur intervient par le biais d'un système de recirculation interne à « circuit fermé » breveté. De cette manière, le fluide utilisé dans le processus n'est pas altéré, pas même en cas de pénétration accidentelle de liquide contaminé dans la chambre à huile suite à l'usure de la première garniture mécanique.



Moteur

Moteur à efficacité **PREMIUM IE3**, fonctionnement respectant la classe NEMA A, isolé selon la classe H. Fonctionnement garanti en mode S1 même dans l'eau, à la température de 60°C ou plus.



Roue

2 types de roues à haute performance hydraulique sont disponibles : Vortex et à canaux.



Hydraulique

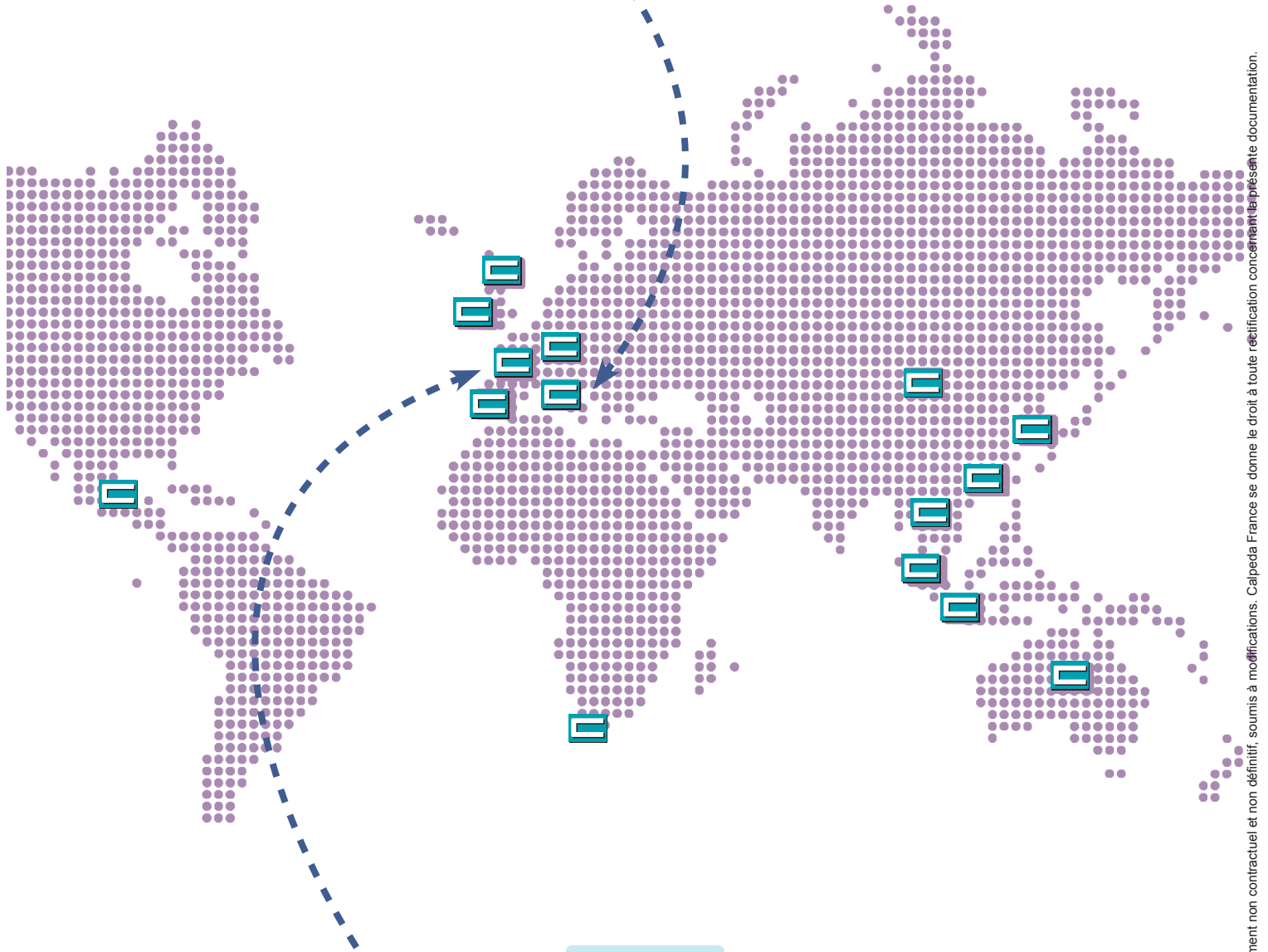
Grande efficacité, performances élevées et larges passages libres. Le système ACS (Anti-Clogging System) empêche le blocage de la roue, même en présence de liquides très chargés.



ITALIE

Calpeda S.p.A.

Via Roggia di Mezzo 39,
36050 Montorso Vicentino - Vicenza
Tel. +39 - 0444 476 476
Fax +39 - 0444 476 477



FRANCE

Calpeda Pompes

19, rue de la communauté - BP 3 - ZA La Forêt
44140 LE BIGNON
Tél. 02 40 03 13 30 - Fax 02 40 03 16 70
Web : www.calpeda.com - e.mail : info@calpeda.fr

ZUG-OC-V - CALPEDA - 11.15 (Doc). Document non contractuel et non définitif, soumis à modifications. Calpeda France se donne le droit à toute rectification concernant la présente documentation.



Calpeda Pompes

19, rue de la communauté - BP 3 - ZA La Forêt - 44140 LE BIGNON
Tél. 02 40 03 13 30 - Fax 02 40 03 16 70 - email : info@calpeda.fr - www.calpeda.com

SAS au capital de 1 030 000 € - RCS Nantes B 322 698 093 - Siret 322 698 093 00059 - Code NAF 4669B - N° TVA intra communautaire : FR50322698 093



water passion