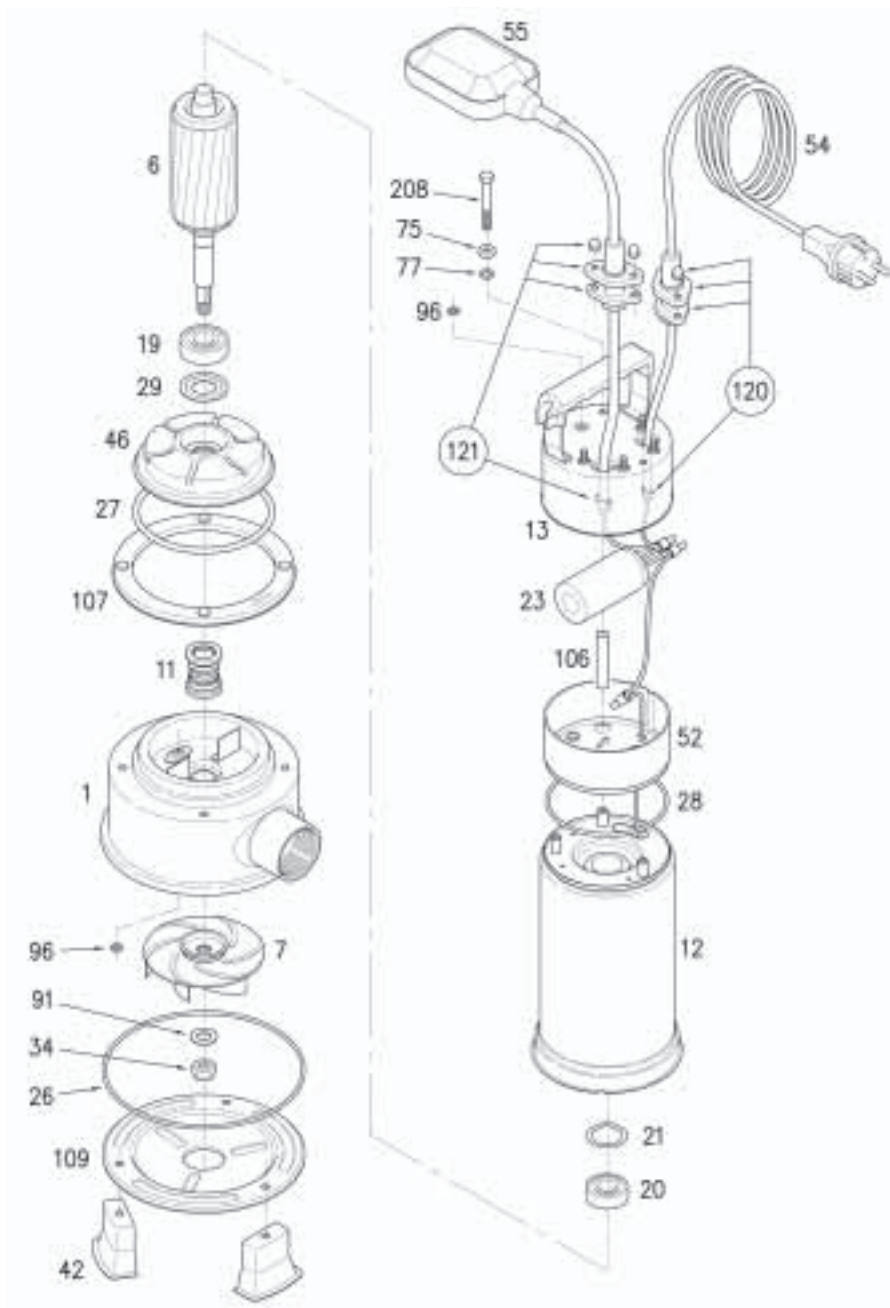


DWG N° 01355



motralec
 4 rue Lavoisier . ZA Lavoisier . 95223 HERBLAY CEDEX
 Tel. : 01.39.97.65.10 / Fax. : 01.39.97.68.48
 Demande de prix / e-mail : service-commercial@motralec.com
www.motralec.com

RICAMBI/SPARE PARTS
ELETTROPOMPE SOMMERGIBILI per ACQUE CARICHE/SUBMERSIBLE PUMPS for DIRTY WATER

Pos.	Denominazione	Part name	RIGHT 75 M	RIGHT 75 M SG	RIGHT 100 M	RIGHT 100 M SG
			1771030021	1771031321	1771050021	1771051321
001	CORPO POMPA	Casing	251402130			
006	ALBERO ROTORE	Shaft with rotor	275412194		275412193	
007	GIRANTE	Impeller	241450716		241450715	
011-K	KIT-TENUTA MECCANICA	Kit-Mechanical seal	364500016			
012	CASSA MOTORE	Motor frame	257902125		257902131	
013	COPERCHIO MOTORE	Motor cover	251402189	251402190	251402189	251402190
019-K	CUSCINETTO	Bearing	364500016			
020-K	CUSCINETTO	Bearing	364500016			
021-K	ANELLO COMPENSATORE	Adjusting ring	364500016			
023	CONDENSATORE	Capacitor	361401200		361401315	
026-K	ANELLO OR	"O" ring	364500016			
027-K	ANELLO OR	"O" ring	364500016			
028-K	ANELLO OR	"O" ring	364500016			
029-K	RONDELLA	Washer	364500016			
034-K	DADO GIRANTE	Impeller nut	364500016			
042	PIEDINO	Foot	371472032 (3)			
046	SUPPORTO CUSC.INF.	Bearing housing	240480007			
052	SCATOLA P/COND.	Terminal insulating box	372582001			
054	CAVO	Power cable	367900008			
055	GALLEGGIANTE	Float switch	365231006	365231006
075	RONDELLA	Washer	360676020 (3)			
077-K	ANELLO OR	"O" ring	364500016			
091	RONDELLA	Washer	360676023			
096-K	ANELLO OR	"O" ring	364500016			
106	DISTANZ.PER VITE	Screw spacer	375434024 (3)			
107	ANELLO BLOCCAGGIO	Coupling ring	251402129			
109	COPERCHIO LATO ASP.	Suction side cover	230225068			
120	GR.PRESSACAVO ALIM.	Cable connector set-power	352665014			
121	GR.PRESSACAVO GALL.	Cable connector set-float	352665014	352665014
208	VITE	Screw	369605006 (3)			

(n)=Quantità per pompa / Quantity for pump

K=kit

DWG N° 01355

RICAMBI/SPARE PARTS
ELETTROPOMPE SOMMERGIBILI per ACQUE CARICHE/SUBMERSIBLE PUMPS for DIRTY WATER

Pos.	Denominazione	Part name	RIGHT 75	RIGHT 100
			1771030004	1771050004
001	CORPO POMPA	Casing	251402130	
006	ALBERO ROTORE	Shaft with rotor	275412192	275412191
007	GIRANTE	Impeller	241450716	241450715
011-K	KIT-TENUTA MECCANICA	Kit-Mechanical seal	364500016	
012	CASSA MOTORE	Motor frame	257902025	257902031
013	COPERCHIO MOTORE	Motor cover	251402190	
019-K	CUSCINETTO	Bearing	364500016	
020-K	CUSCINETTO	Bearing	364500016	
021-K	ANELLO COMPENSATORE	Adjusting ring	364500016	
026-K	ANELLO OR	"O" ring	364500016	
027-K	ANELLO OR	"O" ring	364500016	
028-K	ANELLO OR	"O" ring	364500016	
029-K	RONDELLA	Washer	364500016	
034-K	DADO GIRANTE	Impeller nut	364500016	
042	PIEDINO	Foot	371472032 (3)	
046	SUPPORTO CUSC.INF.	Bearing housing	240480007	
052	SCATOLA P/COND.	Terminal insulating box	372582001	
054	CAVO	Power cable	367900028	
075	RONDELLA	Washer	360676020 (3)	
077-K	ANELLO OR	"O" ring	364500016	
091	RONDELLA	Washer	360676023	
096-K	ANELLO OR	"O" ring	364500016	
106	DISTANZ.PER VITE	Screw spacer	375434024 (3)	
107	ANELLO BLOCCAGGIO	Coupling ring	251402129	
109	COPERCHIO LATO ASP.	Suction side cover	230225068	
120	GR.PRESSACAPO ALIM.	Cable connector set-power	352665015	
208	VITE	Screw	369605006 (3)	

(n)=Quantità per pompa / Quantity for pump

K=kit

DWG N° 01355