

**SMI****motralec**

4 rue Lavoisier . ZA Lavoisier . 95223 HERBLAY CEDEX  
 Tel. : 01.39.97.65.10 / Fax. : 01.39.97.68.48  
 Demande de prix / e-mail : service-commercial@motralec.com  
[www.motralec.com](http://www.motralec.com)



## Single-channel closed impeller

### General characteristics

- Single-channel closed impeller
- 1,5 kW motor power
- 2 poles
- GAS 2" - DN80 delivery port
- 50 mm free passage

### Electromechanical assembly

Electromechanical assembly in GJL-250 cast iron, for submerged operation. Seal set comprising 1 (one) silicon carbide mechanical seal and 1 (one) graphite alumina lip seal, installed in series in inspectable oil sump. Ecological dry motor. Separate pump body. Series not available in explosion-proof version.

### Applications

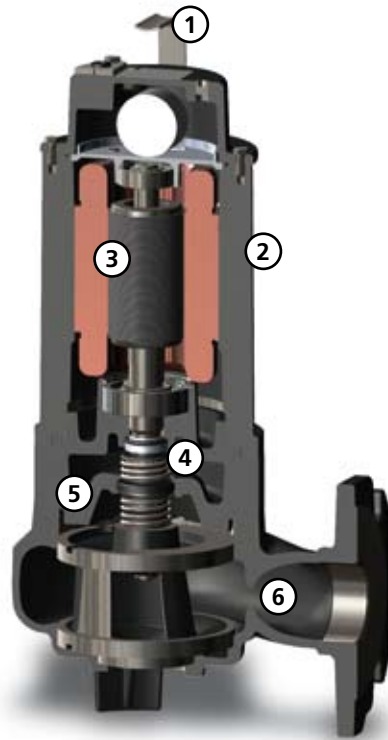
Suitable for pumping wastewater from public establishments, small sewer systems, livestock farms, the food industry, agriculture and for irrigation. This electric pump is intended for both domestic and professional use.

### Construction materials

<b>Case</b>	Cast Iron EN-GJL 250
<b>Impeller</b>	Cast iron EN-GJL-250
<b>Nuts and bolts</b>	Stainless Steel - Class A2-70
<b>Standard gasket</b>	Rubber - NBR
<b>Shaft</b>	Stainless Steel - AISI 420
<b>Set of standard mechanical seals</b>	One Silicon carbide mechanical seal (SiC) and One Carbon-Aluminium oxide mechanical seal (AL)

### operating limits

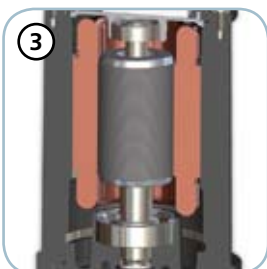
<b>Maximum operating temperature</b>	40 °C
<b>PH of treated fluid</b>	6 to 10 pH
<b>Viscosity of treated fluid</b>	1 mm <sup>2</sup> /s
<b>Maximum immersion depth</b>	20 m
<b>Density of treated fluid</b>	1 Kg/dm <sup>3</sup>
<b>Maximum acoustic pressure</b>	70 dB
<b>max starts per hour</b>	20



**1 Handle**  
AISI 304 stainless steel lifting and carrying handle



**2 Structure**  
Constructed in GJL-250 cast iron



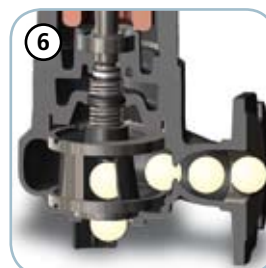
**3 Motor**  
Ecological dry motor with thermal overloads



**Mechanical seals**  
One mechanical seal in silicon carbide (SiC) and one mechanical seal in alumina graphite (AL)



**5 Oil sump**  
Large oil sump to guarantee longer mechanical seal lifetime



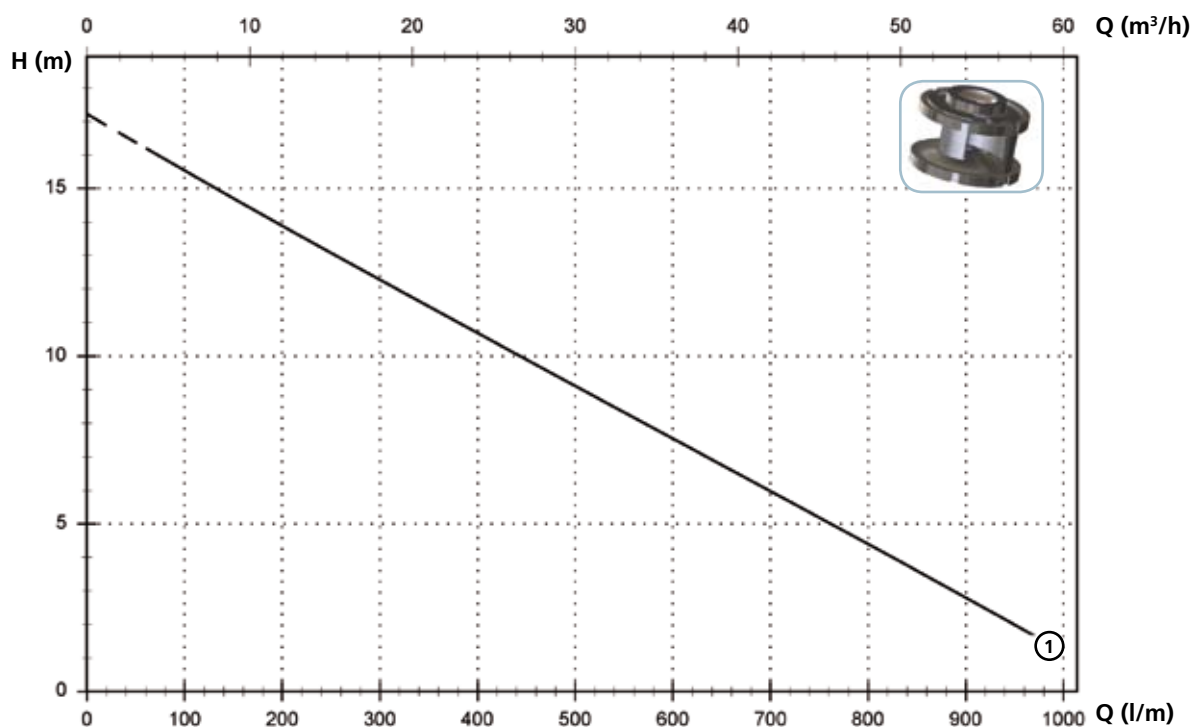
**Free passage**  
Ample free passage allowing the expulsion of solids and preventing fouling of the impeller

# SMI

## Models with horizontal GAS 2" threaded and DN80 PN10 flanged delivery port - 2 poles

### Performances

	l/s	0	2	4	6	8	10	12	14	16
	l/min	0	120	240	360	480	600	720	840	960
	m <sup>3</sup> /h	0	7,2	14,4	21,6	28,8	36,0	43,2	50,4	57,6
① SMI 200/2/G50H A0CM(T)/50		16,8	15,2	13,2	11,3	9,4	7,5	5,7	3,8	1,8



### Technical data

	V	Phases	P1 (kW)	P2 (kW)	A	Rpm	Ø	Cable (*)	Free passage
① SMI 200/2/G50H A0CM/50	230	1	1.9	1.5	9.9	2900	G 2" DN80 PN10	A	50 mm

	V	Phases	P1 (kW)	P2 (kW)	A	Rpm	Ø	Cable (*)	Free passage
① SMI 200/2/G50H A0CT/50	400	3	2.0	1.5	3.5	2900	G 2" DN80 PN10	B	50 mm

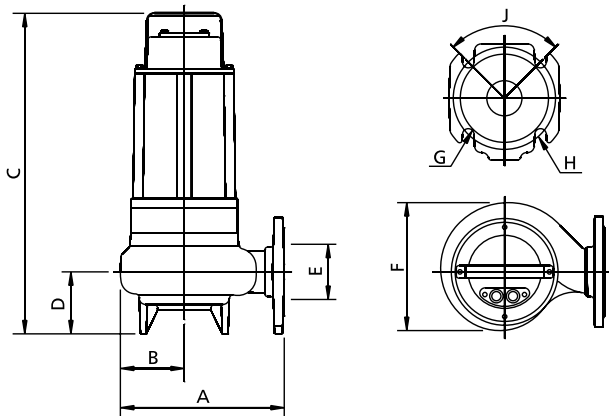
(\*) A = H07RN-F 3G1 - 10 m with shuko plug  
 B = H07RN-F 4G1 - 10 m

**Versions available**

(Key to versions on page 15)

		Electrical variants											Cooling		Mechanical seals					
N	A	T	T	T	T	T	T	T	T	T	T	C	T			2SIC	SICM	SICAL	2SICAL	
E		C	D	D	D	D	D	D	D	D	D	D	D	S	R	G	F	T		
SMI 200/2/G50H A0CM/50		●																	●	
SMI 200/2/G50H A0CT/50														●	●					●

**Overall dimensions and weights**



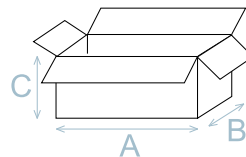
	A	B	C	D	E	F	G	H	J	kg
SMI 200/2/G50H A0CM(T)/50	255	100	505	95	G 2"	200	18	160	90°	38

Measurements in mm

**Packaging dimension**

	A	B	C
SMI 200/2/G50H A0CM(T)/50	725	445	415

Dimension in mm



**Installations available**

