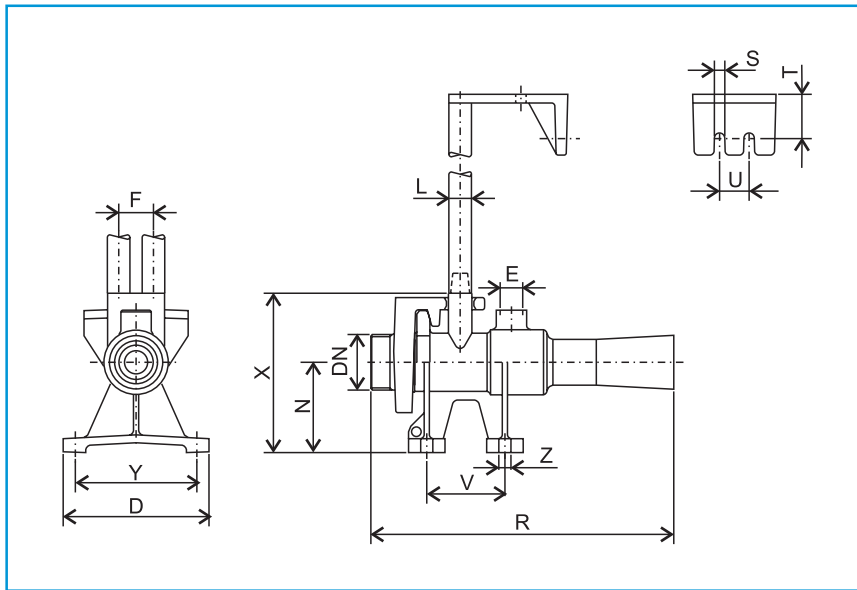
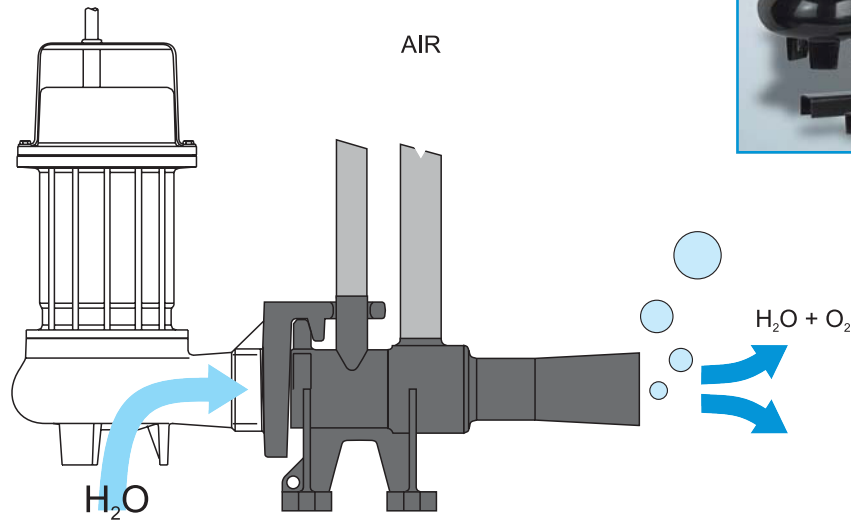


OXYGEN EJECTOR "OXY 50"

In the OXYGEN ejector devices, the liquid drawn in is mixed by the "Venturi" effect with medium-fine air bubbles which increase the contact surface and encourage a high performance exchange of oxygen.



	DNa	D	E	F	L	N	X	R	S	T	U	V	Z	Y	Kg
OXY 50	2"	168	3/4"	40	3/4"	104	183	349	12	51	34	91	14	140	11

Except where specified all dimensions are expressed in mm.

Materials used

Body	Cast iron GJL-250
Choke	Stainless steel INOX AISI 304
Clamping nuts	Steel A2
Paint finish	Ecological epoxy vinyl

Limits of use

Liquid temperature	-15 ÷ 120°C
---------------------------	-------------

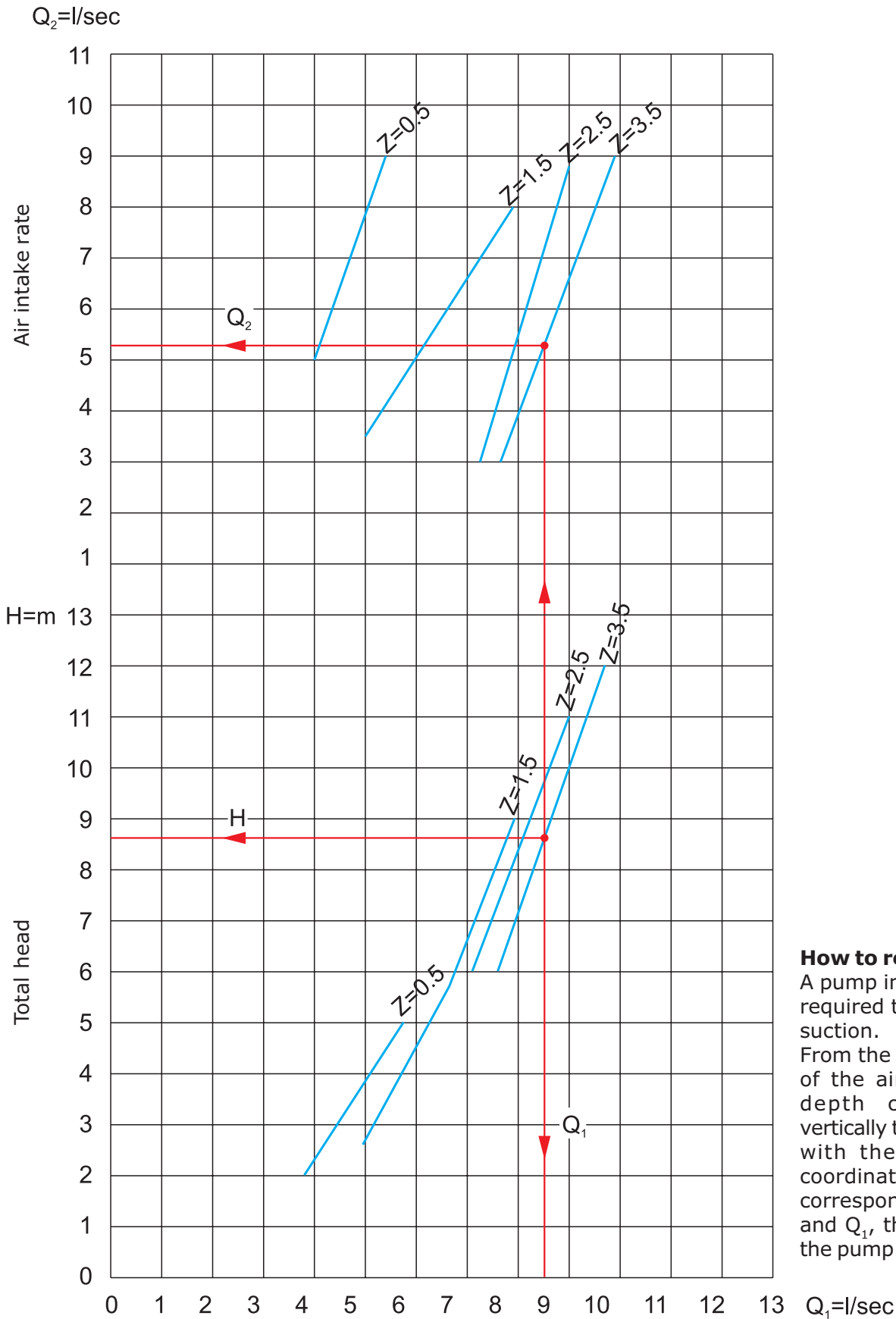
motralec

4 rue Lavoisier . ZA Lavoisier . 95223 HERBLAY CEDEX
 Tel. : 01.39.97.65.10 / Fax. : 01.39.97.68.48
 Demande de prix / e-mail : service-commercial@motralec.com
www.motralec.com

Diagram OXY Ø 50

For identifying the characteristics of the pump

Ejector Ø 27 - Ejector body DN 50 - Air intake pipe Ø 3/4" GAS - Ø int. 22 mm



How to read the diagram:

A pump installed at a depth Z , is required to supply a value Q_2 air suction.

From the intersection of the axis of the air intake rate and the depth curve, move down vertically to find the curve marked with the same Z value: the coordinates of the intersection correspond to the head values H and Q_1 , the capacity required of the pump.

motralec

4 rue Lavoisier . ZA Lavoisier . 95223 HERBLAY CEDEX

Tel. : 01.39.97.65.10 / Fax. : 01.39.97.68.48

Demande de prix / e-mail : service-commercial@motralec.com

www.motralec.com

