

MAI**motralec**

4 rue Lavoisier . ZA Lavoisier . 95223 HERBLAY CEDEX
 Tel. : 01.39.97.65.10 / Fax. : 01.39.97.68.48
 Demande de prix / e-mail : service-commercial@motralec.com

www.motralec.com



Single-channel open impeller

General characteristics

- Single-channel open impeller
- 0,74 kW motor power
- 4 poles
- DN80 delivery port
- 50 mm free passage

Electromechanical assembly

Electromechanical assembly in GJL-250 cast iron, for submerged operation. Seal set comprising 1 (one) silicon carbide mechanical seal and 1 (one) graphite alumina lip seal, installed in series in inspectable oil sump. Ecological dry motor. Separate pump body. Series not available in explosion-proof version.

Applications

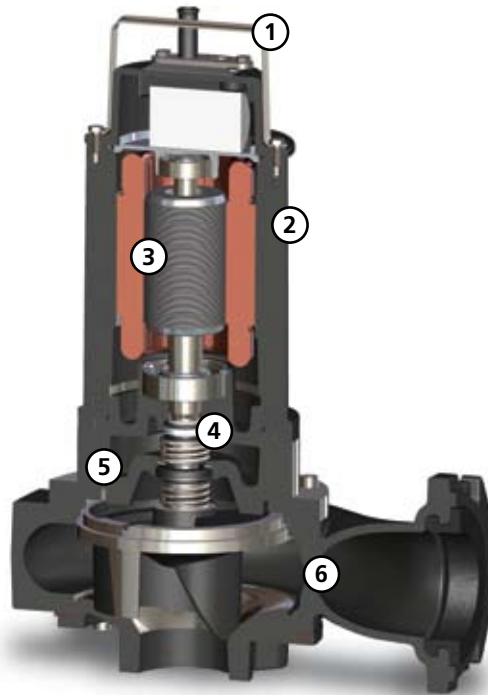
Suitable for pumping wastewater from public establishments, small sewer systems, livestock farms, the food industry and agriculture.

Construction materials

Case	Cast Iron EN-GJL 250
Impeller	Cast iron EN-GJL-250
Nuts and bolts	Stainless Steel - Class A2-70
Standard gasket	Rubber - NBR
Shaft	Stainless Steel - AISI 420
Set of standard mechanical seals	One Silicon carbide mechanical seal (SiC) and One Carbon-Aluminium oxide mechanical seal (AL)

Operating limits

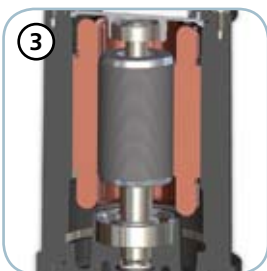
Maximum operating temperature	40 °C
PH of treated fluid	6 to 10 pH
Viscosity of treated fluid	1 mm ² /s
Maximum immersion depth	20 m
Density of treated fluid	1 Kg/dm ³
Maximum acoustic pressure	70 dB
max starts per hour	20



Handle
AISI 304 stainless steel lifting and carrying handle



Structure
Constructed in GJL-250 cast iron



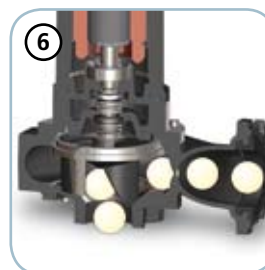
Motor
Ecological dry motor with thermal overloads



Mechanical seals
One mechanical seal in silicon carbide (SiC) and one mechanical seal in alumina graphite (AL)



Oil sump
Large oil sump to guarantee longer mechanical seal lifetime



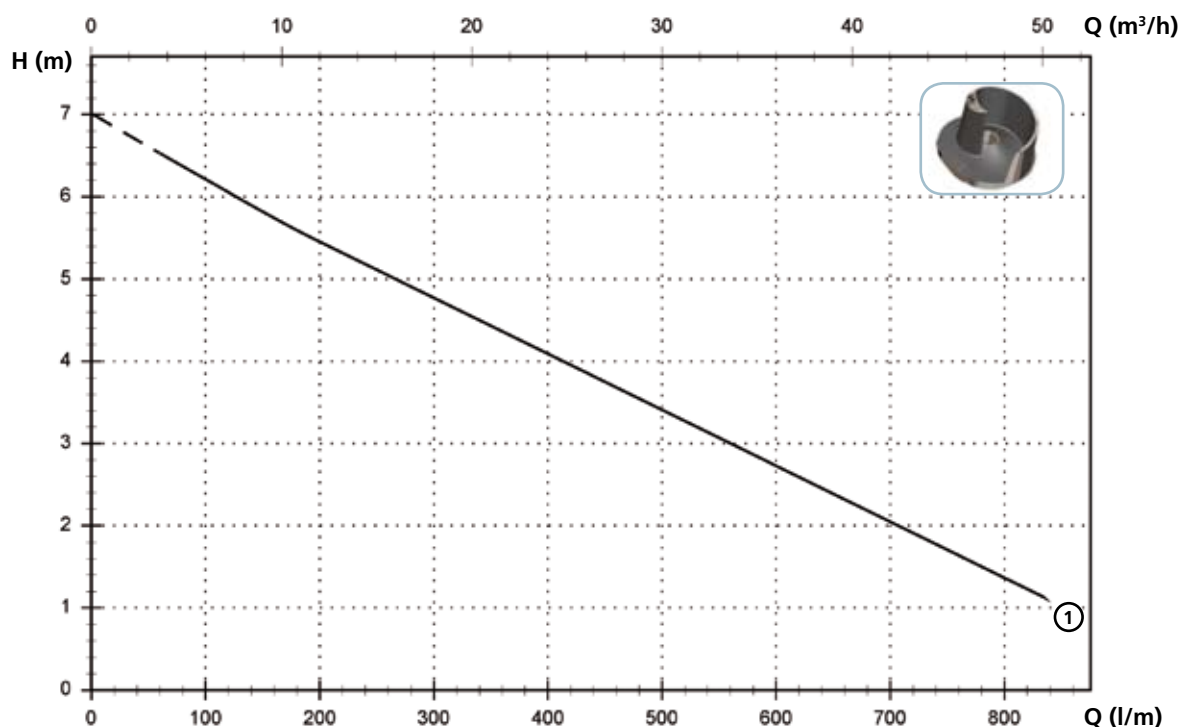
Free passage
Ample free passage allowing the expulsion of solids and preventing fouling of the impeller

MAI

Models with horizontal DN80 PN10-16 flanged delivery port - 4 poles

Performances

	l/s	0	2	4	6	8	10	12
	l/min	0	120	240	360	480	600	720
	m ³ /h	0	7,2	14,4	21,6	28,8	36,0	43,2
① MAI 100/4/80 A0CM/50		6,4	6,1	5,2	4,4	3,5	2,7	1,9



Technical data

	V	Phases	P1 (kW)	P2 (kW)	A	Rpm	Ø	Cable (*)	Free passage
① MAI 100/4/80 A0CM/50	230	1	1.1	0.74	5.5	1450	DN80 PN10-16	A	50 mm

	V	Phases	P1 (kW)	P2 (kW)	A	Rpm	Ø	Cable (*)	Free passage
① MAI 100/4/80 A0CT/50	400	3	1.2	0.74	2.3	1450	DN80 PN10-16	B	50 mm

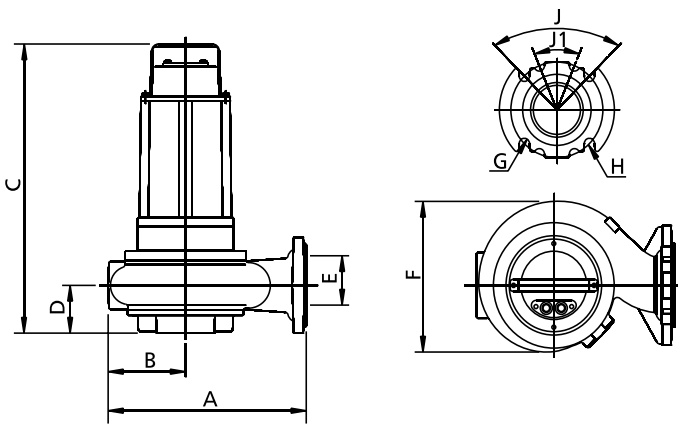
(*) A = H07RN-F 3G1 - 10 m with shuko plug
 B = H07RN-F 4G1 - 10 m

Versions available

(Key to versions on page 15)

	Electrical variants											Cooling		Mechanical seals					
	N A E	T C	T C D	T C D T	T C D G T	T C G	T C S T	T C S G T	T S	T R	T R G	F T	C G F T	N	CC	2SIC	SICM	SICAL	2SICAL
MAI 100/4/80 A0CM/50		●				●								●				●	
MAI 100/4/80 A0CT/50									●	●				●				●	

Overall dimensions and weights



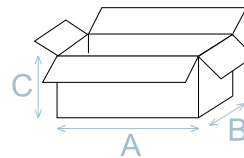
	A	B	C	D	E	F	G	H	J	J1	kg
MAI 100/4/80 A0CM(T)/50	345	135	485	80	80	255	18	160	90°	45°	42

Measurements in mm

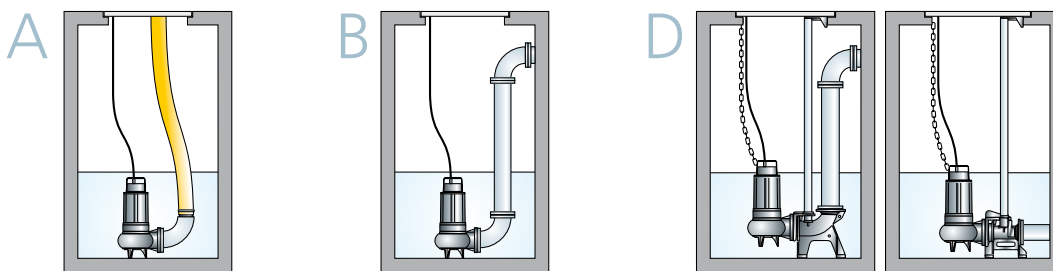
Packaging dimension

	A	B	C
MAI 100/4/80 A0CM(T)/50	725	445	415

Dimension in mm



Installations available



Dry installation available for specified models. Contact Custome Service for more information.

